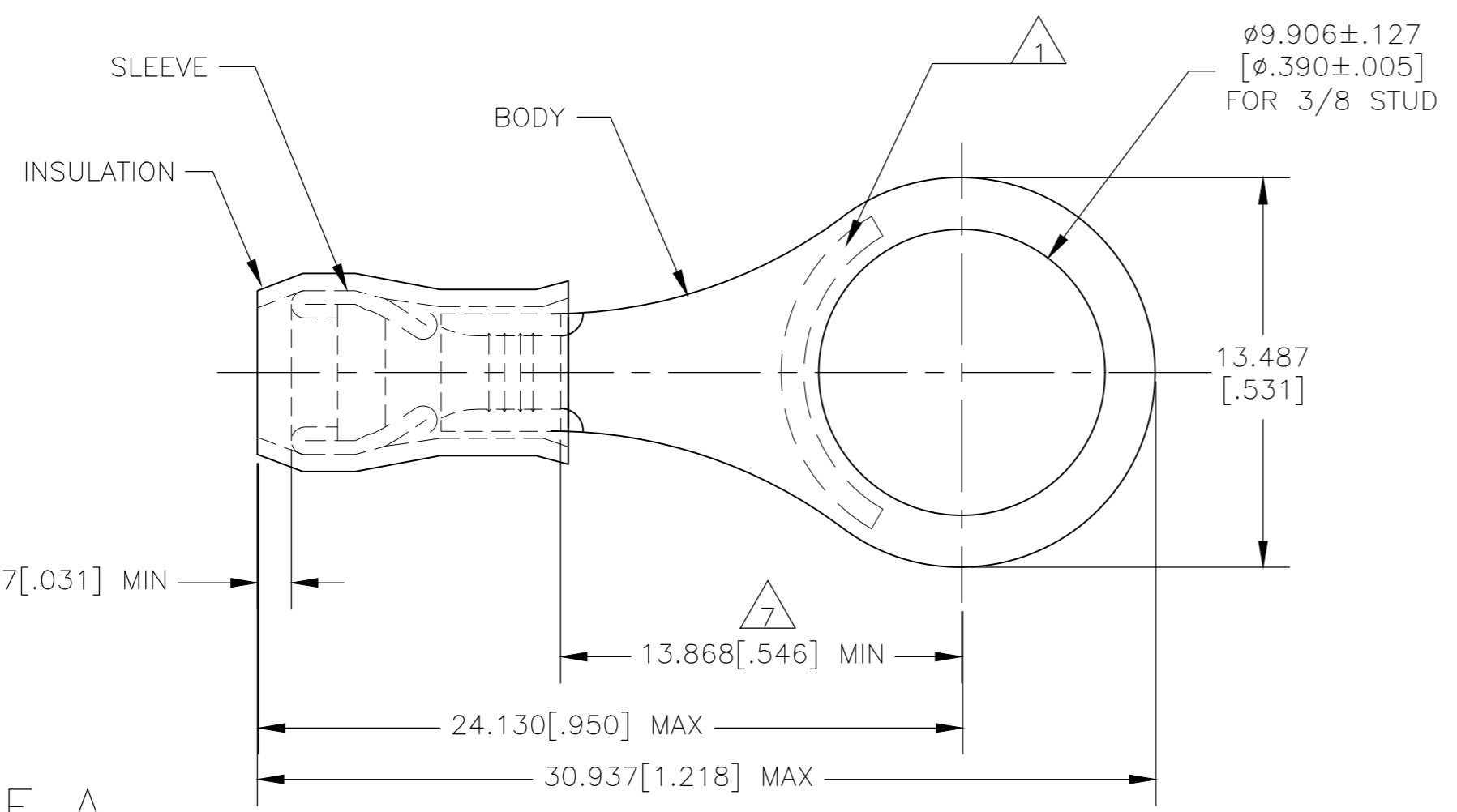
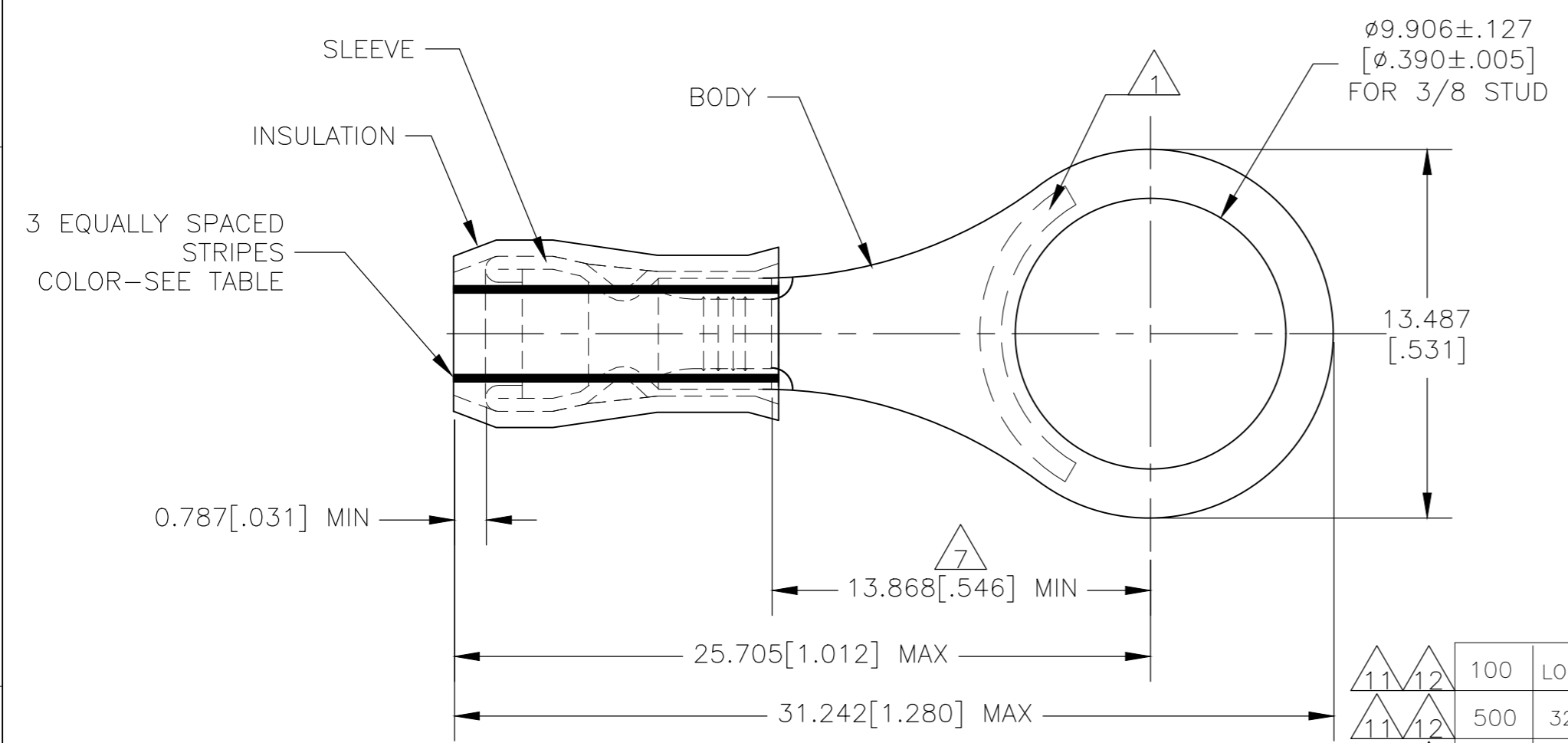


LOC	DIST	REVISIONS					
G	14	P	LTR	DESCRIPTION	DATE	DWN	APVD
		N1		REVISED PER ECO-19-007720	21MAY2020	KR	DR

AMP WIRE RANGE	E13288 Listed	LR7189 Certified
16-14 AWG SOLID OR STRANDED IR: STRANDED	16-14 AWG STRANDED	WIRE SIZE PER TABLE SOLID OR STRANDED IR: STRANDED



STYLE A



STYLE B
INSULATION RESTRICTING

- 1 STAMP "AMP - SEE TABLE" APPROX AS SHOWN.
- 2 WIRE INSULATION DIA: SEE TABLE.
- 3 BODY MATERIAL THK: 0.787[.031]±0.051[.002].
- 4 BODY: TIN PLATE 0.00254[.000100] MIN EXT THK PER ASTM B545.
- 5 SLEEVE: TIN PLATE 0.00254[.000100] MIN EXT THK PER ASTM B545.
- 6 BODY & SLEEVE- CU PER ASTM B152
INSULATION - NYLON PER ASTM D4066
- 7 APPLIES FROM EDGE OF METAL WIRE BARREL TO CENTER OF STUD HOLE.
- 8 MEETS MS25036-110, CLASS 1 & 2.
- 9 MEETS M7928/1-45, CLASS 1 & 2.
- 10 MEETS M7928/1-54, CLASS 1 & 2.
- 11 UL LISTED
- 12 CSA CERTIFIED

QTY	PACKAGE TYPE	STAMPING	WIRE INSUL DIA	WIRE SIZE	STRIPE COLOR	STYLE	BODY FINISH	SLEEVE FINISH	PART NO
100	LOOSE PIECE, BOX	16-14*	2.667[.105]-3.810[.150]	16-14	--	A			8-320564-1
500	320564 ON TAPE	16-14*	2.667[.105]-3.810[.150]	16-14	--	A			2-320564-3
500	LOOSE PIECE	14*	1.981[.078]-3.302[.130]	14	GREEN	B	4	5	2-320564-2
500	LOOSE PIECE	16*	1.600[.063]-3.302[.130]	16	BLUE	B			2-320564-1
500	LOOSE PIECE	16-14*	2.667[.105]-3.810[.150]	16-14	--	A			320564

CUSTOMER SERVICE SYSTEMS		MAX RECOMMENDED OPERATING TEMPERATURE: 105°C[221°F] MAX	THIS DRAWING IS A CONTROLLED DOCUMENT.		DWN JR RUTH 13JAN10	STE TE Connectivity			
FOR ADDITIONAL PRODUCT INFORMATION OR COPIES OF DRAWINGS AND TECHNICAL DOCUMENTS	PRODUCT INFORMATION CENTER 1-800-522-6752	VOLTAGE RATING: 300 VOLT MAX	DIMENSIONS: mm [INCHES]	TOLERANCES UNLESS OTHERWISE SPECIFIED:	CHK T MICHIELUTTI 13JAN10	NAME			
FOR APPLICATION	TOOLING ASSISTANCE CENTER	CIRCULAR MIL AREA: 1.04-2.62mm² [2,050-5,180] STRANDED OR SOLID		0 PLC ± - 1 PLC ± - 2 PLC ± - 3 PLC ± 0.127(.005) 4 PLC ± -	APVD T MICHIELUTTI 13JAN10	TERMINAL, RING TONGUE, PIDG, WIRE SIZE: 16-14 AWG PIDG IR 16 & 14 AWG			
TOOLING INFORMATION	1-800-722-1111		MATERIAL	FINISH SEE TABLE INSULATION: COLOR-BLUE	PRODUCT SPEC UL 486 A-B	SIZE A2	CAGE CODE 00779	DRAWING NO C-320564	RESTRICTED TO
FOR ORDER ENTRY	1-800-526-5142	THIS DRAWING IS A CONTROLLED DOCUMENT FOR AMP INCORPORATED. IT IS SUBJECT TO CHANGE AND THE CONTROLLING ENGINEERING ORGANIZATION SHOULD BE CONTACTED FOR THE LATEST REVISION.			APPLICATION SPEC 114-2157	WEIGHT			SCALE 5:1 SHEET 1 of 1 REV N1

X-ON Electronics

Largest Supplier of Electrical and Electronic Components

Click to view similar products for [Terminals](#) category:

Click to view products by [TE Connectivity](#) manufacturer:

Other Similar products are found below :

[00-054007-01074-6](#) [00-054007-70206-1](#) [00-054007-70210-8](#) [00-054007-70217-7](#) [00-054007-70226-9](#) [00-054007-70228-3](#) [00-054007-70248-1](#) [00-054007-70256-6](#) [00-054007-70301-3](#) [00-054007-70316-7](#) [0-0320562-0](#) [00-054007-49560-4](#) [00-054007-70209-2](#) [00-054007-70225-2](#) [00-054007-70227-6](#) [00-054007-70231-3](#) [00-054007-70241-2](#) [00-054007-70242-9](#) [00-054007-70244-3](#) [00-054007-70246-7](#) [00-054007-70263-4](#) [00-054007-70288-7](#) [00-054007-70290-0](#) [00-054007-70300-6](#) [00-054007-70304-4](#) [01-2065-1-0216](#) [01-2900-1-04412](#) [00581P0075](#) [600TS-10](#) [60205-1](#) [604200-1](#) [605601-1](#) [60598-1-CUT-TAPE](#) [61314-6-C](#) [61810-3](#) [61-S](#) [61-SN](#) [626-0194](#) [62-NBM-A](#) [62-SN](#) [62-SP](#) [63-S](#) [640179-1](#) [M55155/059I03](#) [M55155/079C01](#) [M55155/099H02](#) [M55155/109H01](#) [M55155/109H02](#) [M55155/12XH05](#) [M55155/16XH02](#)