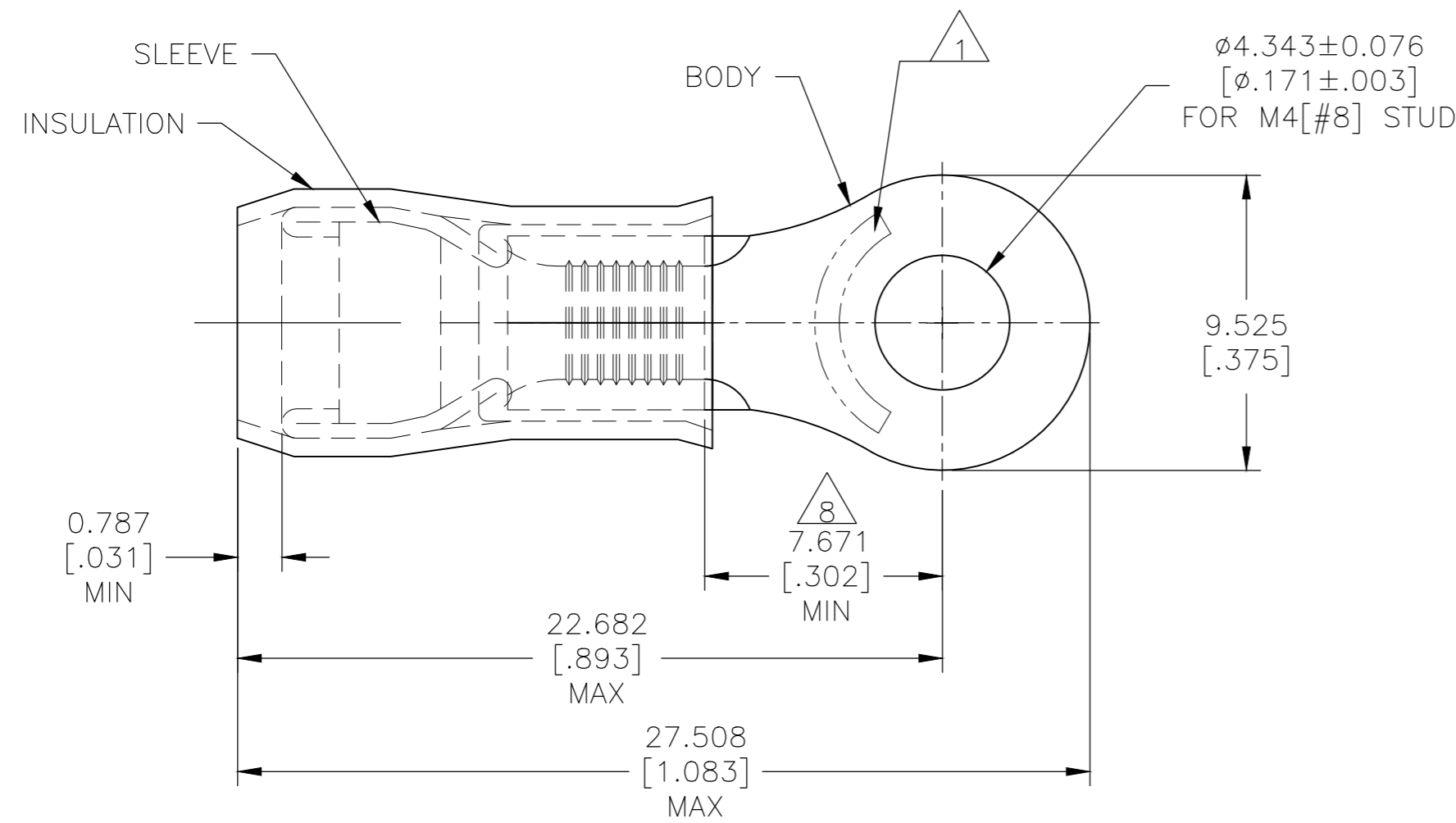
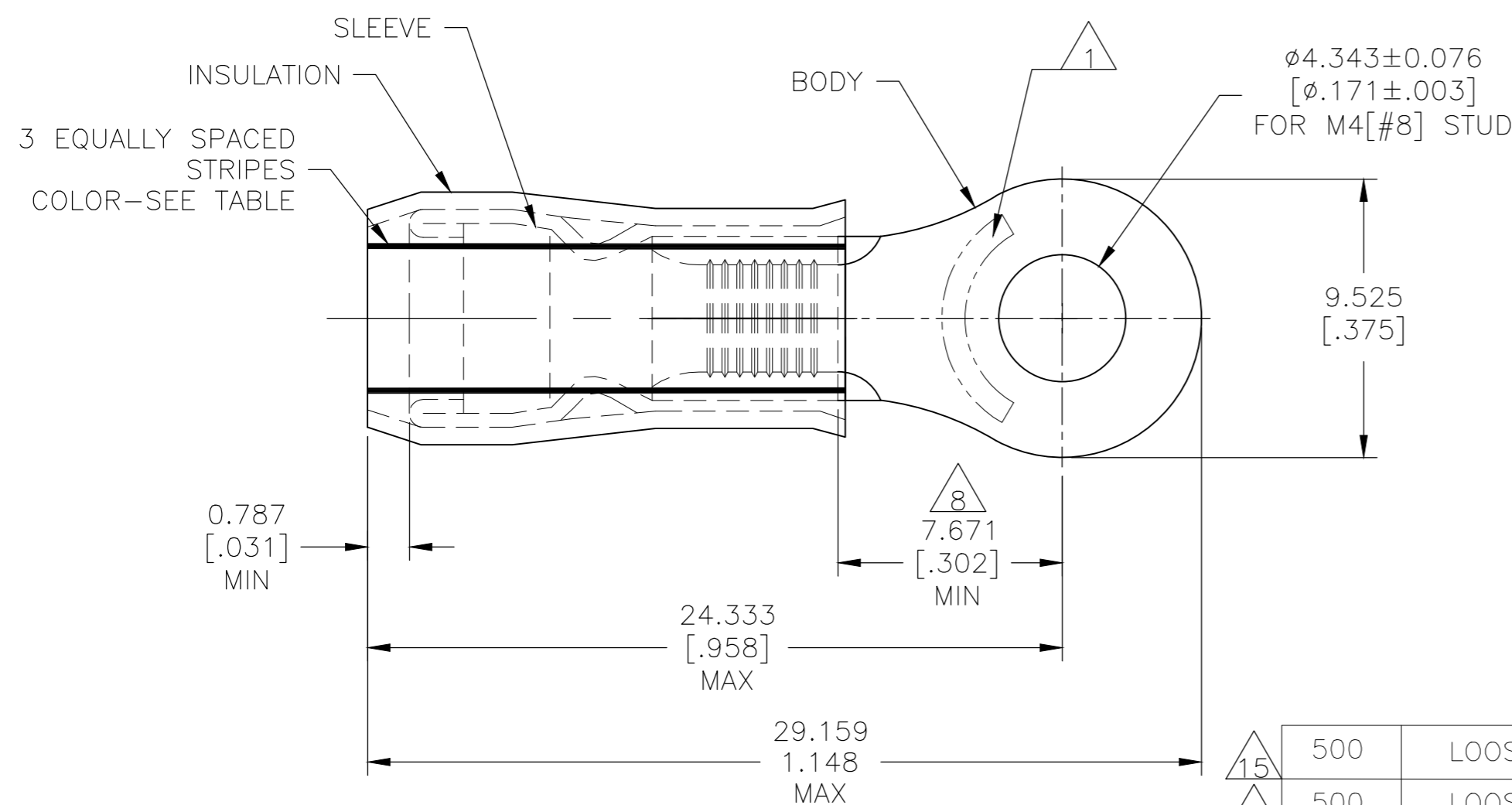


THIS DRAWING IS UNPUBLISHED. RELEASED FOR PUBLICATION  
 © COPYRIGHT - By - ALL RIGHTS RESERVED.

REVISIONS					
P	LTR	DESCRIPTION	DATE	DWN	APVD
U1		REVISED PER ECO-17-007400	05DEC2017	RS	DR
U2		REVISED PER ECO-19-007720	21MAY2020	KR	DR



STYLE "A"



STYLE "B"  
INSULATION RESTRICTING

<b>AMP</b> WIRE RANGE	E13288 Listed	LR7189 Certified
12-10 AWG SOLID OR STRANDED IR: STRANDED	12-10 AWG STRANDED	12-10 AWG SOLID OR STRANDED IR: STRANDED

- STAMP "AMP - SEE TABLE" APPROX AS SHOWN.
- WIRE INSULATION DIA: SEE TABLE .
- BODY MATERIAL THK: 1.016±0.051[.040±.002].
- FINISH:  
BODY: TIN PLATE 0.00254[.000100] MIN EXT THK PER ASTM B545.  
INSULATION: COLOR-YELLOW
- FINISH:  
SLEEVE: TIN PLATE 0.00254[.000100] MIN EXT THK PER ASTM B545.  
INSULATION: COLOR-YELLOW
- FINISH:  
SLEEVE: NICKEL PLATE PER SAE AMS QQ-N-290.  
INSULATION: COLOR-YELLOW
- MATERIAL:  
BODY & SLEEVE- CU PER ASTM B152  
INSULATION - NYLON PER ASTM D4066
- APPLIES FROM EDGE OF METAL WIRE BARREL TO CENTER OF STUD HOLE.
- MEETS MS25036-156, CLASS 1 & 2.
- MEETS MS25036-156, CLASS 2.
- MEETS M7928/1-57, CLASS 1 & 2.
- MEETS M7928/1-64, CLASS 1 & 2.
- NOTE DELETED.
- UL LISTED
- CSA CERTIFIED

QTY	PACKAGE TYPE	STAMPING	WIRE INSUL DIA	WIRE SIZE	STRIPE COLOR	STYLE	BODY FINISH	SLEEVE FINISH	PART NO
500	LOOSE PIECE	10*	3.023-5.080[.119-.200]	10	BROWN	B			2-320568-3
500	LOOSE PIECE	12*	2.413-5.080[.095-.200]	12	YELLOW	B			2-320568-2
2500	ON TAPE & REEL	12-10*	3.810-5.842[.150-.230]	12-10	--	A			2-320568-1
500	LOOSE PIECE	12-10*	3.810-5.842[.150-.230]	12-10	--	A			320568

<b>CUSTOMER SERVICE SYSTEMS</b>		MAX RECOMMENDED OPERATING TEMPERATURE: 105°C[221°F] MAX		THIS DRAWING IS A CONTROLLED DOCUMENT.		DWN JR RUTH 17DEC09		TE Connectivity	
FOR ADDITIONAL PRODUCT INFORMATION OR COPIES OF DRAWINGS AND TECHNICAL DOCUMENTS PRODUCT INFORMATION CENTER 1-800-522-6752		VOLTAGE RATING: 300 VOLT MAX		DIMENSIONS: mm [INCHES]		CHK T MICHIELUTTI 17DEC09			
FOR APPLICATION TOOLING INFORMATION TOOLING ASSISTANCE CENTER 1-800-722-1111		CIRCULAR MIL AREA: 2.62-6.64mm²[5,180-13,100] STRANDED OR SOLID		TOLERANCES UNLESS OTHERWISE SPECIFIED: 0 PLC ± - 1 PLC ± - 2 PLC ± - 3 PLC ± 0.127[.005] 4 PLC ± - ANGLES ± -		APVD T MICHIELUTTI 17DEC09		NAME TERMINAL, RING TONGUE, PIDG 12-10 AWG, PIDG IR 12 & 10 AWG	
FOR ORDER ENTRY 1-800-526-5142				MATERIAL		FINISH		PRODUCT SPEC UL 486 A-B	
						APPLICATION SPEC 114-2157		SIZE A2	
						WEIGHT -		CAGE CODE 00779	
						CUSTOMER DRAWING		DRAWING NO C-320568	
								RESTRICTED TO -	
								SCALE 5:1	
								SHEET 1 of 1	
								REV U2	

## X-ON Electronics

Largest Supplier of Electrical and Electronic Components

*Click to view similar products for [Terminals](#) category:*

*Click to view products by [TE Connectivity](#) manufacturer:*

Other Similar products are found below :

[00-054007-01074-6](#) [00-054007-70206-1](#) [00-054007-70210-8](#) [00-054007-70217-7](#) [00-054007-70226-9](#) [00-054007-70228-3](#) [00-054007-70248-1](#) [00-054007-70256-6](#) [00-054007-70301-3](#) [00-054007-70316-7](#) [00-054007-49560-4](#) [00-054007-70209-2](#) [00-054007-70225-2](#) [00-054007-70227-6](#) [00-054007-70231-3](#) [00-054007-70241-2](#) [00-054007-70242-9](#) [00-054007-70244-3](#) [00-054007-70246-7](#) [00-054007-70263-4](#) [00-054007-70288-7](#) [00-054007-70290-0](#) [00-054007-70300-6](#) [00-054007-70304-4](#) [01-2065-1-0216](#) [01-2900-1-04412](#) [00581P0075](#) [600TS-10](#) [60205-1](#) [604200-1](#) [605601-1](#) [60598-1-CUT-TAPE](#) [61314-6-C](#) [61810-3](#) [61-S](#) [61-SN](#) [626-0194](#) [62-NBM-A](#) [62-SN](#) [62-SP](#) [63-S](#) [640179-1](#) [M55155/059I03](#) [M55155/079C01](#) [M55155/099H02](#) [M55155/109H01](#) [M55155/109H02](#) [M55155/12XH05](#) [M55155/16XH02](#) [M55155/29-5S](#)