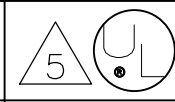
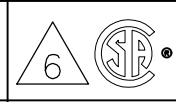
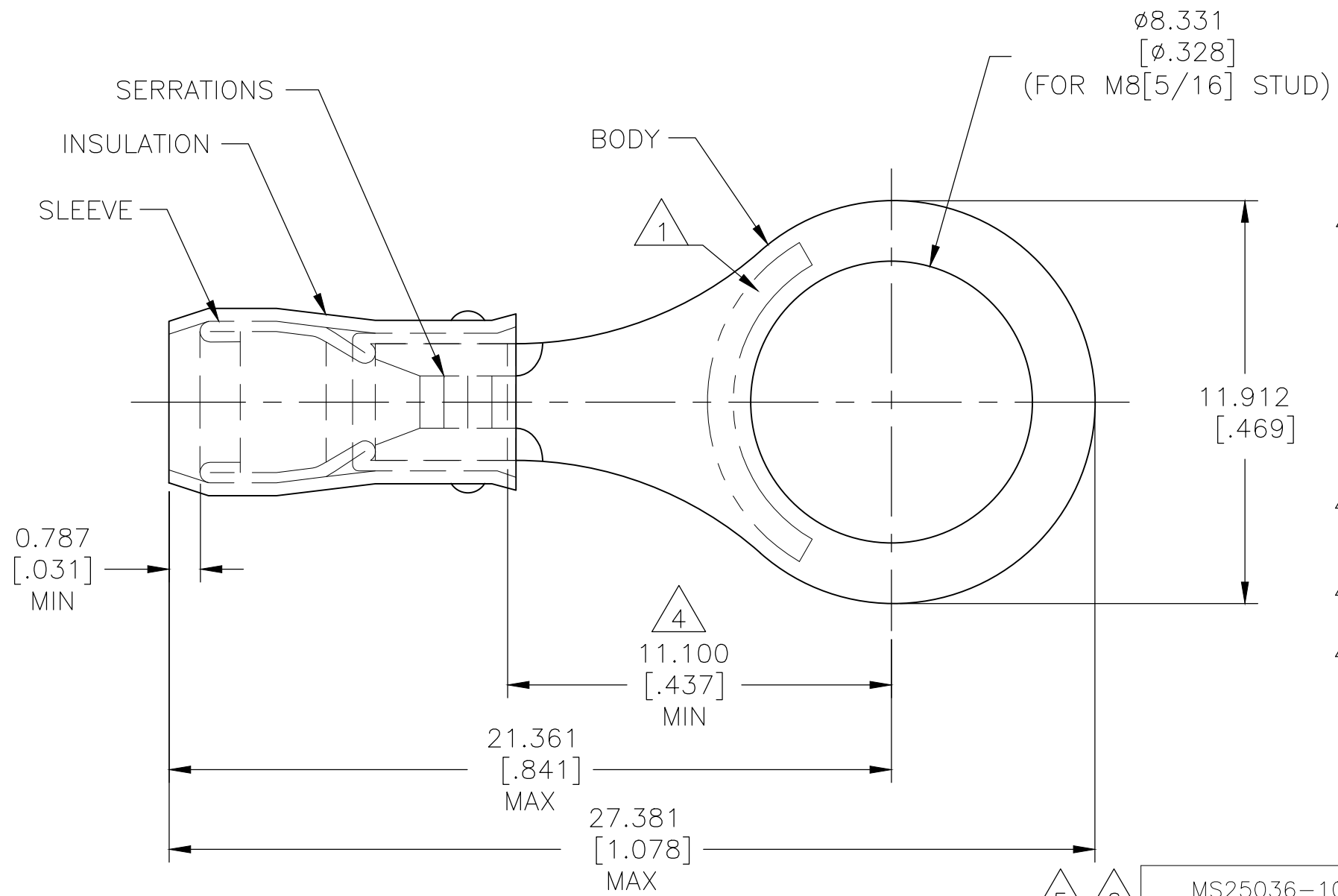




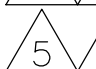

THIS DRAWING IS UNPUBLISHED. RELEASED FOR PUBLICATION
 © COPYRIGHT - By - ALL RIGHTS RESERVED.

REVISIONS					
P	LTR	DESCRIPTION	DATE	DWN	APVD
	AB1	REVISED PER ECO-17-007400	19DEC2017	RS	DR
	AB2	REVISED PER ECO-19-007720	21MAY2020	KR	DR


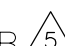
AMP WIRE RANGE	 E13288 Listed	 LR7189 Certified
22-16 AWG SOLID OR STRANDED	22-16 AWG STRANDED	22-16 AWG SOLID OR STRANDED



- 1 STAMP AMP 22-18* APPROX AS SHOWN
22-16 TERMINALS ARE STAMPED 22-18 IN
ACCORDANCE WITH MILITARY SPEC SAE AS7928
COMMERCIAL WIRE RANGE IS 22-16.
- 2 WIRE INSULATION : $\phi 2.032-3.175[\phi .080-.125]$.
- 3 BODY MATERIAL THK: $0.787\pm 0.051[.031\pm .002]$.
- 4 APPLIES FROM EDGE OF METAL WIRE BARREL
TO CENTER OF STUD HOLE.
- 5 UL LISTED
- 6 CSA CERTIFIED


 	MS25036-104 CLASS 2	5000	ON TAPE, REEL	2-320572-1
 	MS25036-104 CLASS 1 & 2	1000	LOOSE PIECE	320572
	MILITARY P/N AND CLASS	QUANTITY	PACKAGE TYPE	PART NO

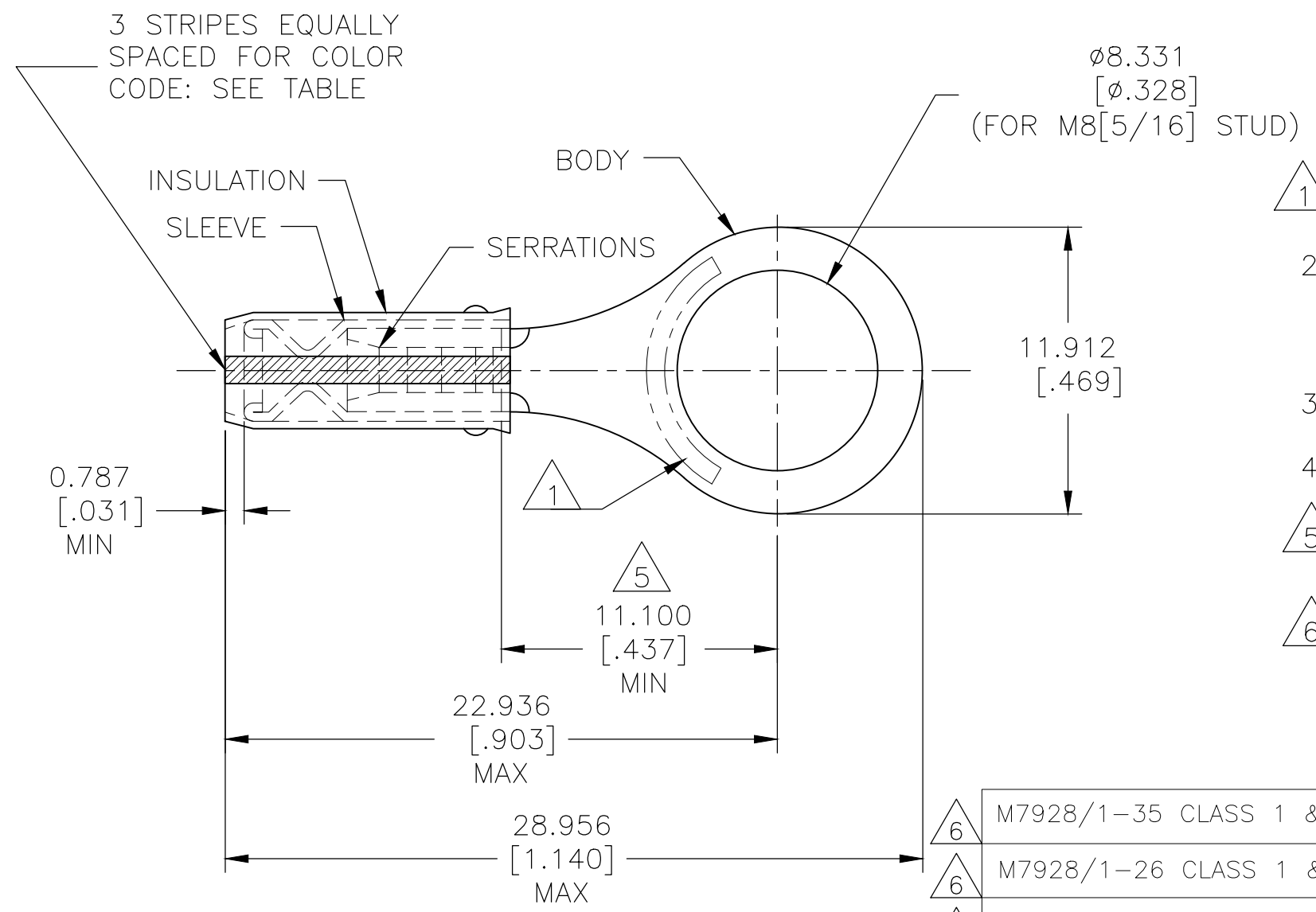
AMP INCORPORATED CUSTOMER SERVICE SYSTEMS		MAX RECOMMENDED OPERATING TEMPERATURE: 105°C[221°F] MAX
FOR ADDITIONAL PRODUCT INFORMATION OR COPIES OF DRAWINGS AND TECHNICAL DOCUMENTS	PRODUCT INFORMATION CENTER 1-800-522-6752	VOLTAGE RATING: 300 V MAX
FOR APPLICATION TOOLING INFORMATION	TOOLING ASSISTANCE CENTER 1-800-722-1111	CIRCULAR MIL AREA: 0.26-1.65mm ² [509-3,260] CIR MILS SOLID OR STRANDED
FOR ORDER ENTRY	1-800-526-5142	THIS DRAWING IS A CONTROLLED DOCUMENT FOR AMP INCORPORATED. IT IS SUBJECT TO CHANGE AND THE CONTROLLING ENGINEERING ORGANIZATION SHOULD BE CONTACTED FOR THE LATEST REVISION.

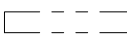
THIS DRAWING IS A CONTROLLED DOCUMENT.		DWN DK SCHRUM 9/8/93	 TE Connectivity	
DIMENSIONS: mm [INCHES]		CHK RE HERSEY 9/8/93		
TOLERANCES UNLESS OTHERWISE SPECIFIED:		APVD ML ELLIS 9/8/93	NAME TERMINAL, RING TONGUE, PIDG™, WIRE SIZE, 22-16 AWG	
0 PLC ± - 1 PLC ± - 2 PLC ± - 3 PLC ± 0.127[.005] 4 PLC ± - ANGLES ± -		PRODUCT SPEC UL 486 A-B 	APPLICATION SPEC 114-2157	RESTRICTED TO
MATERIAL BODY & SLEEVE COPPER PER ASTM B-152 INSULATION: NYLON		FINISH BODY & SLEEVE TIN PLATE PER ASTM B 545 INSULATION: COLOR-RED	WEIGHT -	SIZE A3
CUSTOMER DRAWING		CAGE CODE 00779	DRAWING NO C-320572	SCALE 6:1
		SHEET 1 OF 2	REV AB2	


THIS DRAWING IS UNPUBLISHED. RELEASED FOR PUBLICATION
 © COPYRIGHT - By - ALL RIGHTS RESERVED.

REVISIONS					
P	LTR	DESCRIPTION	DATE	DWN	APVD
-	-	SEE SHEET 1	-	-	-

AMP WIRE RANGE	 LR7189 Certified
SEE TABLE STRANDED	WIRE SIZE PER TABLE STRANDED



- 1 STAMP AMP  APPROX AS SHOWN SEE TABLE BELOW.
- 2 WIRE INSULATION : $\phi 0.965-2.794[\phi 0.038-.110]$ FOR 22 AWG
 $\phi 1.168-2.794[\phi 0.046-.110]$ FOR 20 AWG
 $\phi 1.422-2.794[\phi 0.056-.110]$ FOR 18 AWG.
- 3 BODY MATERIAL THK: $0.787 \pm 0.051[.031 \pm .002]$.
- 4 NOTE DELETED.
- 5 APPLIES FROM EDGE OF METAL WIRE BARREL TO CENTER OF STUD HOLE.
- 6 CSA CERTIFIED

6	M7928/1-35 CLASS 1 & 2	WHITE	18*	18	1000	LOOSE PIECE	2-320572-4
6	M7928/1-26 CLASS 1 & 2	RED	20*	20	1000	LOOSE PIECE	2-320572-3
6	M7928/1-17 CLASS 1 & 2	GREEN	22*	22	1000	LOOSE PIECE	2-320572-2
	MILITARY P/N AND CLASS	STRIPE COLOR	 STAMPING	WIRE SIZE	QUANTITY	PACKAGE TYPE	PART NO

AMP INCORPORATED
CUSTOMER SERVICE SYSTEMS

FOR ADDITIONAL PRODUCT INFORMATION OR COPIES OF DRAWINGS AND TECHNICAL DOCUMENTS
 PRODUCT INFORMATION CENTER
 1-800-522-6752

FOR APPLICATION TOOLING INFORMATION
 TOOLING ASSISTANCE CENTER
 1-800-722-1111

FOR ORDER ENTRY
 1-800-526-5142

MAX RECOMMENDED OPERATING TEMPERATURE:
 105°C[221°F] MAX

VOLTAGE RATING: 300 V MAX

WIRE RANGE:	CIRC MIL AREA
22	0.38mm ² [754]
20	0.60mm ² [1,186]
18	0.96mm ² [1,900]

STRANDED

THIS DRAWING IS A CONTROLLED DOCUMENT.

DIMENSIONS: mm [INCHES]

TOLERANCES UNLESS OTHERWISE SPECIFIED:

0 PLC	± -
1 PLC	± -
2 PLC	± -
3 PLC	± 0.127[.005]
4 PLC	± -
ANGLES	± -

MATERIAL: BODY & SLEEVE COPPER PER ASTM B-152 INSULATION: NYLON

FINISH: BODY & SLEEVE TIN PLATE PER ASTM B 545 INSULATION: COLOR-RED

DWN DK SCHRUM 9/8/93
 CHK RE HERSEY 9/8/93
 APVD ML ELLIS 9/8/93

STE TE Connectivity

NAME: TERMINAL, RING TONGUE, I.R., PIDG, WIRE SIZE: 22, 20 & 18 AWG

SIZE: A3 CAGE CODE: 00779 DRAWING NO: C-320572 RESTRICTED TO: -

WEIGHT: -

CUSTOMER DRAWING SCALE: 4:1 SHEET: 2 OF 2 REV: AB2

X-ON Electronics

Largest Supplier of Electrical and Electronic Components

Click to view similar products for [Terminals](#) category:

Click to view products by [TE Connectivity](#) manufacturer:

Other Similar products are found below :

[00-054007-01074-6](#) [00-054007-70206-1](#) [00-054007-70210-8](#) [00-054007-70217-7](#) [00-054007-70226-9](#) [00-054007-70228-3](#) [00-054007-70248-1](#) [00-054007-70256-6](#) [00-054007-70301-3](#) [00-054007-70316-7](#) [0-0320562-0](#) [00-054007-49560-4](#) [00-054007-70209-2](#) [00-054007-70225-2](#) [00-054007-70227-6](#) [00-054007-70231-3](#) [00-054007-70241-2](#) [00-054007-70242-9](#) [00-054007-70244-3](#) [00-054007-70246-7](#) [00-054007-70263-4](#) [00-054007-70288-7](#) [00-054007-70290-0](#) [00-054007-70300-6](#) [00-054007-70304-4](#) [01-2065-1-0216](#) [01-2900-1-04412](#) [00581P0075](#) [600TS-10](#) [60205-1](#) [604200-1](#) [605601-1](#) [60598-1-CUT-TAPE](#) [61314-6-C](#) [61810-3](#) [61-S](#) [61-SN](#) [626-0194](#) [62-NBM-A](#) [62-SN](#) [62-SP](#) [63-S](#) [640179-1](#) [M55155/059I03](#) [M55155/079C01](#) [M55155/099H02](#) [M55155/109H01](#) [M55155/109H02](#) [M55155/12XH05](#) [M55155/16XH02](#)