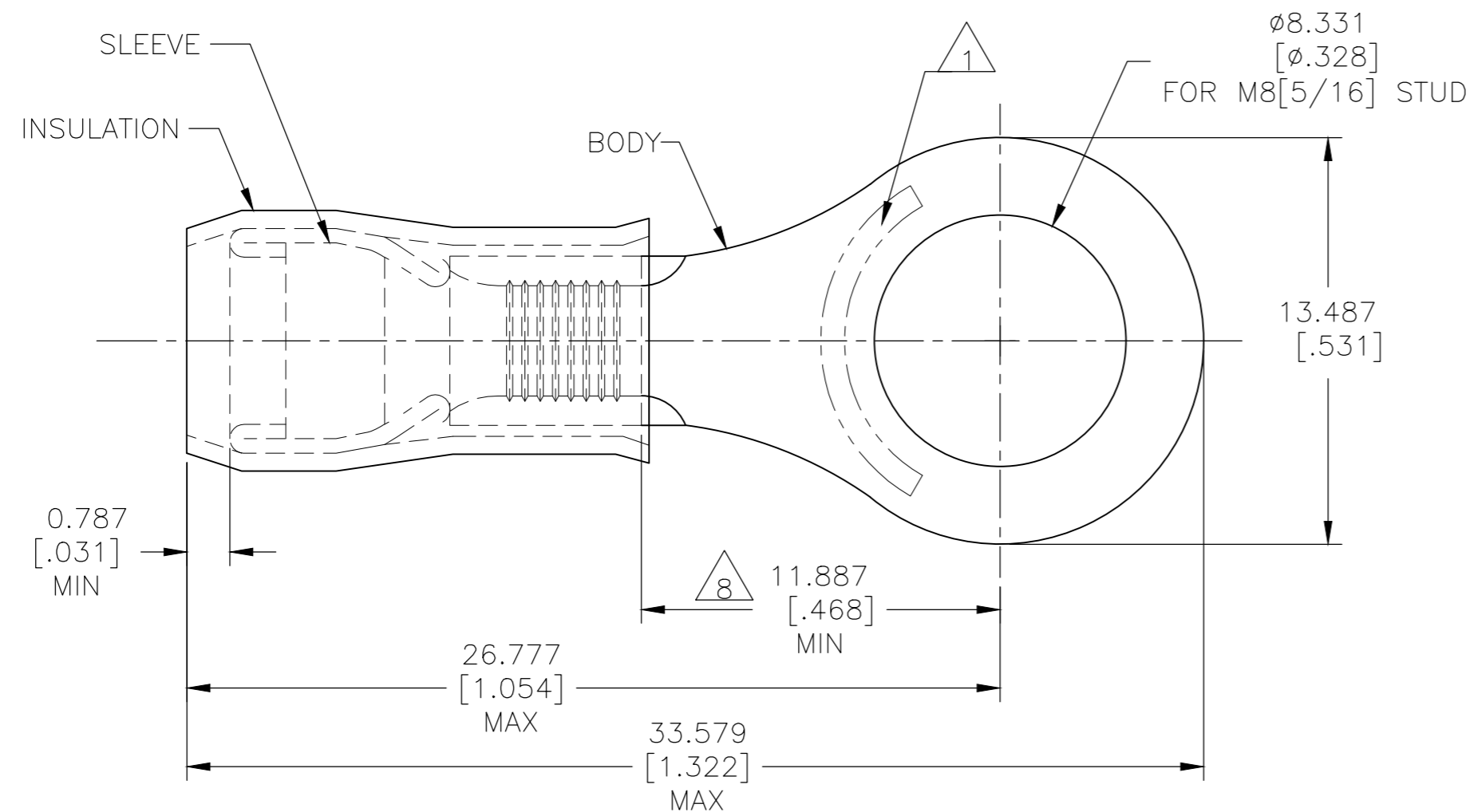
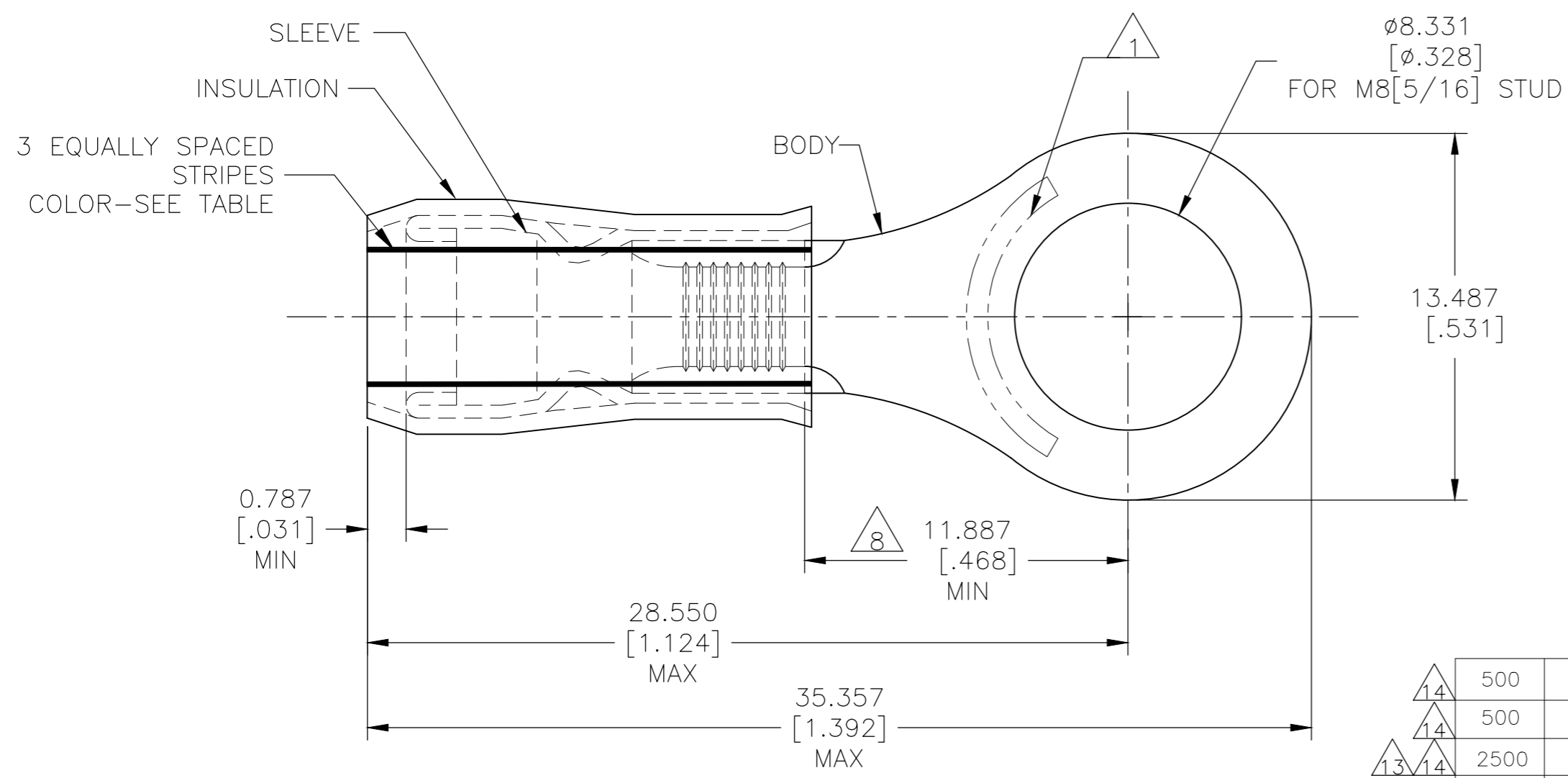


THIS DRAWING IS UNPUBLISHED. RELEASED FOR PUBLICATION
 © COPYRIGHT - By - ALL RIGHTS RESERVED.

REVISIONS					
P	LTR	DESCRIPTION	DATE	DWN	APVD
U1		REVISED PER ECO-17-007400	27NOV2017	RS	DR
U2		REVISED PER ECO-19-007720	21MAY2020	KR	DR



STYLE "A"



STYLE "B"
INSULATION RESTRICTING

AMP WIRE RANGE	Listed FILE E13288	LR7189 Certified
12-10 AWG SOLID OR STRANDED IR: STRANDED	12-10 AWG STRANDED	12-10 AWG SOLID OR STRANDED IR: STRANDED

- STAMP "AMP - SEE TABLE" APPROX AS SHOWN.
- WIRE INSULATION DIA: SEE TABLE.
- BODY MATERIAL THK: 1.016±0.051[.040±.002]
- FINISH:
BODY: TIN PLATE 0.00254[.000100] MIN EXT THK PER ASTM B545.
INSULATION: COLOR-YELLOW.
- FINISH:
SLEEVE: TIN PLATE 0.00254[.000100] MIN EXT THK PER ASTM B545.
INSULATION: COLOR-YELLOW.
- FINISH:
SLEEVE: NICKEL PLATE PER SAE AMS QQ-N-290.
INSULATION: COLOR-YELLOW.
- MATERIAL:
BODY & SLEEVE- CU PER ASTM B152
INSULATION - NYLON PER ASTM D4066
- APPLIES FROM EDGE OF METAL WIRE BARREL
TO CENTER OF STUD HOLE.
- MEETS MS25036-113, CLASS 1 & 2.
- MEETS MS25036-113, CLASS 2.
- MEETS M7928/1-60, CLASS 1 & 2.
- MEETS M7928/1-67, CLASS 1 & 2.
- UL LISTED
- CSA CERTIFIED

QTY	PACKAGE TYPE	STAMPING	WIRE INSUL DIA	WIRE SIZE	STRIPE COLOR	STYLE	BODY FINISH	SLEEVE FINISH	PART NO
500	LOOSE PIECE	10*	ø3.027-5.100[ø.119-.200]	10	BROWN	"B"			2-320576-3
500	LOOSE PIECE	12*	ø2.413-5.100[ø.095-.200]	12	YELLOW	"B"			2-320576-2
2500	ON TAPE & REEL	12-10*	ø3.810-5.842[ø.150-.230]	12-10	--	"A"			2-320576-1
500	LOOSE PIECE	12-10*	ø3.810-5.842[ø.150-.230]	12-10	--	"A"			320576

CUSTOMER SERVICE SYSTEMS		MAX RECOMMENDED OPERATING TEMPERATURE: 105°C[221°F] MAX		THIS DRAWING IS A CONTROLLED DOCUMENT.		DWN JR RUTH 23DEC09		TE Connectivity	
FOR ADDITIONAL PRODUCT INFORMATION OR COPIES OF DRAWINGS AND TECHNICAL DOCUMENTS 1-800-522-6752		PRODUCT INFORMATION CENTER		DIMENSIONS: mm [INCHES]		CHK T MICHIELUTTI 23DEC09		NAME	
FOR APPLICATION TOOLING INFORMATION 1-800-722-1111		TOOLING ASSISTANCE CENTER		TOLERANCES UNLESS OTHERWISE SPECIFIED: 0 PLC ± - 1 PLC ± - 2 PLC ± - 3 PLC ± 0.127[.005] 4 PLC ± - ANGLES ± -		APVD T MICHIELUTTI 23DEC09		PRODUCT SPEC UL486 A-B	
FOR ORDER ENTRY 1-800-526-5142		CIRCULAR MIL AREA: 2.62-6.64mm²[5,180-13,100] STRANDED OR SOLID		MATERIAL		APPLICATION SPEC 114-2157		TERMINAL, RING TONGUE, PIDG (12-10 AWG) PIDG IR (12 & 10 AWG)	
				FINISH		WEIGHT -		SIZE A2	
						CUSTOMER DRAWING		DRAWING NO 00779	
								RESTRICTED TO -	
								SCALE 5:1	
								SHEET 1 of 1	
								REV U2	

320576

X-ON Electronics

Largest Supplier of Electrical and Electronic Components

Click to view similar products for [Terminals](#) category:

Click to view products by [TE Connectivity](#) manufacturer:

Other Similar products are found below :

[00-054007-01074-6](#) [00-054007-70206-1](#) [00-054007-70210-8](#) [00-054007-70217-7](#) [00-054007-70226-9](#) [00-054007-70228-3](#) [00-054007-70248-1](#) [00-054007-70256-6](#) [00-054007-70301-3](#) [00-054007-70316-7](#) [0-0320562-0](#) [00-054007-49560-4](#) [00-054007-70209-2](#) [00-054007-70225-2](#) [00-054007-70227-6](#) [00-054007-70231-3](#) [00-054007-70241-2](#) [00-054007-70242-9](#) [00-054007-70244-3](#) [00-054007-70246-7](#) [00-054007-70263-4](#) [00-054007-70288-7](#) [00-054007-70290-0](#) [00-054007-70300-6](#) [00-054007-70304-4](#) [01-2065-1-0216](#) [01-2900-1-04412](#) [00581P0075](#) [600TS-10](#) [60205-1](#) [604200-1](#) [605601-1](#) [60598-1-CUT-TAPE](#) [61314-6-C](#) [61810-3](#) [61-S](#) [61-SN](#) [626-0194](#) [62-NBM-A](#) [62-SN](#) [62-SP](#) [63-S](#) [640179-1](#) [M55155/059I03](#) [M55155/079C01](#) [M55155/099H02](#) [M55155/109H01](#) [M55155/109H02](#) [M55155/12XH05](#) [M55155/16XH02](#)