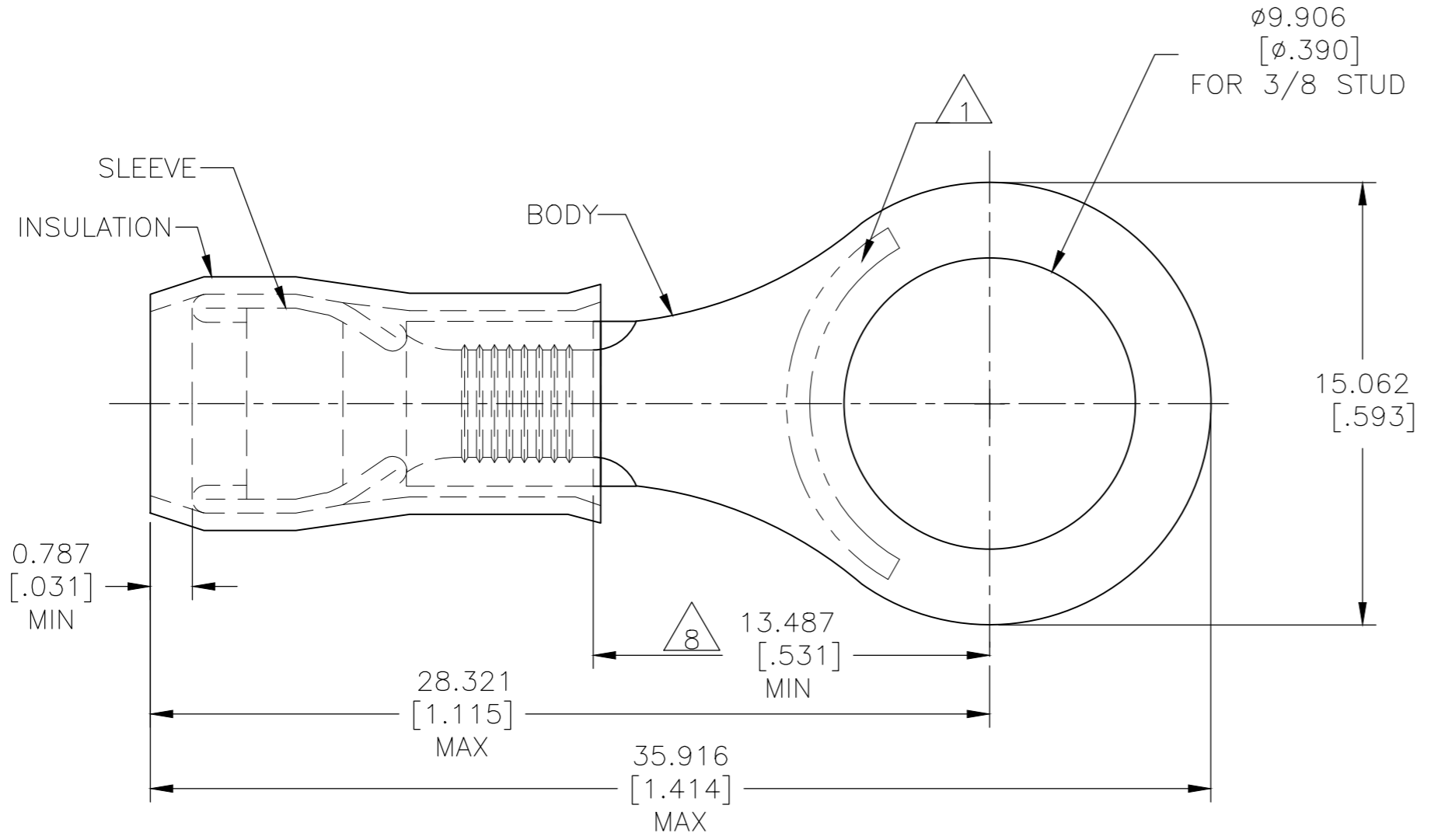
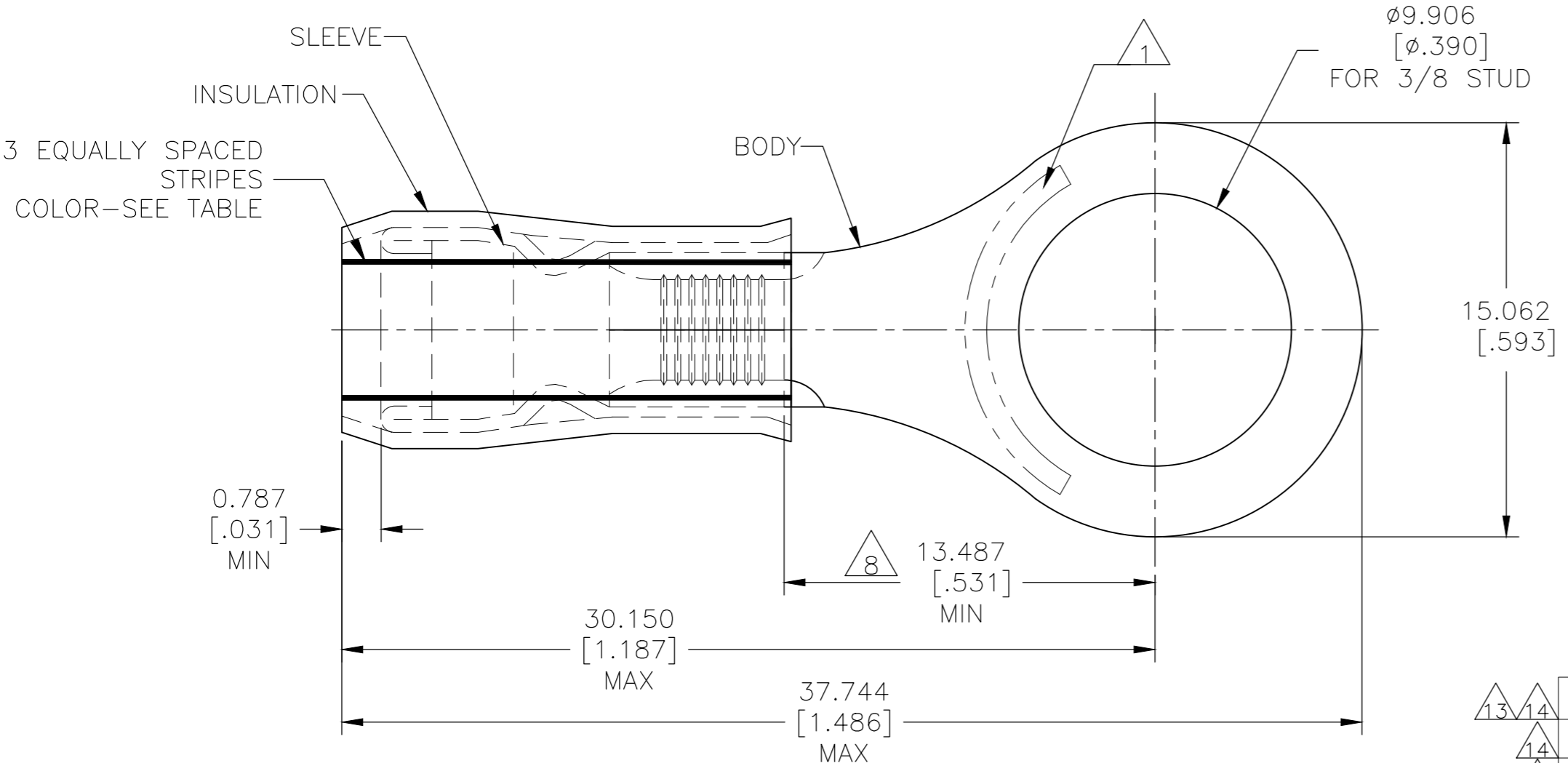


THIS DRAWING IS UNPUBLISHED. RELEASED FOR PUBLICATION  
 © COPYRIGHT - By - ALL RIGHTS RESERVED.

REVISIONS					
P	LTR	DESCRIPTION	DATE	DWN	APVD
P1		REVISED PER ECO-17-007400	27NOV2017	RS	DR
P2		REVISED PER ECO-19-007720	21MAY2020	KR	DR



STYLE "A"



STYLE "B"  
INSULATION RESTRICTING

<b>AMP</b> WIRE RANGE	Listed FILE E13288	LR7189 Certified
12-10 AWG SOLID OR STRANDED IR: STRANDED	12-10 AWG STRANDED	12-10 AWG SOLID OR STRANDED IR: STRANDED

- STAMP "AMP - SEE TABLE" APPROX AS SHOWN
- 2 WIRE INSULATION DIA: SEE TABLE.
- 3 BODY MATERIAL THK: 1.016±0.051[.040±.002]
- FINISH:  
BODY: TIN PLATE 0.00254[.000100] MIN EXT THK PER ASTM B545.  
INSULATION: COLOR-YELLOW.
- FINISH:  
SLEEVE: TIN PLATE 0.00254[.000100] MIN EXT THK PER ASTM B545.  
INSULATION: COLOR-YELLOW.
- FINISH:  
SLEEVE: NICKEL PLATE PER QQ-N-290.  
INSULATION: COLOR-YELLOW.
- MATERIAL:  
BODY & SLEEVE- CU PER ASTM B152  
INSULATION - NYLON PER ASTM D4066.
- APPLIES FROM EDGE OF METAL WIRE BARREL  
TO CENTER OF STUD HOLE.
- MEETS MS25036-114, CLASS 1 & 2.
- MEETS MS25036-114, CLASS 2.
- MEETS M7928/1-61, CLASS 1 & 2.
- MEETS M7928/1-68, CLASS 1 & 2.
- UL LISTED
- CSA CERTIFIED

QTY	PACKAGE TYPE	STAMPING	WIRE INSUL DIA	WIRE SIZE	STRIPE COLOR	STYLE	BODY FINISH	SLEEVE FINISH	PART NO
1000	ON TAPE & REEL	12-10*	Ø3.810-5.842[Ø.150-.230]	12-10	---	"A"			2-320577-3
500	LOOSE PIECE	10*	Ø3.027-5.100[Ø.119-.200]	10	BROWN	"B"			2-320577-2
500	LOOSE PIECE	12*	Ø2.413-5.100[Ø.095-.200]	12	YELLOW	"B"			2-320577-1
500	LOOSE PIECE	12-10*	Ø3.810-5.842[Ø.150-.230]	12-10	---	"A"			320577

<b>CUSTOMER SERVICE SYSTEMS</b>		MAX RECOMMENDED OPERATING TEMPERATURE: 105°C[221°F] MAX		THIS DRAWING IS A CONTROLLED DOCUMENT.		DWN JR RUTH 23DEC09		TE Connectivity		
FOR ADDITIONAL PRODUCT INFORMATION OR COPIES OF DRAWINGS AND TECHNICAL DOCUMENTS	PRODUCT INFORMATION CENTER 1-800-522-6752	VOLTAGE RATING: 300 VOLT MAX	DIMENSIONS: mm [INCHES]		TOLERANCES UNLESS OTHERWISE SPECIFIED: 0 PLC ± - 1 PLC ± - 2 PLC ± - 3 PLC ± 0.127[.005] 4 PLC ± - ANGLES ± -		CHK T MICHIELUTTI 23DEC09		NAME T MICHIELUTTI 23DEC09	
FOR APPLICATION TOOLING INFORMATION	TOOLING ASSISTANCE CENTER 1-800-722-1111	CIRCULAR MIL AREA: 2.62-6.64mm²[5,180-13,100] STRANDED OR SOLID			MATERIAL		APVD T MICHIELUTTI 23DEC09		PRODUCT SPEC UL 486 A-B	
FOR ORDER ENTRY	1-800-526-5142						APPLICATION SPEC 114-2157		TERMINAL, RING TONGUE, PIDG (12-10 AWG) PIDG IR (12 & 10 AWG)	
							WEIGHT -		SIZE A2	
							CAGE CODE 00779		DRAWING NO C-320577	
							CUSTOMER DRAWING		RESTRICTED TO -	
							SCALE 5:1		SHEET 1 of 1	
									REV P2	

320577

A

## X-ON Electronics

Largest Supplier of Electrical and Electronic Components

*Click to view similar products for [Terminals](#) category:*

*Click to view products by [TE Connectivity](#) manufacturer:*

Other Similar products are found below :

[00-054007-01074-6](#) [00-054007-70206-1](#) [00-054007-70210-8](#) [00-054007-70217-7](#) [00-054007-70226-9](#) [00-054007-70228-3](#) [00-054007-70248-1](#) [00-054007-70256-6](#) [00-054007-70301-3](#) [00-054007-70316-7](#) [00-054007-49560-4](#) [00-054007-70209-2](#) [00-054007-70225-2](#) [00-054007-70227-6](#) [00-054007-70231-3](#) [00-054007-70241-2](#) [00-054007-70242-9](#) [00-054007-70244-3](#) [00-054007-70246-7](#) [00-054007-70263-4](#) [00-054007-70288-7](#) [00-054007-70290-0](#) [00-054007-70300-6](#) [00-054007-70304-4](#) [01-2065-1-0216](#) [01-2900-1-04412](#) [00581P0075](#) [600TS-10](#) [60205-1](#) [604200-1](#) [605601-1](#) [60598-1-CUT-TAPE](#) [61314-6-C](#) [61810-3](#) [61-S](#) [61-SN](#) [626-0194](#) [62-NBM-A](#) [62-SN](#) [62-SP](#) [63-S](#) [640179-1](#) [M55155/059I03](#) [M55155/079C01](#) [M55155/099H02](#) [M55155/109H01](#) [M55155/109H02](#) [M55155/12XH05](#) [M55155/16XH02](#) [M55155/29-5S](#)