

THIS DRAWING IS UNPUBLISHED. RELEASED FOR PUBLICATION
 © COPYRIGHT - By - ALL RIGHTS RESERVED.

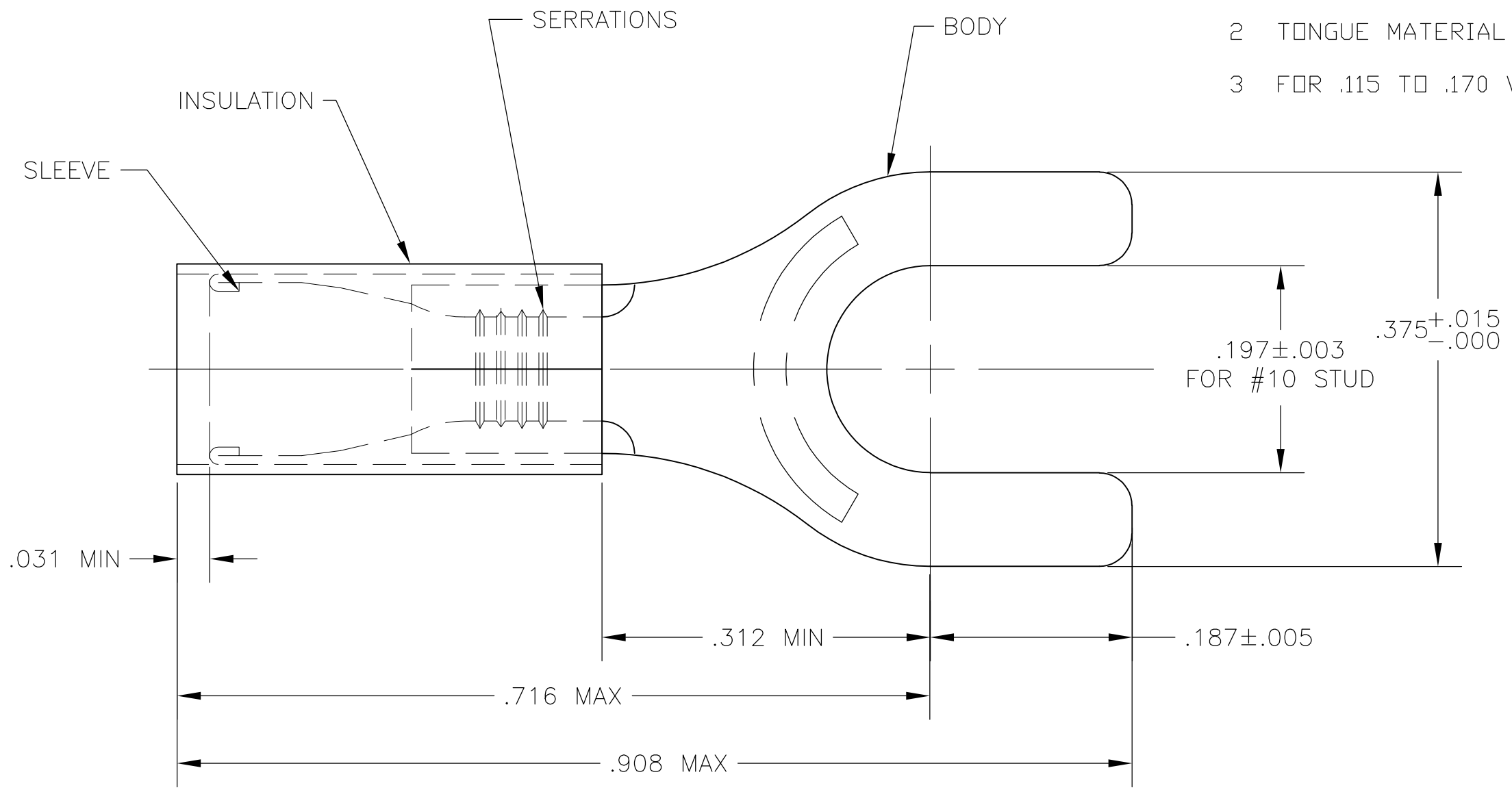
LOC	DIST	REVISIONS					
		P	LTR	DESCRIPTION	DATE	DWN	APVD
G	14		H1	REVISED PER ECO-11-004917	11MAR11	RK	HMR

PART NO	PACKAGE TYPE	QTY
8-32060-1	LOOSE PIECE, BOX	100

1 MATERIAL: BODY & SLEEVE - COPPER PER ASTM B152
 TIN PLATE PER ASTM B545
 INSULATION - NYLON, COLOR- BLUE

2 TONGUE MATERIAL THK IS .031±.002

3 FOR .115 TO .170 WIRE INSULATION DIA.



QTY	DESCRIPTION	PART NO
1	32060 ON TAPE	2-32060-1
1	WIRE TERMINAL	32060

THIS DRAWING IS A CONTROLLED DOCUMENT.		DWN	jr_ruth	10NOV04
DIMENSIONS: INCHES		CHK	T MICHELUTTI	10NOV04
TOLERANCES UNLESS OTHERWISE SPECIFIED:		APVD	T MICHELUTTI	10NOV04
0 PLC ± -		PRODUCT SPEC	-	
1 PLC ± -		APPLICATION SPEC	-	
2 PLC ± -		WEIGHT	-	
3 PLC ± .008		CUSTOMER DRAWING		
4 PLC ± -		SCALE	8:1	
ANGLES ± 5°		SHEET	1 OF 1	
MATERIAL	1	FINISH	1	

STE TE Connectivity			
NAME WIRE TERMINAL, PIDG - SPADE, WIRE SIZE : 16-14			
SIZE	CAGE CODE	DRAWING NO	RESTRICTED TO
A3	00779	C-32060	-
SCALE		REV	
8:1		H1	

X-ON Electronics

Largest Supplier of Electrical and Electronic Components

Click to view similar products for [Terminals](#) category:

Click to view products by [TE Connectivity](#) manufacturer:

Other Similar products are found below :

[00-054007-01074-6](#) [00-054007-70206-1](#) [00-054007-70210-8](#) [00-054007-70217-7](#) [00-054007-70226-9](#) [00-054007-70228-3](#) [00-054007-70248-1](#) [00-054007-70256-6](#) [00-054007-70301-3](#) [00-054007-70316-7](#) [00-054007-49560-4](#) [00-054007-70209-2](#) [00-054007-70225-2](#) [00-054007-70227-6](#) [00-054007-70231-3](#) [00-054007-70241-2](#) [00-054007-70242-9](#) [00-054007-70244-3](#) [00-054007-70246-7](#) [00-054007-70263-4](#) [00-054007-70288-7](#) [00-054007-70290-0](#) [00-054007-70300-6](#) [00-054007-70304-4](#) [01-2065-1-0216](#) [01-2900-1-04412](#) [00581P0075](#) [600TS-10](#) [60205-1](#) [604200-1](#) [605601-1](#) [60598-1-CUT-TAPE](#) [61314-6-C](#) [61810-3](#) [61-S](#) [61-SN](#) [626-0194](#) [62-NBM-A](#) [62-SN](#) [62-SP](#) [63-S](#) [640179-1](#) [M55155/059I03](#) [M55155/079C01](#) [M55155/099H02](#) [M55155/109H01](#) [M55155/109H02](#) [M55155/12XH05](#) [M55155/16XH02](#) [M55155/29-5S](#)