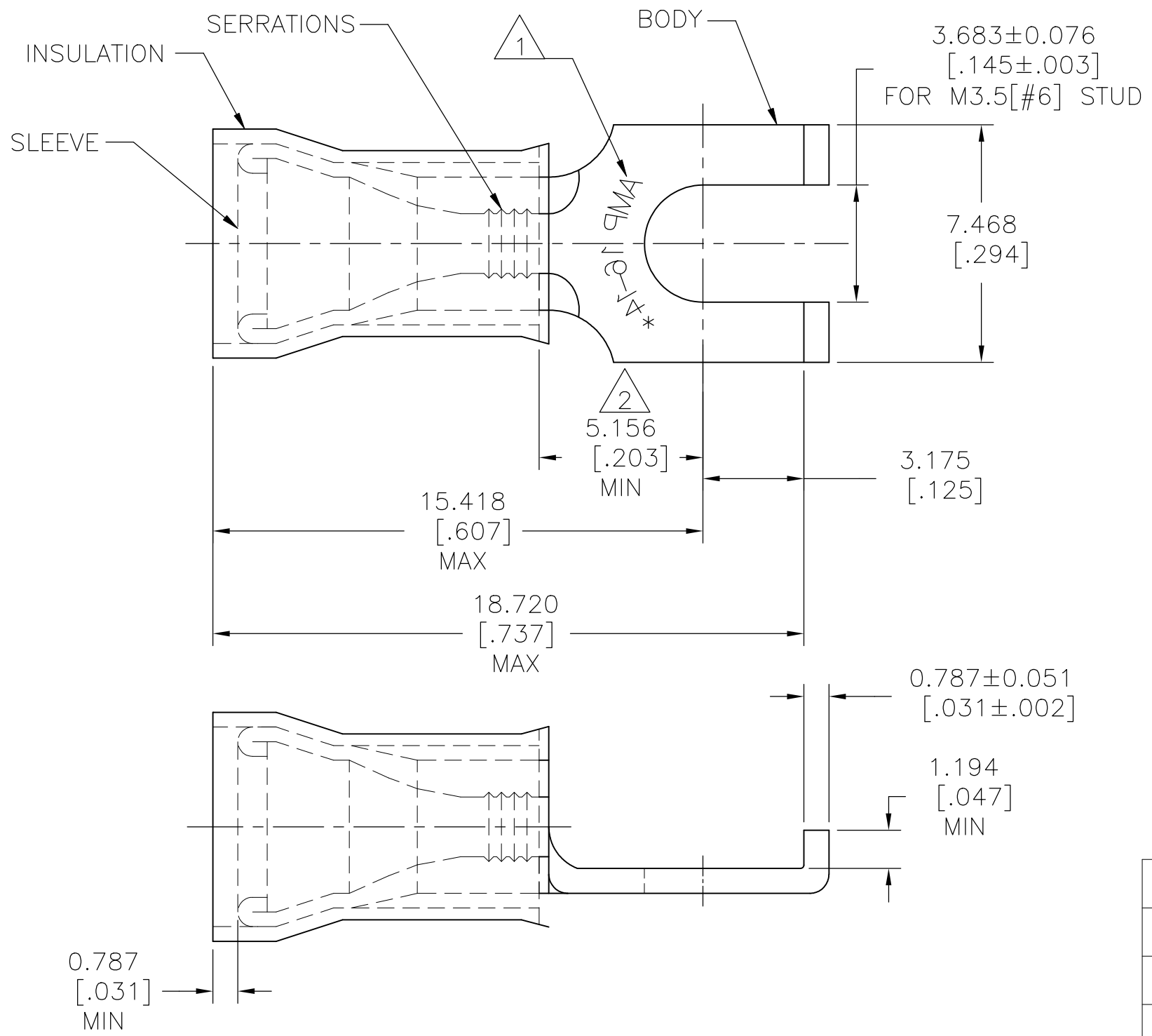


| REVISIONS | | | | |
|-----------|-----|---------------------------|-----------|-------|
| P | LTR | DESCRIPTION | DATE | APVD |
| P2 | | REVISED PER ECO-17-008114 | 13JUN2018 | RS DR |



| | | |
|--------------------------------|--------------------------------|--------------------------------|
| AMP WIRE RANGE | E13288 Listed | LR7189 Certified |
| 16-14 AWG SOLID OR STRANDED | 16-14 AWG SOLID OR STRANDED | 16-14 AWG SOLID OR STRANDED |

- 1 STAMP AMP 16-14* APPROX AS SHOWN
- 2 APPLIES FROM EDGE OF METAL WIRE BARREL TO CENTER OF STUD
- 3 MATERIAL:
BODY & SLEEVE: COPPER PER ASTM B152
INSULATION: NYLON
- 4 FINISH:
BODY & SLEEVE: TIN PL PER ASTM B545
INSULATION: COLOR - BLUE

| QTY | PACKAGE TYPE | WIRE INS. DIA. | PART NO |
|------|---------------|----------------------------|------------|
| 100 | LOOSE PC, BOX | 2.921[.115] TO 4.318[.170] | 8-320861-1 |
| 1000 | LOOSE PIECE | 2.667[.105] TO 3.810[.150] | 2-320861-2 |
| 5000 | ON TAPE, REEL | 2.921[.115] TO 4.318[.170] | 2-320861-1 |
| 1000 | LOOSE PIECE | 2.921[.115] TO 4.318[.170] | 320861 |

AMP INCORPORATED
CUSTOMER SERVICE SYSTEMS

| | |
|--|--|
| FOR ADDITIONAL PRODUCT INFORMATION OR COPIES OF DRAWINGS AND TECHNICAL DOCUMENTS | PRODUCT INFORMATION CENTER 1-800-522-6752 |
| FOR APPLICATION TOOLING INFORMATION | TOOLING ASSISTANCE CENTER 1-800-722-1111 |
| FOR ORDER ENTRY | 1-800-526-5142 |

| |
|---|
| MAX RECOMMENDED OPERATING TEMPERATURE: 105°C[221°F] |
| VOLTAGE RATING: 300 V MAX |
| WIRE CROSS SECTIONAL AREA RANGE, 1.04-2.62mm²[2,050-5,180] CIR MILS SOLID OR STRANDED |

| | |
|--|--|
| THIS DRAWING IS A CONTROLLED DOCUMENT. | |
| DIMENSIONS: mm [INCHES] | TOLERANCES UNLESS OTHERWISE SPECIFIED: |
| | 0 PLC ± - |
| | 1 PLC ± - |
| | 2 PLC ± - |
| | 3 PLC ± 0.127[.005] |
| | 4 PLC ± - |
| MATERIAL | FINISH |
| 3 | 4 |

| | | |
|-------------------------------|---|---------------|
| DWN RAVI S 13JUN2018 | TE Connectivity Ltd. | |
| CHK ROHDE DANIEL F 13JUN2018 | NAME | |
| APVD ROHDE DANIEL F 13JUN2018 | TERMINAL, P.I.D.G. NYLON FLANGED SPADE WIRE SIZE: 16-14 AWG | |
| PRODUCT SPEC | UL 486 A-B | RESTRICTED TO |
| APPLICATION SPEC | 114-2157 | |
| WEIGHT | A3 00779 | |
| CUSTOMER DRAWING | C-320861 | |
| SCALE NTS | SHEET 1 OF 1 | REV P2 |

X-ON Electronics

Largest Supplier of Electrical and Electronic Components

Click to view similar products for [Terminals](#) category:

Click to view products by [TE Connectivity](#) manufacturer:

Other Similar products are found below :

[00-054007-01074-6](#) [00-054007-70206-1](#) [00-054007-70210-8](#) [00-054007-70217-7](#) [00-054007-70226-9](#) [00-054007-70228-3](#) [00-054007-70248-1](#) [00-054007-70256-6](#) [00-054007-70301-3](#) [00-054007-70316-7](#) [00-054007-49560-4](#) [00-054007-70209-2](#) [00-054007-70225-2](#) [00-054007-70227-6](#) [00-054007-70231-3](#) [00-054007-70241-2](#) [00-054007-70242-9](#) [00-054007-70244-3](#) [00-054007-70246-7](#) [00-054007-70263-4](#) [00-054007-70288-7](#) [00-054007-70290-0](#) [00-054007-70300-6](#) [00-054007-70304-4](#) [01-2065-1-0216](#) [01-2900-1-04412](#) [00581P0075](#) [600TS-10](#) [60205-1](#) [604200-1](#) [605601-1](#) [60598-1-CUT-TAPE](#) [61314-6-C](#) [61810-3](#) [61-S](#) [61-SN](#) [626-0194](#) [62-NBM-A](#) [62-SN](#) [62-SP](#) [63-S](#) [640179-1](#) [M55155/059I03](#) [M55155/079C01](#) [M55155/099H02](#) [M55155/109H01](#) [M55155/109H02](#) [M55155/12XH05](#) [M55155/16XH02](#) [M55155/29-5S](#)