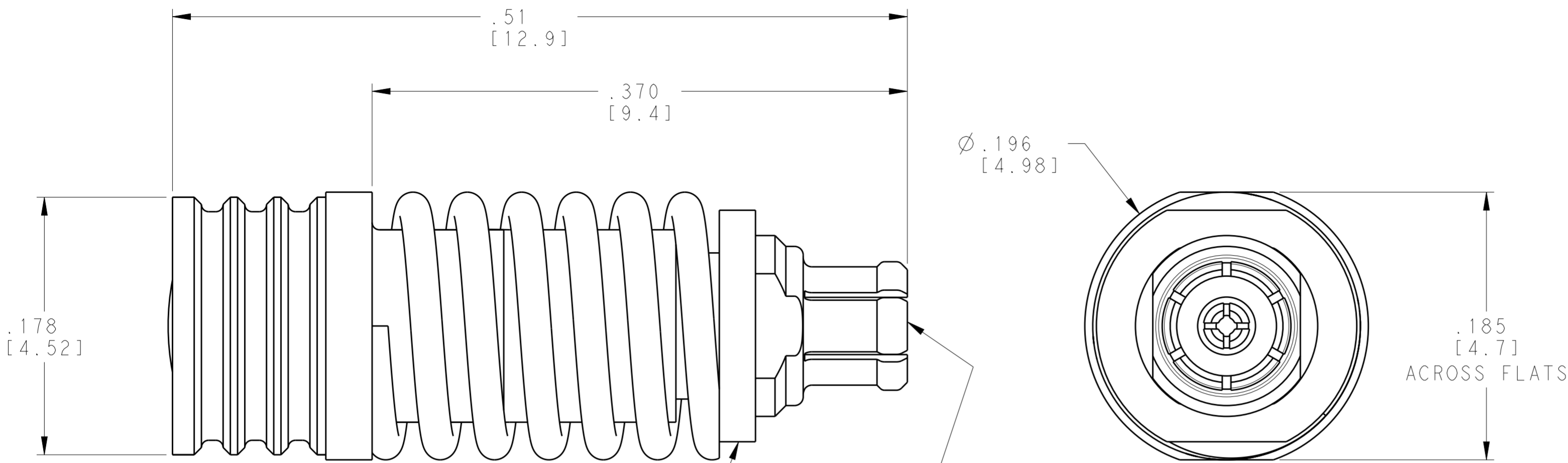


THIS DRAWING IS UNPUBLISHED. RELEASED FOR PUBLICATION 20  
 © COPYRIGHT BY ALL RIGHTS RESERVED.

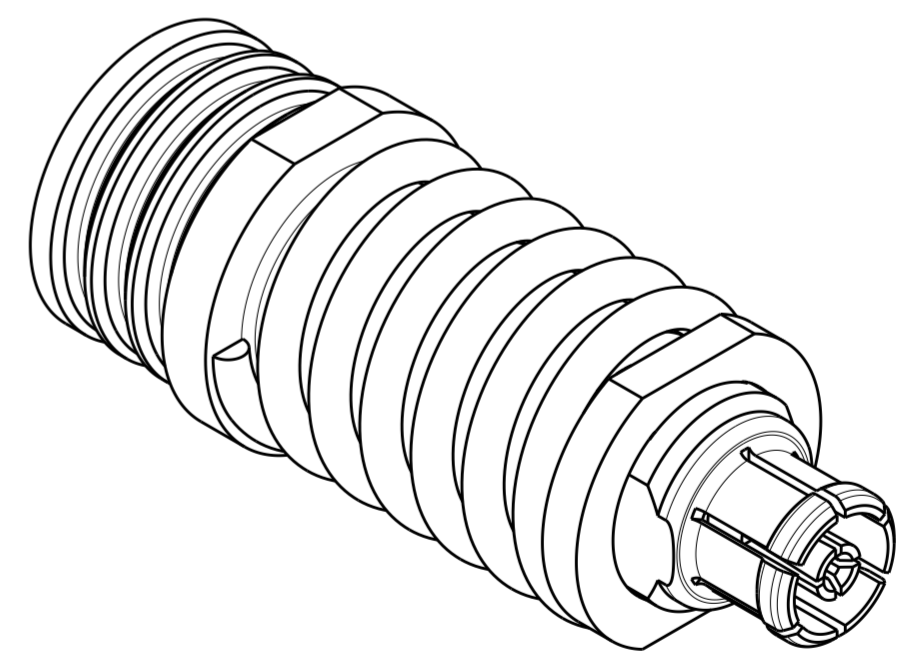
REVISIONS				
P	LTR	DESCRIPTION	DATE	APVD
	A	RELEASED PER ECO 17-011864	8-15-17	CT DHW



SMPM JACK (f)

RETAINING WASHER  
 USE TOOL 2101595-1

PERFORMANCE:  
 IMPEDANCE: 50 OHMS  
 VSWR: 1.15+.01Xf(GHz), DC-40 GHz  
 POWER: 1/2 WATT AT 70°C  
 OPERATING TEMPERATURE RANGE: -55°C TO 105°C  
 SPRING:  
 PRELOAD: 2.35±.25 LBF  
 FORCE AT .052 DEFLECTION: 3.60±.30 LBF  
 FULL DEFLECTION: .078 [2.0] MIN



SCALE 10:1

2321032-1  
 PART NUMBER

RESISTIVE ELEMENT	NICHROME THIN FILM OVER ALUMINA SUBSTRATE WITH POLYMER PROTECTIVE COATING	TERMINALS: GOLD PLATE PER ASTM B488 OVER NICKEL PLATE PER QQ-N-290
HOUSING CENTER CONTACT	BERYLLIUM COPPER PER ASTM B194, ALLOY C17200, CONDITION H	GOLD PLATE PER ASTM B488 OVER NICKEL PLATE PER QQ-N-290
END CAP	STAINLESS STEEL PER ASTM A484 AND ASTM A582, TYPE 303	GOLD PLATE PER ASTM B488 OVER NICKEL PLATE PER QQ-N-290
DIELECTRIC	PTFE PER ASTM D1457	N/A
BUSHING	BRASS PER ASTM B16 HALF HARD	GOLD PLATE PER ASTM B488 OVER NICKEL PLATE PER QQ-N-290
SOLDER COMPONENT	SN63 OR SN60 MATERIAL	N/A FINISH

THIS DRAWING IS A CONTROLLED DOCUMENT.		DWN D. WILSON 13JUN2017	TE Connectivity	
DIMENSIONS: in [mm]		CHK D. WILSON 15JUN2017		
TOLERANCES UNLESS OTHERWISE SPECIFIED:		APVD D. WILSON 15JUN2017	NAME TERMINATOR, 50 OHM, SMPM JACK VITA 67, FLOAT MOUNT	
0 PLC ±		PRODUCT SPEC	SIZE CAGE CODE DRAWING NO RESTRICTED TO	
1 PLC ±		APPLICATION SPEC	A200779 C-2321032	
2 PLC ±.01 [0.25]		WEIGHT	SCALE 15:1 SHEET 1 OF 1 REV A	
3 PLC ±.005 [0.13]		CUSTOMER DRAWING		
4 PLC ±				
ANGLES ±5				
FINISH				

## X-ON Electronics

Largest Supplier of Electrical and Electronic Components

*Click to view similar products for [RF Terminators](#) category:*

*Click to view products by [TE Connectivity](#) manufacturer:*

Other Similar products are found below :

[M390303-02N](#) [M39030/3-04S](#) [M39030/3-09S](#) [M39030/3-11N](#) [TNG1-9-78-D3](#) [TNA2-50](#) [TNG1-6-78](#) [TNH1-1-50](#) [R404280000](#) [TNGFL1-1-78](#) [R4042N5000](#) [53S1RR-001N3](#) [142275](#) [56S1RR-001N4](#) [65\\_BNC-50-0-7/133\\_NE](#) [71S1RR-001N4](#) [02S17R-001D3](#) [R404240120](#) [R404260000](#) [HT-10-2](#) [FL LCX 50-OHM-RSMA](#) [M39030/3-04N](#) [TNA1-6-50](#) [131-3801-811](#) [TNA1-1-50](#) [65\\_N-50-0-51/113\\_NE](#) [65\\_BNC-50-0-2/133\\_NE](#) [65\\_N-50-0-1/133\\_NE](#) [65002\\_N-50-1/122\\_NE](#) [65\\_MMCX-50-0-31/111\\_OE](#) [18K15R-0.5E3](#) [2702702](#) [TRM-2161-M0-35M-02](#) [53S17R-001N3](#) [1100.19.0001](#) [18S24H-40ML5](#) [TRM-2053-M0-NNN-02](#) [R404759000](#) [M39030/6-02N](#) [TRM-2080-M0-NNN-07](#) [TRM-2053-MC-NNN-02](#) [M39030/3-03S](#) [SF8012-6009](#) [6701.01.A](#) [65\\_MCX-50-0-4/111\\_NE](#) [65\\_716-50-0-2/003\\_-E](#) [65\\_SMB-50-0-1/111\\_NE](#) [M39030/3-12N](#) [82-5722-RFX](#) [8018-6174](#)