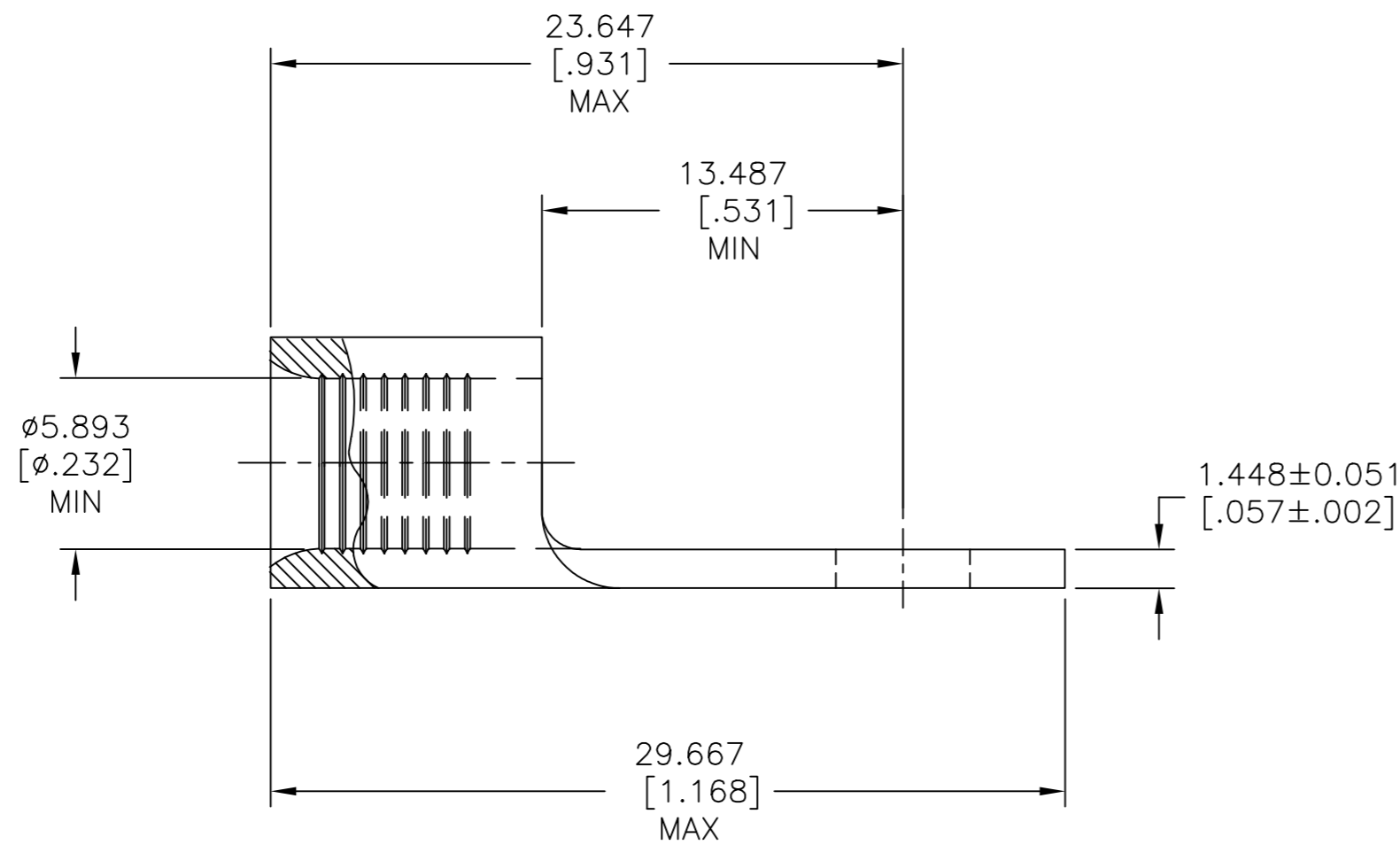
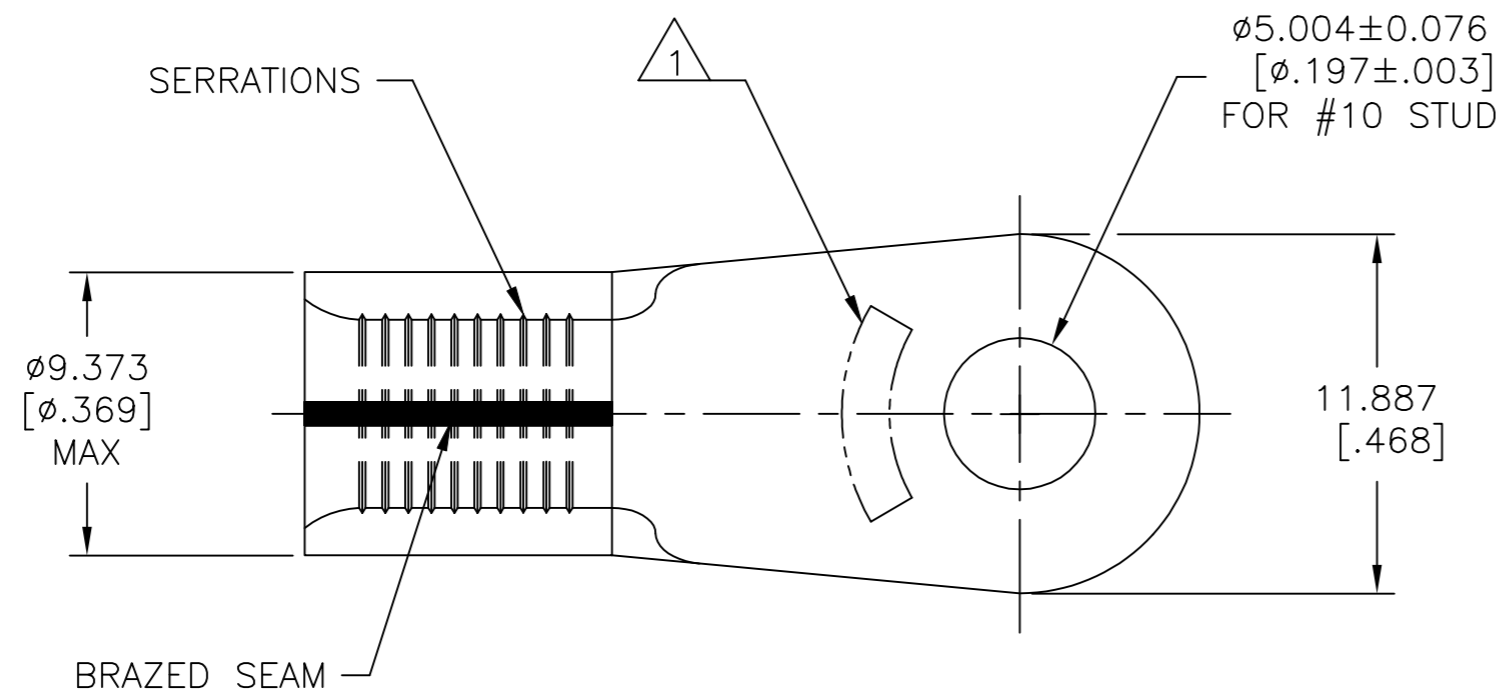


THIS DRAWING IS UNPUBLISHED. RELEASED FOR PUBLICATION  
 © COPYRIGHT - By - ALL RIGHTS RESERVED.

REVISIONS					
P	LTR	DESCRIPTION	DATE	DWN	APVD
S1		REVISED PER ECO-11-004820	11MAR11	RK	HMR
S2		REVISED PER ECO-17-008808	12MAR2018	RS	DR



<b>AMP</b> WIRE RANGE	E13288 Listed
6 AWG SOLID OR STRANDED	6 AWG STRANDED
LR7189 Certified	MILITARY P/N AND CLASS
6 AWG SOLID OR STRANDED	MS20659-130 CLASS 2 PN 321298 ONLY

- 1 STAMP AMP 6\* APPROX AS SHOWN
- 2 UL 486 A-B OR SAE AS7928

AMP INCORPORATED  
CUSTOMER SERVICE SYSTEMS

MAX RECOMMENDED OPERATING TEMPERATURE:  
170°C [338°F] MAX

FOR ADDITIONAL PRODUCT INFORMATION OR COPIES OF DRAWINGS AND TECHNICAL DOCUMENTS

PRODUCT INFORMATION CENTER  
1-800-522-6752

VOLTAGE RATING:  
NOT APPLICABLE

FOR APPLICATION TOOLING INFORMATION

TOOLING ASSISTANCE CENTER  
1-800-722-1111

WIRE CROSS SECTIONAL AREA RANGE:  
10.5-16.8mm<sup>2</sup> [20,800-33,100] CIR MILS  
SOLID OR STRANDED

FOR ORDER ENTRY

1-800-526-5142

THIS DRAWING IS A CONTROLLED DOCUMENT FOR AMP INCORPORATED. IT IS SUBJECT TO CHANGE AND THE CONTROLLING ENGINEERING ORGANIZATION SHOULD BE CONTACTED FOR THE LATEST REVISION.

750	ON TAPE REEL 321298	TIN PLATE 0.00254[.000100] MIN THK PER ASTM B545	2-321298-6																										
100	LOOSE PIECE	TIN PLATE 0.00254[.000100] MIN THK PER ASTM B545	321298																										
QUANTITY	PACKAGE TYPE	FINISH	PART NO																										
THIS DRAWING IS A CONTROLLED DOCUMENT.		<table border="1"> <tr> <td>DWN</td> <td>TA BRINKMAN</td> <td>3-24-93</td> </tr> <tr> <td>CHK</td> <td>DA PATTERSON</td> <td>3-24-93</td> </tr> <tr> <td>APVD</td> <td>DE MILLER</td> <td>3-24-93</td> </tr> <tr> <td>PRODUCT SPEC</td> <td colspan="2"> </td> </tr> <tr> <td>APPLICATION SPEC</td> <td colspan="2">-</td> </tr> </table>		DWN	TA BRINKMAN	3-24-93	CHK	DA PATTERSON	3-24-93	APVD	DE MILLER	3-24-93	PRODUCT SPEC			APPLICATION SPEC	-												
DWN	TA BRINKMAN	3-24-93																											
CHK	DA PATTERSON	3-24-93																											
APVD	DE MILLER	3-24-93																											
PRODUCT SPEC																													
APPLICATION SPEC	-																												
<table border="1"> <tr> <td>DIMENSIONS:</td> <td>TOLERANCES UNLESS OTHERWISE SPECIFIED:</td> </tr> <tr> <td>mm [INCHES]</td> <td>0 PLC ± -</td> </tr> <tr> <td></td> <td>1 PLC ± -</td> </tr> <tr> <td></td> <td>2 PLC ± -</td> </tr> <tr> <td></td> <td>3 PLC ± 0.127[.005]</td> </tr> <tr> <td></td> <td>4 PLC ± -</td> </tr> <tr> <td></td> <td>ANGLES ± -</td> </tr> </table>		DIMENSIONS:	TOLERANCES UNLESS OTHERWISE SPECIFIED:	mm [INCHES]	0 PLC ± -		1 PLC ± -		2 PLC ± -		3 PLC ± 0.127[.005]		4 PLC ± -		ANGLES ± -	<table border="1"> <tr> <td>NAME</td> <td colspan="3">  TE Connectivity Ltd.         </td> </tr> <tr> <td>SIZE</td> <td>CAGE CODE</td> <td>DRAWING NO</td> <td>RESTRICTED TO</td> </tr> <tr> <td>A2</td> <td>00779</td> <td>C=321298</td> <td>-</td> </tr> </table>		NAME	TE Connectivity Ltd.			SIZE	CAGE CODE	DRAWING NO	RESTRICTED TO	A2	00779	C=321298	-
DIMENSIONS:	TOLERANCES UNLESS OTHERWISE SPECIFIED:																												
mm [INCHES]	0 PLC ± -																												
	1 PLC ± -																												
	2 PLC ± -																												
	3 PLC ± 0.127[.005]																												
	4 PLC ± -																												
	ANGLES ± -																												
NAME	TE Connectivity Ltd.																												
SIZE	CAGE CODE	DRAWING NO	RESTRICTED TO																										
A2	00779	C=321298	-																										
MATERIAL COPPER PER ASTM B-152 ANNEALED		<table border="1"> <tr> <td>WEIGHT</td> <td>SCALE</td> <td>SHEET</td> <td>REV</td> </tr> <tr> <td>SEE TABLE</td> <td>4:1</td> <td>1 of 1</td> <td>S2</td> </tr> </table>		WEIGHT	SCALE	SHEET	REV	SEE TABLE	4:1	1 of 1	S2																		
WEIGHT	SCALE	SHEET	REV																										
SEE TABLE	4:1	1 of 1	S2																										
CUSTOMER DRAWING																													

## X-ON Electronics

Largest Supplier of Electrical and Electronic Components

*Click to view similar products for [Terminals](#) category:*

*Click to view products by [TE Connectivity](#) manufacturer:*

Other Similar products are found below :

[00-054007-01074-6](#) [00-054007-70206-1](#) [00-054007-70210-8](#) [00-054007-70217-7](#) [00-054007-70226-9](#) [00-054007-70228-3](#) [00-054007-70248-1](#) [00-054007-70256-6](#) [00-054007-70301-3](#) [00-054007-70316-7](#) [0-0320562-0](#) [00-054007-49560-4](#) [00-054007-70209-2](#) [00-054007-70225-2](#) [00-054007-70227-6](#) [00-054007-70231-3](#) [00-054007-70241-2](#) [00-054007-70242-9](#) [00-054007-70244-3](#) [00-054007-70246-7](#) [00-054007-70263-4](#) [00-054007-70288-7](#) [00-054007-70290-0](#) [00-054007-70300-6](#) [00-054007-70304-4](#) [01-2065-1-0216](#) [01-2900-1-04412](#) [00581P0075](#) [600TS-10](#) [60205-1](#) [604200-1](#) [605601-1](#) [60598-1-CUT-TAPE](#) [61314-6-C](#) [61810-3](#) [61-S](#) [61-SN](#) [626-0194](#) [62-NBM-A](#) [62-SN](#) [62-SP](#) [63-S](#) [640179-1](#) [M55155/059I03](#) [M55155/079C01](#) [M55155/099H02](#) [M55155/109H01](#) [M55155/109H02](#) [M55155/12XH05](#) [M55155/16XH02](#)