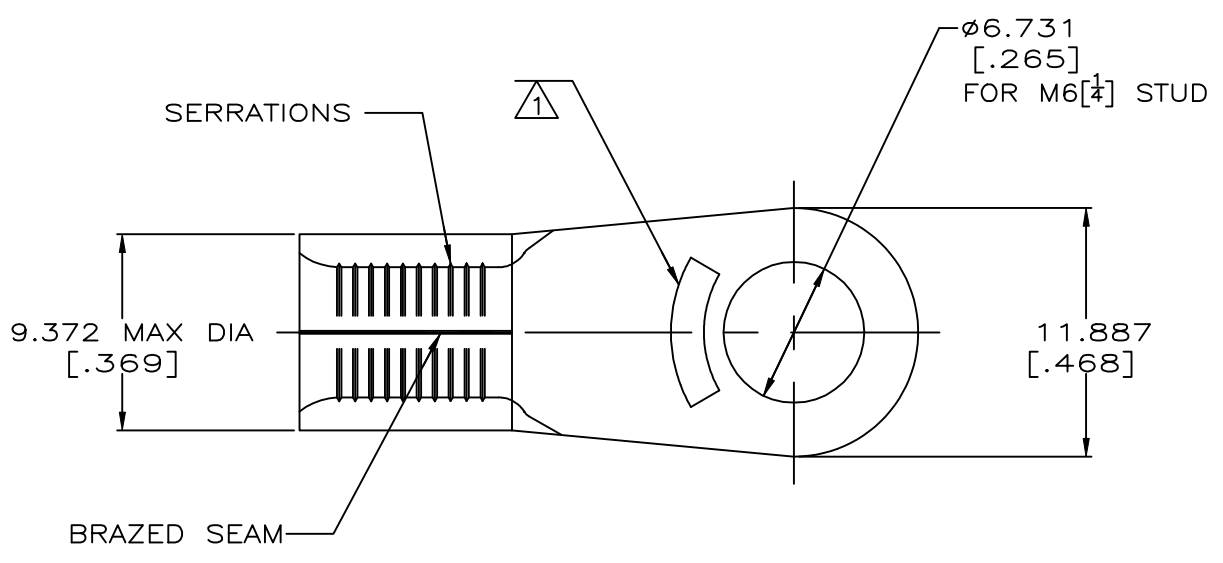
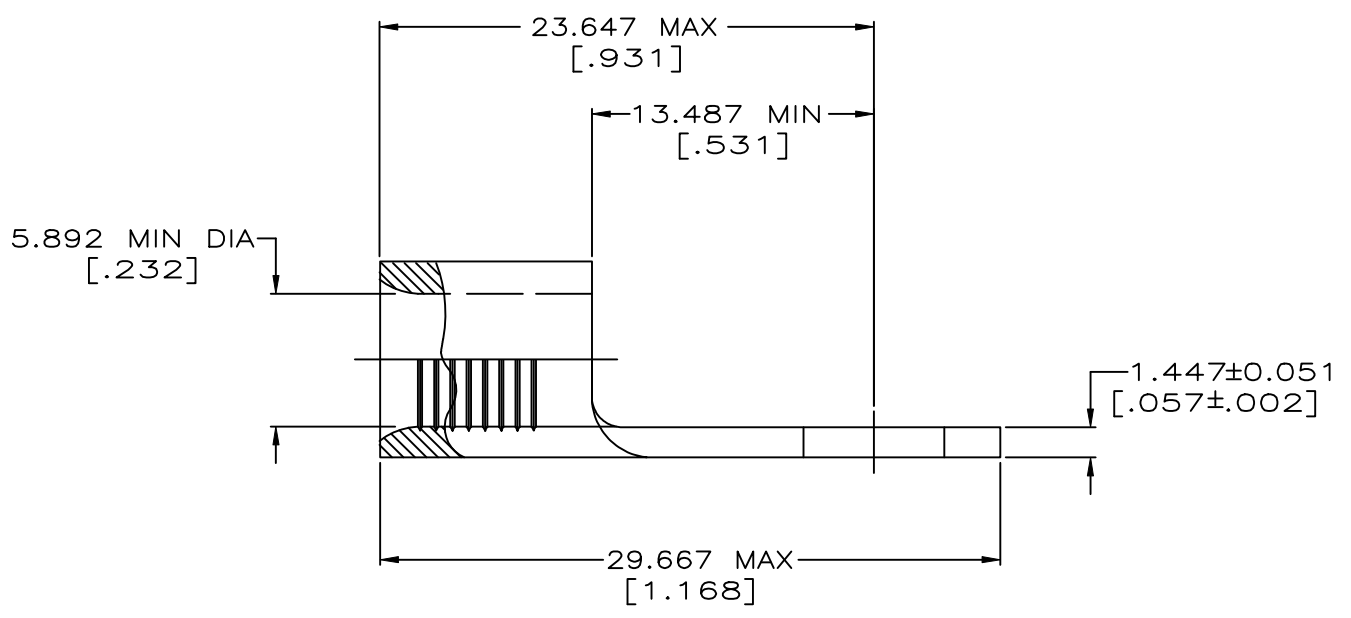


REVISIONS				
P	LTR	DESCRIPTION	DATE	APVD
G4		REVISED PER ECO-11-004587	11MAR11	RK HMR
G5		REVISED PER ECO-17-008806	20FEB2018	RS DR



AMP WIRE RANGE	UL Listed FILE E13288	LR7189 Certified
6 AWG SOLID OR STRANDED	6 AWG STRANDED	6 AWG SOLID OR STRANDED

- ① STAMP AMP 6* APPROX AS SHOWN
- 2 NOTE DELTED.
- ③ COPPER PER ASTM B-152, ANNEALED
- ④ MEETS MS20659-109, CLASS 2
- ⑤ UL 486 A-B OR SAE AS7928



1000	LOOSE PIECE	170°C [338°F]	TIN PLATE 0.00254[.000100] MIN THK PER PER ASTM B545	2-321598-4
750	ON TAPE	170°C [338°F]	TIN PLATE 0.00254[.000100] MIN THK PER ASTM B545	④ 2-321598-3
100	LOOSE PIECE	170°C [338°F]	TIN PLATE 0.00254[.000100] MIN THK PER ASTM B545	④ 321598
QTY.	PACKAGE TYPE	OPERATING TEMP, MAX	FINISH	PART NO.

CUSTOMER SERVICE SYSTEMS FOR ADDITIONAL PRODUCT INFORMATION OR COPIES OF DRAWINGS AND TECHNICAL DOCUMENTS PRODUCT INFORMATION CENTER 1-800-522-6752 FOR APPLICATION TOOLING INFORMATION TOOLING ASSISTANCE CENTER 1-800-722-1111 FOR ORDER ENTRY 1-800-526-5142		RECOMMENDED OPERATING TEMPERATURE: SEE TABLE VOLTAGE RATING: NOT APPLICABLE WIRE CROSS SECTIONAL AREA RANGE: 10.5-16.8mm ² [20,800-33,100] CIR MILS SOLID OR STRANDED		THIS DRAWING IS A CONTROLLED DOCUMENT. DIMENSIONS: MM[INCHES] TOLERANCES UNLESS OTHERWISE SPECIFIED: 0 PLC ± - 1 PLC ± - 2 PLC ± - 3 PLC ± .127[.005] 4 PLC ± - 5 ANGLE ± - FINISH SEE TABLE		DWN TA BRINKMAN 3-24-93 CHK DA PATTERSON 3-24-93 APVD JL MECKLEY 3-24-93 PRODUCT SPEC APPLICATION SPEC WEIGHT - CUSTOMER DRAWING		STE TE Connectivity Ltd. NAME TERMINAL, RING TONGUE, SOLISTRAND 6 AWG SIZE CAGE CODE DRAWING NO RESTRICTED TO A2 00779 C-321598 - SCALE 4:1 SHEET 1 of 1 REV G5	
		MATERIAL - ③		FINISH SEE TABLE					

X-ON Electronics

Largest Supplier of Electrical and Electronic Components

Click to view similar products for [Terminals](#) category:

Click to view products by [TE Connectivity](#) manufacturer:

Other Similar products are found below :

[00-054007-01074-6](#) [00-054007-70206-1](#) [00-054007-70210-8](#) [00-054007-70217-7](#) [00-054007-70226-9](#) [00-054007-70228-3](#) [00-054007-70248-1](#) [00-054007-70256-6](#) [00-054007-70301-3](#) [00-054007-70316-7](#) [00-054007-49560-4](#) [00-054007-70209-2](#) [00-054007-70225-2](#) [00-054007-70227-6](#) [00-054007-70231-3](#) [00-054007-70241-2](#) [00-054007-70242-9](#) [00-054007-70244-3](#) [00-054007-70246-7](#) [00-054007-70263-4](#) [00-054007-70288-7](#) [00-054007-70290-0](#) [00-054007-70300-6](#) [00-054007-70304-4](#) [01-2065-1-0216](#) [01-2900-1-04412](#) [00581P0075](#) [600TS-10](#) [60205-1](#) [604200-1](#) [605601-1](#) [60598-1-CUT-TAPE](#) [61314-6-C](#) [61810-3](#) [61-S](#) [61-SN](#) [626-0194](#) [62-NBM-A](#) [62-SN](#) [62-SP](#) [63-S](#) [640179-1](#) [M55155/059I03](#) [M55155/079C01](#) [M55155/099H02](#) [M55155/109H01](#) [M55155/109H02](#) [M55155/12XH05](#) [M55155/16XH02](#) [M55155/29-5S](#)