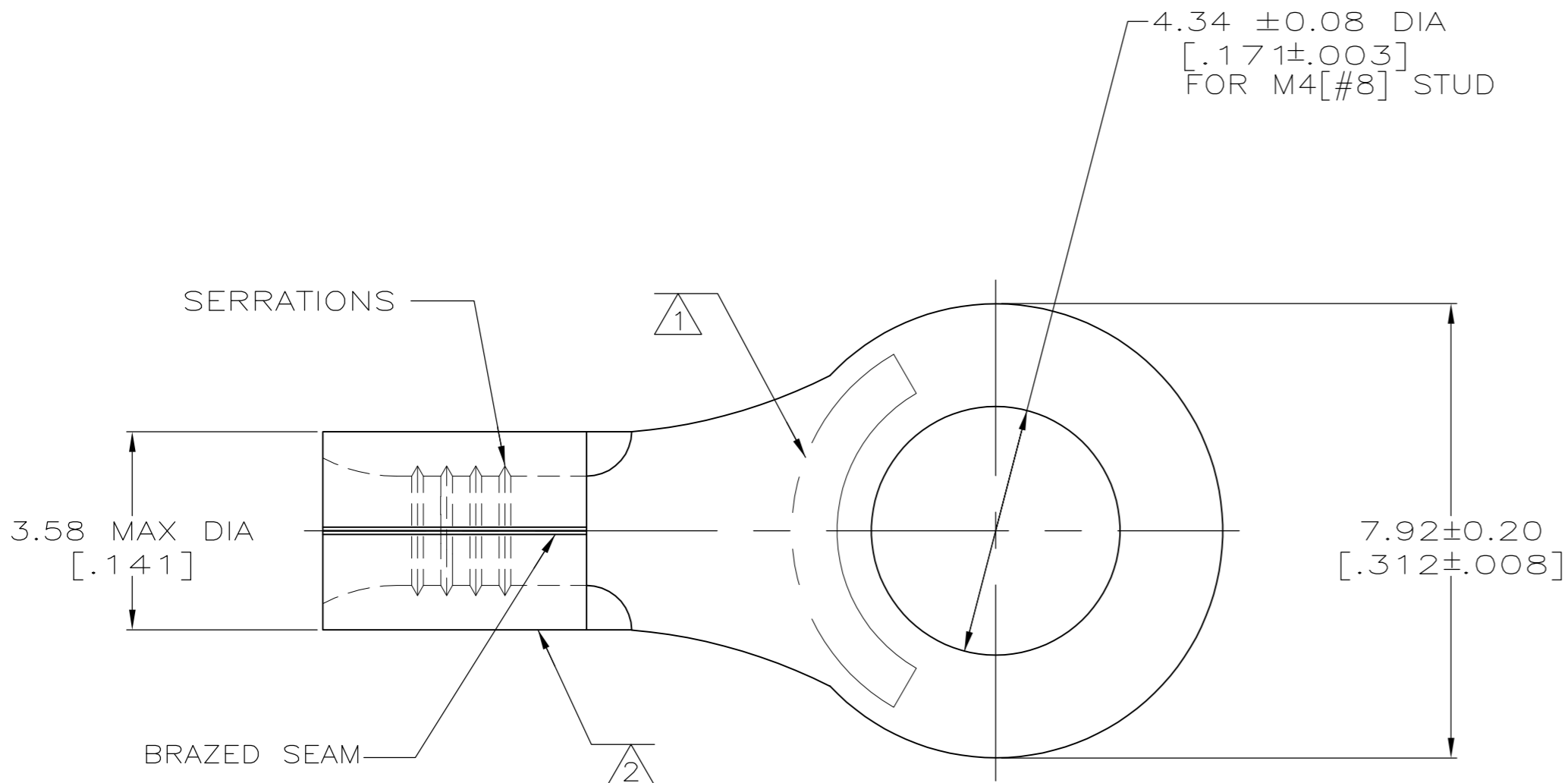


THIS DRAWING IS UNPUBLISHED. RELEASED FOR PUBLICATION  
 © COPYRIGHT - By - ALL RIGHTS RESERVED.

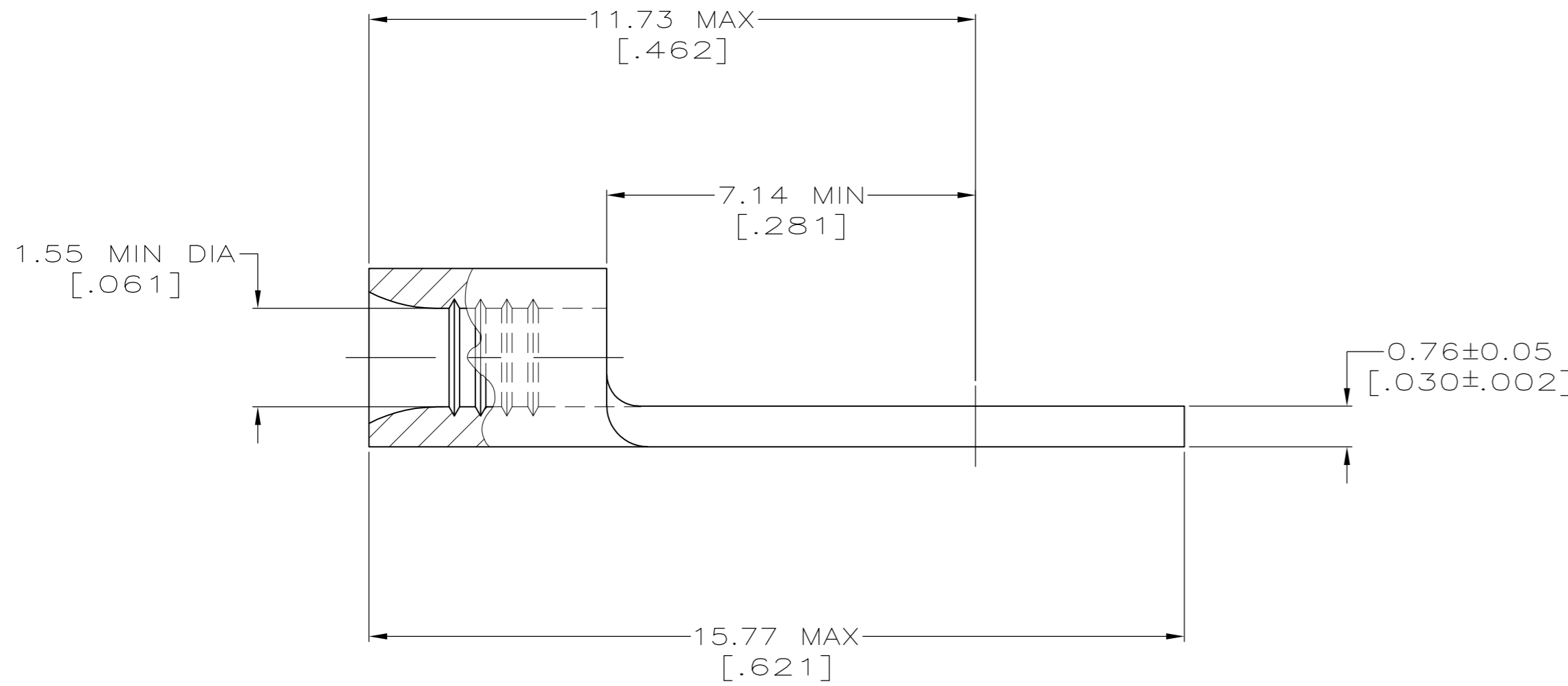
LOC	DIST	REVISIONS			
P	LTR	DESCRIPTION	DATE	DWN	APVD
G	14				
	J2	REVISED PER ECO-12-003796	28FEB12	KH	DR

**AMP**  
WIRE RANGE

22-16 AWG  
SOLID OR STRANDED



- 1 STAMP AMP 22-18 APPROX AS SHOWN  
22-16 TERMINALS ARE STAMPED 22-18 IN ACCORDANCE WITH MILITARY SPECIFICATION SAE AS7928; COMMERCIAL WIRE RANGE IS 22-16
- 2 WIRE BARREL COLOR CODED ORANGE TO DENOTE NICKEL MATERIAL
- 3 NICKEL PER ASTM B-162, ANNEALED
- 4 NICKEL-CHROMIUM ALLOY THERMOCOUPLE MATERIAL "TYPE K" POSITIVE LEAD PER ASTM E230, ANNEALED.
- 5 NICKEL-MAGNANESE-ALUMINUM ALLOY THERMOCOUPLE MATERIAL "TYPE K" NEGATIVE LEAD PER ASTM E230, ANNEALED.
- 6 GOLD PLATE 0.00127[.000050] MIN EXT. THK ASTM B488, TYPE1, CODE C OVER NICKEL FLASH PER SAE AMS QQ-N-290 WOODS NICKEL FLASH PER ASTM B558.
- 7 NOTE DELETED



MAX OPERATING TEMPERATURE	QTY	PACKAGE TYPE	MATERIAL	FINISH	PART NO.
649°C [1200°F]	1000	LOOSE PIECE	5	NONE	2-321895-4
649°C [1200°F]	1000	LOOSE PIECE	4	NONE	2-321895-2
649°C [1200°F]	1000	LOOSE PIECE	3	NONE	2-321895-1
260°C [500°F]	1000	LOOSE PIECE	3	6	321895-1
649°C [1200°F]	1000	LOOSE PIECE	3	2	321895

CUSTOMER SERVICE SYSTEMS		MAX RECOMMENDED OPERATING TEMPERATURE:
FOR ADDITIONAL PRODUCT INFORMATION OR COPIES OF DRAWINGS AND TECHNICAL DOCUMENTS	PRODUCT INFORMATION CENTER 1-800-522-6752	SEE TABLE
FOR APPLICATION TOOLING INFORMATION	TOOLING ASSISTANCE CENTER 1-800-722-1111	VOLTAGE RATING: NONE
FOR ORDER ENTRY	1-800-526-5142	CIRCULAR MIL AREA: 0.26-1.65mm² [509-3260] SOLID OR STRANDED

THIS DRAWING IS A CONTROLLED DOCUMENT.		DWN TA BRINKMAN 4-15-93
DIMENSIONS: MM [ INCHES ]		CHK DA PATTERSON 4-15-93
TOLERANCES UNLESS OTHERWISE SPECIFIED:		APVD JL MECKLEY 4-15-93
0 PLC ± -		NAME
1 PLC ± -		TERMINAL, RING TONGUE, HIGH TEMPERATURE, STRATO-THERM, SOLISTRAND
2 PLC ± 0.20 [.008]		SIZE
3 PLC ± -		CAGE CODE
4 PLC ± -		DRAWING NO
ANGLES ± -		RESTRICTED TO
MATERIAL		WEIGHT
SEE TABLE		FINISH
SEE TABLE		SCALE
SEE TABLE		SHEET
SEE TABLE		REV

DWN TA BRINKMAN 4-15-93		TE Connectivity	
CHK DA PATTERSON 4-15-93		NAME	
APVD JL MECKLEY 4-15-93		TERMINAL, RING TONGUE, HIGH TEMPERATURE, STRATO-THERM, SOLISTRAND	
PRODUCT SPEC		SIZE	RESTRICTED TO
APPLICATION SPEC		CAGE CODE	
-		DRAWING NO	
WEIGHT		00779	
CUSTOMER DRAWING		321895	
SCALE		10:1	
SHEET		1 of 1	
REV		J2	

## X-ON Electronics

Largest Supplier of Electrical and Electronic Components

*Click to view similar products for [Terminals](#) category:*

*Click to view products by [TE Connectivity](#) manufacturer:*

Other Similar products are found below :

[00-054007-01074-6](#) [00-054007-70206-1](#) [00-054007-70210-8](#) [00-054007-70217-7](#) [00-054007-70226-9](#) [00-054007-70228-3](#) [00-054007-70248-1](#) [00-054007-70256-6](#) [00-054007-70301-3](#) [00-054007-70316-7](#) [00-054007-49560-4](#) [00-054007-70209-2](#) [00-054007-70225-2](#) [00-054007-70227-6](#) [00-054007-70231-3](#) [00-054007-70241-2](#) [00-054007-70242-9](#) [00-054007-70244-3](#) [00-054007-70246-7](#) [00-054007-70263-4](#) [00-054007-70288-7](#) [00-054007-70290-0](#) [00-054007-70300-6](#) [00-054007-70304-4](#) [01-2065-1-0216](#) [01-2900-1-04412](#) [00581P0075](#) [600TS-10](#) [60205-1](#) [604200-1](#) [605601-1](#) [60598-1-CUT-TAPE](#) [61314-6-C](#) [61810-3](#) [61-S](#) [61-SN](#) [626-0194](#) [62-NBM-A](#) [62-SN](#) [62-SP](#) [63-S](#) [640179-1](#) [M55155/059I03](#) [M55155/079C01](#) [M55155/099H02](#) [M55155/109H01](#) [M55155/109H02](#) [M55155/12XH05](#) [M55155/16XH02](#) [M55155/29-5S](#)