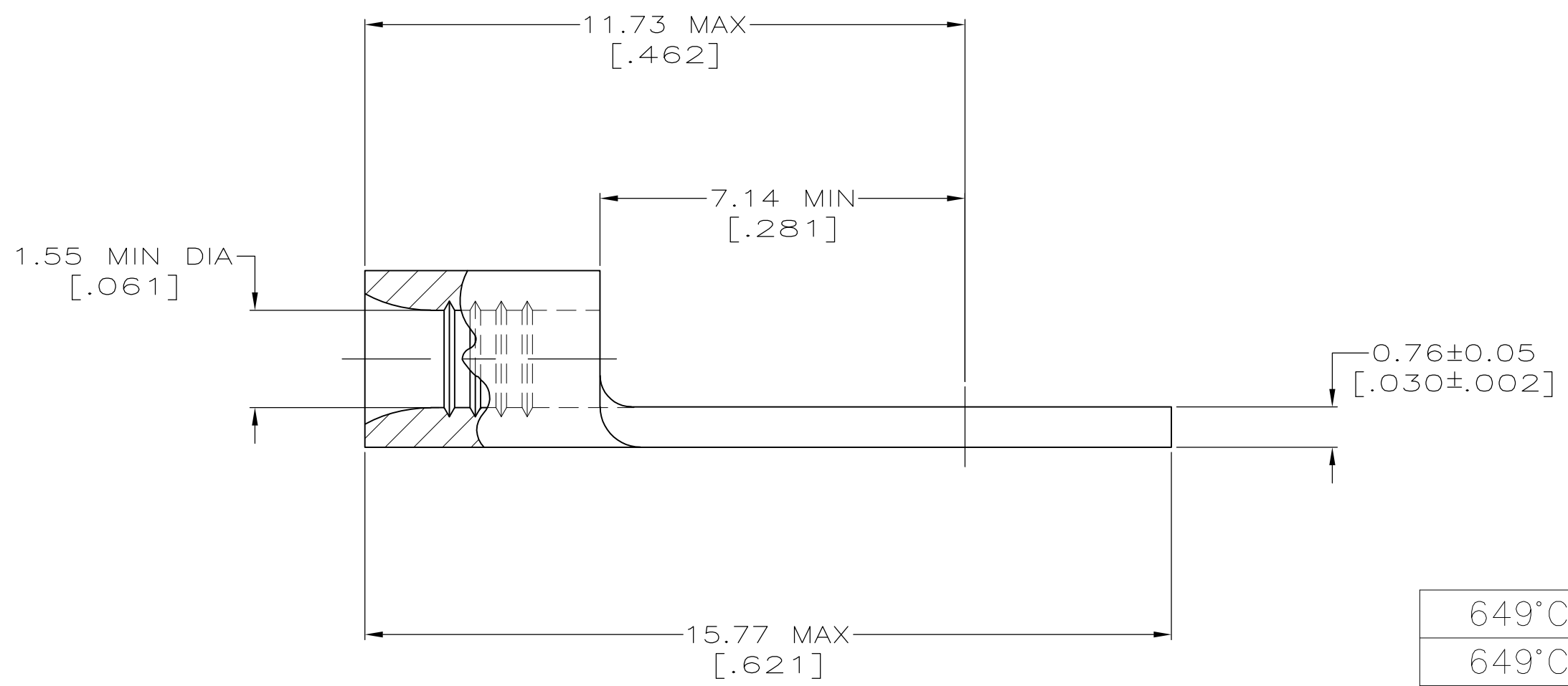
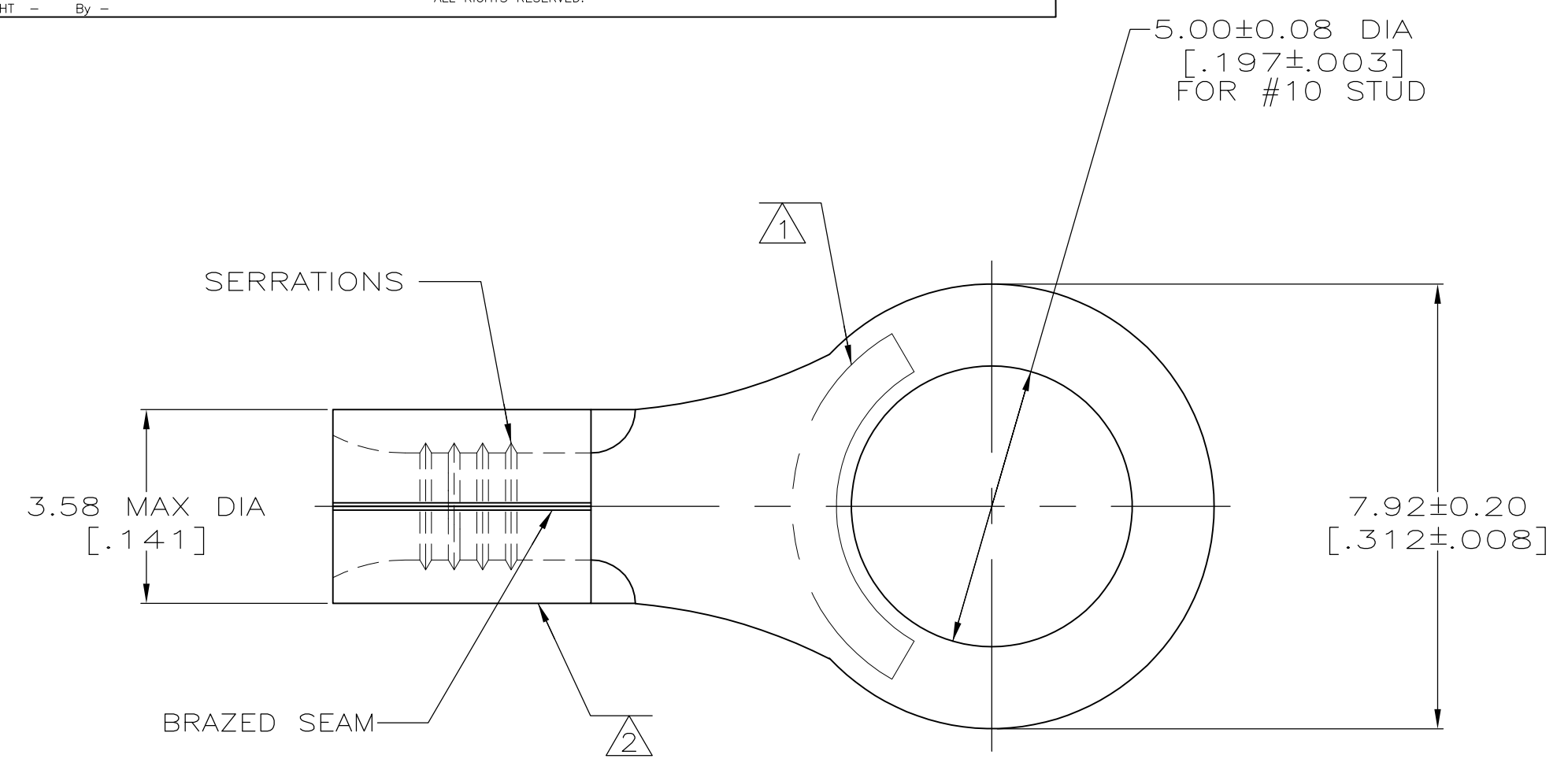


LOC	DIST	REVISIONS					
G	14	P	LTR	DESCRIPTION	DATE	OWN	APVD
		F3		REVISED PER ECO-13-008673	23MAY13	KH	DR



AMP
 WIRE RANGE
 22-16 AWG
 SOLID OR STRANDED

- 1 STAMP AMP 22-18 APPROX AS SHOWN
 22-16 TERMINALS ARE STAMPED 22-18 IN
 ACCORDANCE WITH MILITARY SPEC SAE AS7928
 COMMERCIAL WIRE RANGE IS 22-16
- 2 WIRE BARREL COLOR CODED ORANGE
 TO DENOTE NICKEL MATERIAL
- 3 GOLD PLATE 0.00127[.000050]MIN EXT.
 THK PER ASTM B488 TYPE 1, CODE C OVER
 NICKEL FLASH PER SAE AMS QQ-N-290
 OVER WOODS NICKEL FLASH PER ASTM B558.
- 4 NOTE DELETED
- 5 MATERIAL: NICKEL-MANGANESE-ALUMINIUM ALLOY
 THERMOCOUPLE MATERIAL "TYPE K"
 NEGATIVE LEAD PER ASTM E230, ANNEALED.
- 6 MATERIAL: NICKEL-CHROMIUM ALLOY THERMOCOUPLE
 MATERIAL "TYPE K" POSITIVE LEAD PER
 ASTM E230, ANNEALED
- 7 MATERIAL: NICKEL PER ASTM B162, ANNEALED

	649°C [1200°F]	6	—	500	LOOSE PIECE	2-321896-5
	649°C [1200°F]	5	—	1000	LOOSE PIECE	2-321896-2
OBSOLETE	649°C [1200°F]	7	—	5000	ON TAPE	2-321896-4
	260°C [500°F]	7	3	1000	LOOSE PIECE	321896-1
2	649°C [1200°F]	7	—	1000	LOOSE PIECE	321896
	MAX OPERATING TEMP	MATERIAL	FINISH	QTY	PACKAGE TYPE	PART NO

AMP INCORPORATED CUSTOMER SERVICE SYSTEMS		MAX RECOMMENDED OPERATING TEMPERATURE: SEE TABLE
FOR ADDITIONAL PRODUCT INFORMATION OR COPIES OF DRAWINGS AND TECHNICAL DOCUMENTS	PRODUCT INFORMATION CENTER 1-800-522-6752	VOLTAGE RATING: NOT APPLICABLE
FOR APPLICATION TOOLING INFORMATION	TOOLING ASSISTANCE CENTER 1-800-722-1111	WIRE CROSS SECTIONAL AREA RANGE: 0.26-1.65mm ² [509-3,260] CIR MILS SOLID OR STRANDED
FOR ORDER ENTRY	1-800-526-5142	THIS DRAWING IS A CONTROLLED DOCUMENT FOR AMP INCORPORATED. IT IS SUBJECT TO CHANGE AND THE CONTROLLING ENGINEERING ORGANIZATION SHOULD BE CONTACTED FOR THE LATEST REVISION.

THIS DRAWING IS A CONTROLLED DOCUMENT.		DWN TA BRINKMAN 4-15-93	 TE Connectivity TERMINAL, RING TONGUE, HIGH TEMPERATURE, STRATO-THERM™																	
DIMENSIONS: mm [INCHES]		CHK DA PATTERSON 4-15-93																		
TOLERANCES UNLESS OTHERWISE SPECIFIED:		APVD DE MILLER 4-15-93																		
<table border="1"> <tr><td>0 PLC</td><td>±</td><td>-</td></tr> <tr><td>1 PLC</td><td>±</td><td>-</td></tr> <tr><td>2 PLC</td><td>±</td><td>-</td></tr> <tr><td>3 PLC</td><td>±</td><td>-</td></tr> <tr><td>4 PLC</td><td>±</td><td>-</td></tr> <tr><td>ANGLES</td><td>±</td><td>±</td></tr> </table>		0 PLC		±	-	1 PLC	±	-	2 PLC	±	-	3 PLC	±	-	4 PLC	±	-	ANGLES	±	±
0 PLC	±	-																		
1 PLC	±	-																		
2 PLC	±	-																		
3 PLC	±	-																		
4 PLC	±	-																		
ANGLES	±	±																		
MATERIAL SEE TABLE	FINISH SEE TABLE	APPLICATION SPEC —	SIZE A2																	
CUSTOMER DRAWING		WEIGHT —	CAGE CODE 00779																	
		RESTRICTED TO —	DRAWING NO 321896																	
		SCALE 10:1	SHEET 1 OF 1																	
		REV F3																		

X-ON Electronics

Largest Supplier of Electrical and Electronic Components

Click to view similar products for [Terminals](#) category:

Click to view products by [TE Connectivity](#) manufacturer:

Other Similar products are found below :

[00-054007-01074-6](#) [00-054007-70206-1](#) [00-054007-70210-8](#) [00-054007-70217-7](#) [00-054007-70226-9](#) [00-054007-70228-3](#) [00-054007-70248-1](#) [00-054007-70256-6](#) [00-054007-70301-3](#) [00-054007-70316-7](#) [00-054007-49560-4](#) [00-054007-70209-2](#) [00-054007-70225-2](#) [00-054007-70227-6](#) [00-054007-70231-3](#) [00-054007-70241-2](#) [00-054007-70242-9](#) [00-054007-70244-3](#) [00-054007-70246-7](#) [00-054007-70263-4](#) [00-054007-70288-7](#) [00-054007-70290-0](#) [00-054007-70300-6](#) [00-054007-70304-4](#) [01-2065-1-0216](#) [01-2900-1-04412](#) [00581P0075](#) [600TS-10](#) [60205-1](#) [604200-1](#) [605601-1](#) [60598-1-CUT-TAPE](#) [61314-6-C](#) [61810-3](#) [61-S](#) [61-SN](#) [626-0194](#) [62-NBM-A](#) [62-SN](#) [62-SP](#) [63-S](#) [640179-1](#) [M55155/059I03](#) [M55155/079C01](#) [M55155/099H02](#) [M55155/109H01](#) [M55155/109H02](#) [M55155/12XH05](#) [M55155/16XH02](#) [M55155/29-5S](#)