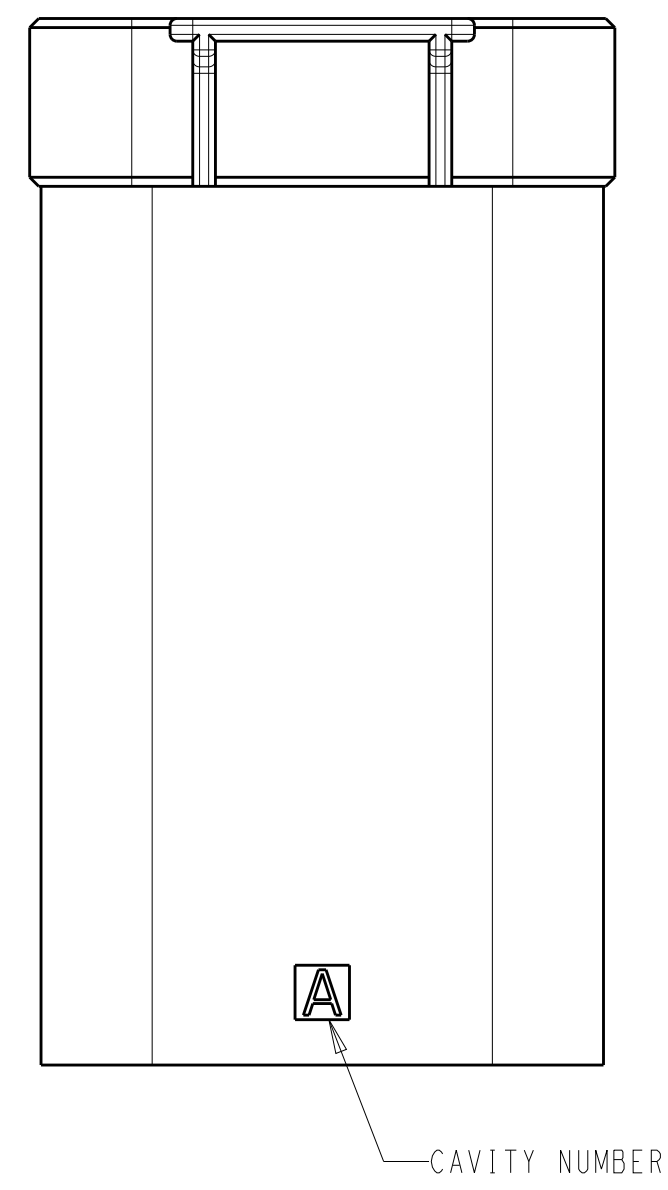
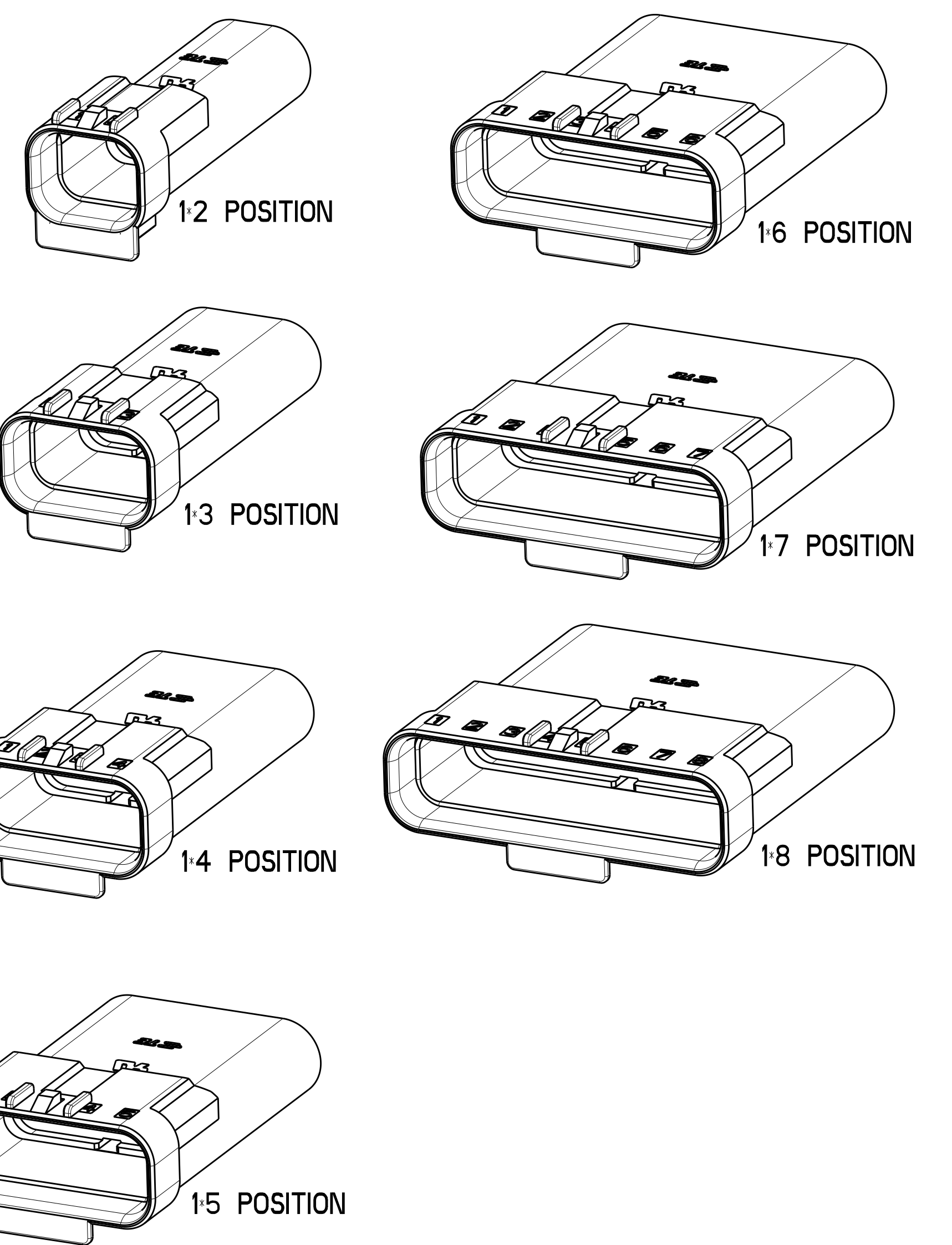
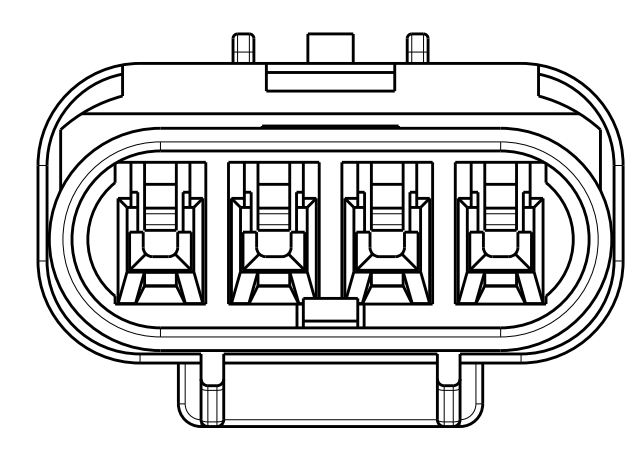
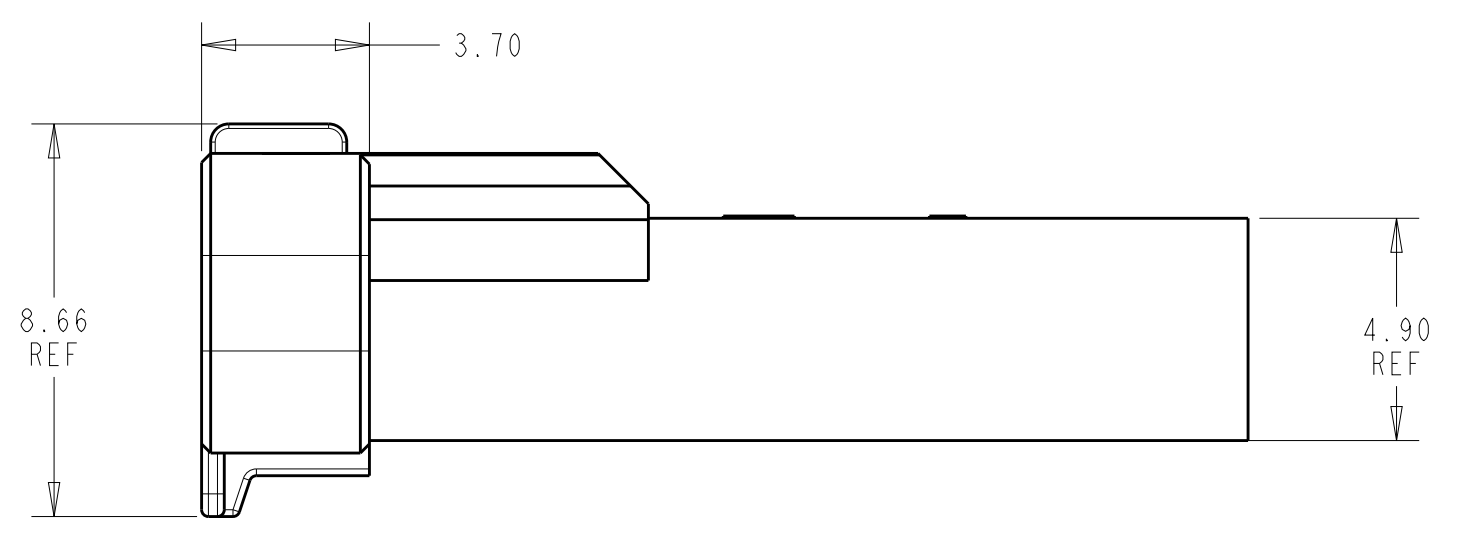
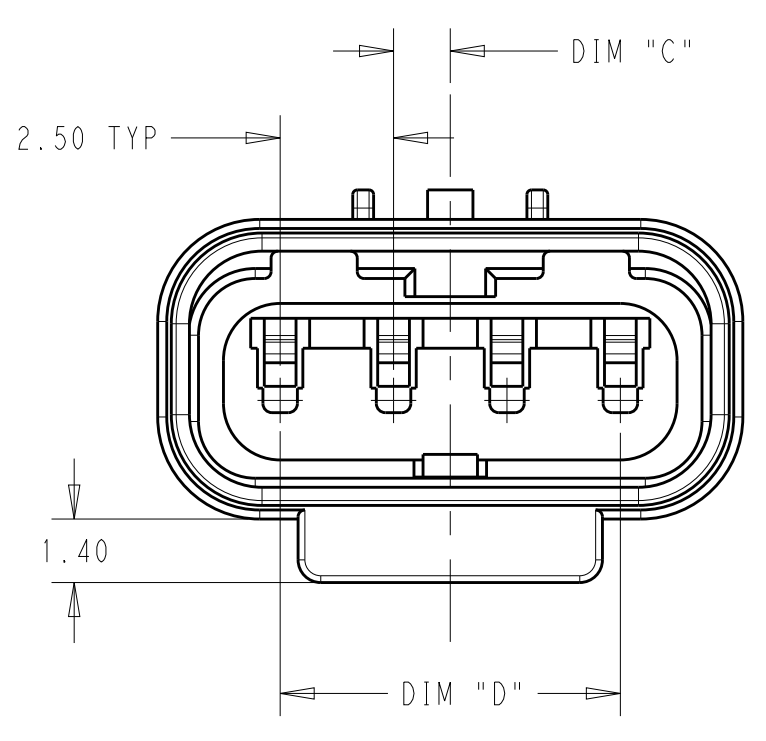
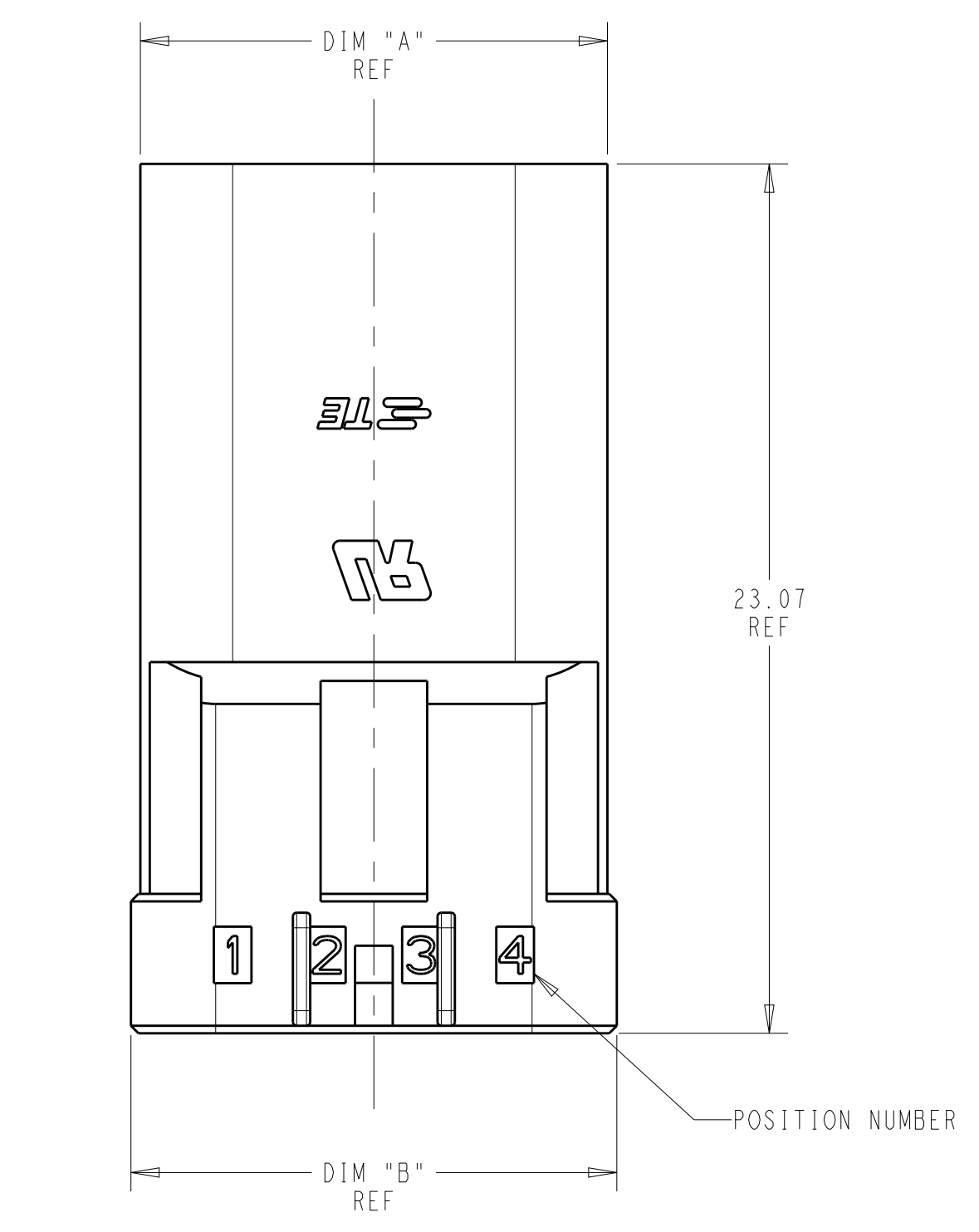


REVISIONS					
P	LTN	DESCRIPTION	DATE	OWN	APVD
A		NEW RELEASE	12FEB2020	L.C	D. Z

- ⚠ MATERIAL: PA66, UL94V-0, COLOR: NATURAL
- 2. APPLICABLE CONTACT P/N  
2321928-1 OR 1-2321928-1
- 3. MATING CONNECTOR P/N  
PLUG HSG: 2321918-★  
TPA (OPTIONAL): 2321927-★  
GANG SEAL: 2321922-★
- 4. COMPLY WITH GLOW WIRE REQUIREMENTS FOR PARTS OF NON-METALLIC MATERIAL SUPPORTING A CURRENT-CARRYING CONNECTION DETAILED IN IEC 60335-1, SECTION 30(GWT)
- ⚠ PRELIMINARY PART - NOT RELEASED FOR PRODUCTION  
THIS PART HAS NOT COMPLETED QUALIFICATION TESTING



DIM "D"	DIM "C"	DIM "B"	DIM "A"	POSN	PART NUMBER
17.50	1.25	22.90	22.40	1*8	⚠ 2321924-8
15.00	0	20.40	19.90	1*7	⚠ 2321924-7
12.50	1.25	17.90	17.40	1*6	2321924-6
10.00	0	15.40	14.90	1*5	2321924-5
7.50	1.25	12.90	12.40	1*4	2321924-4
5.00	0	10.40	9.90	1*3	2321924-3
2.50	1.25	7.90	7.40	1*2	2321924-2

THIS DRAWING IS A CONTROLLED DOCUMENT.

TE Connectivity

RECEPTACLE HOUSING, SDL 2.5 WATERPROOF

SCALE 6:1 SHEET 1 OF 1 REV A

## X-ON Electronics

Largest Supplier of Electrical and Electronic Components

*Click to view similar products for [Headers & Wire Housings](#) category:*

*Click to view products by [TE Connectivity](#) manufacturer:*

Other Similar products are found below :

[892-18-020-10-001101](#) [58102-G61-06LF](#) [582553-1](#) [0009485154](#) [009176003701906](#) [0050291907](#) [LY20-4P-DT1-P1E-BR](#) [02.125.8002.8](#)  
[609-3404](#) [61062-3](#) [61082-181009](#) [622-3653LF](#) [63453-116](#) [636-1030](#) [636-1427](#) [636-3427](#) [636-4007](#) [641938-9](#) [641991-4](#) [644827-2](#) [65817-010LF](#) [65817-015LF](#) [65863-015LF](#) [66207-023LF](#) [67095-007LF](#) [67601157](#) [68645-018](#) [68648-049](#) [70.362.1628.0](#) [70-4210](#) [70-4226B](#) [70-4853B](#) [707-5020](#) [707-5028](#) [71.350.2428.0](#) [71918-208LF](#) [71961-016LF](#) [733-134](#) [733-162](#) [754199-000](#) [760-3052](#) [787-8014-00](#) [79531-3000](#)  
[FCN-360C032-B](#) [FCN-367T-T012/H](#) [FCN-723D010/2](#) [80.063.4001.1](#) [800-90-001-10-001000](#) [800-90-010-10-002000](#) [801-43-002-10-013000](#)