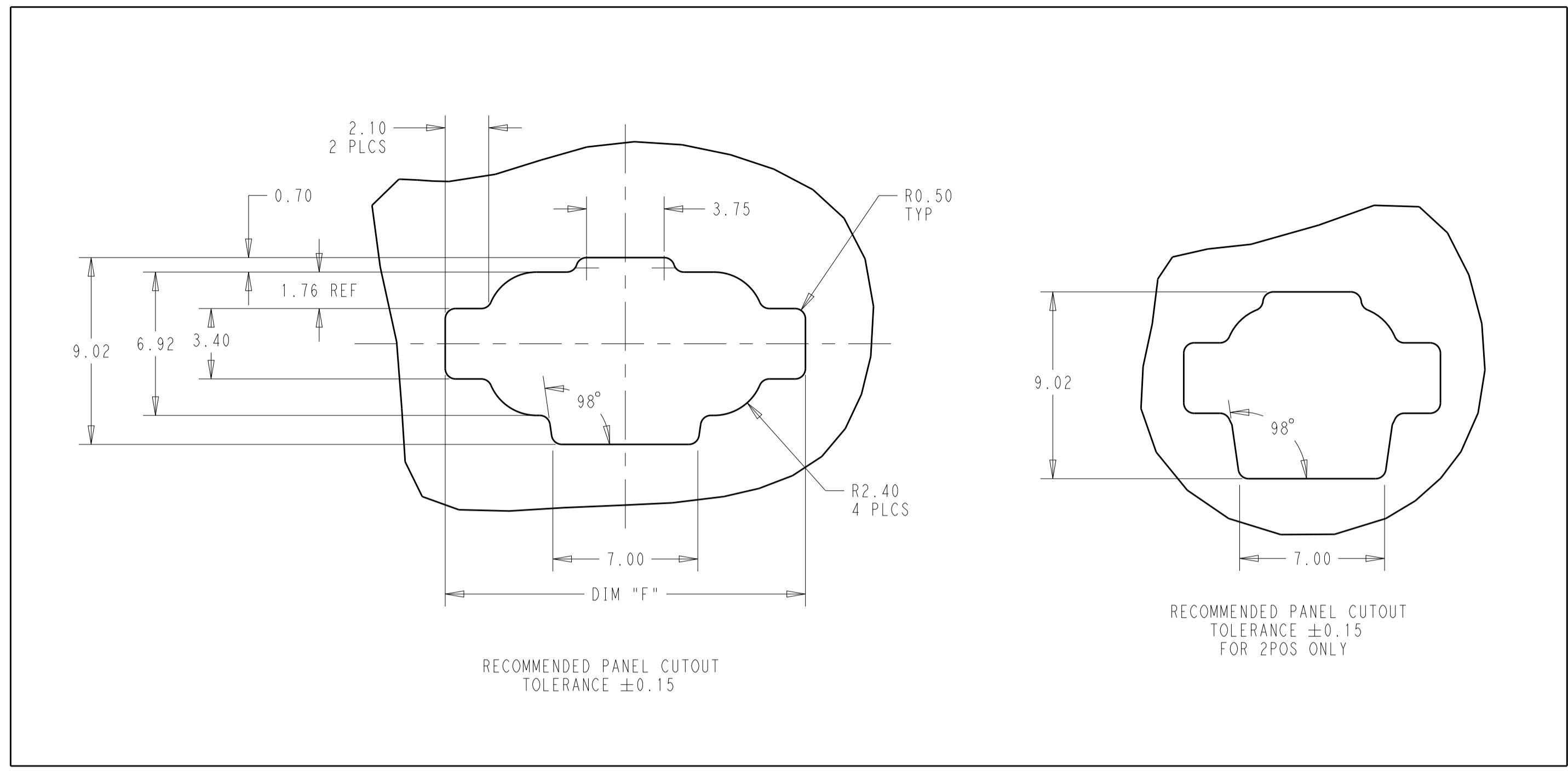
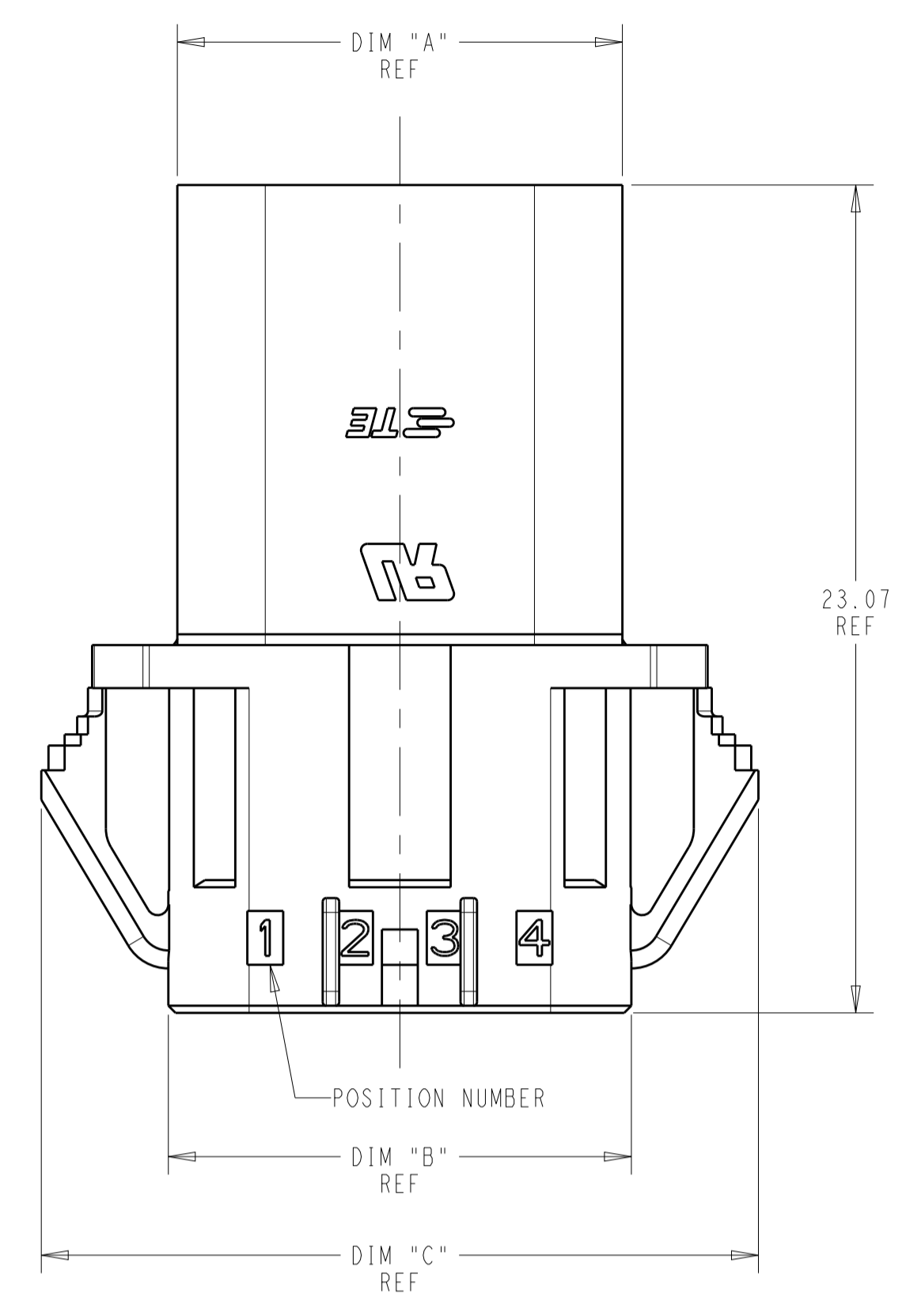
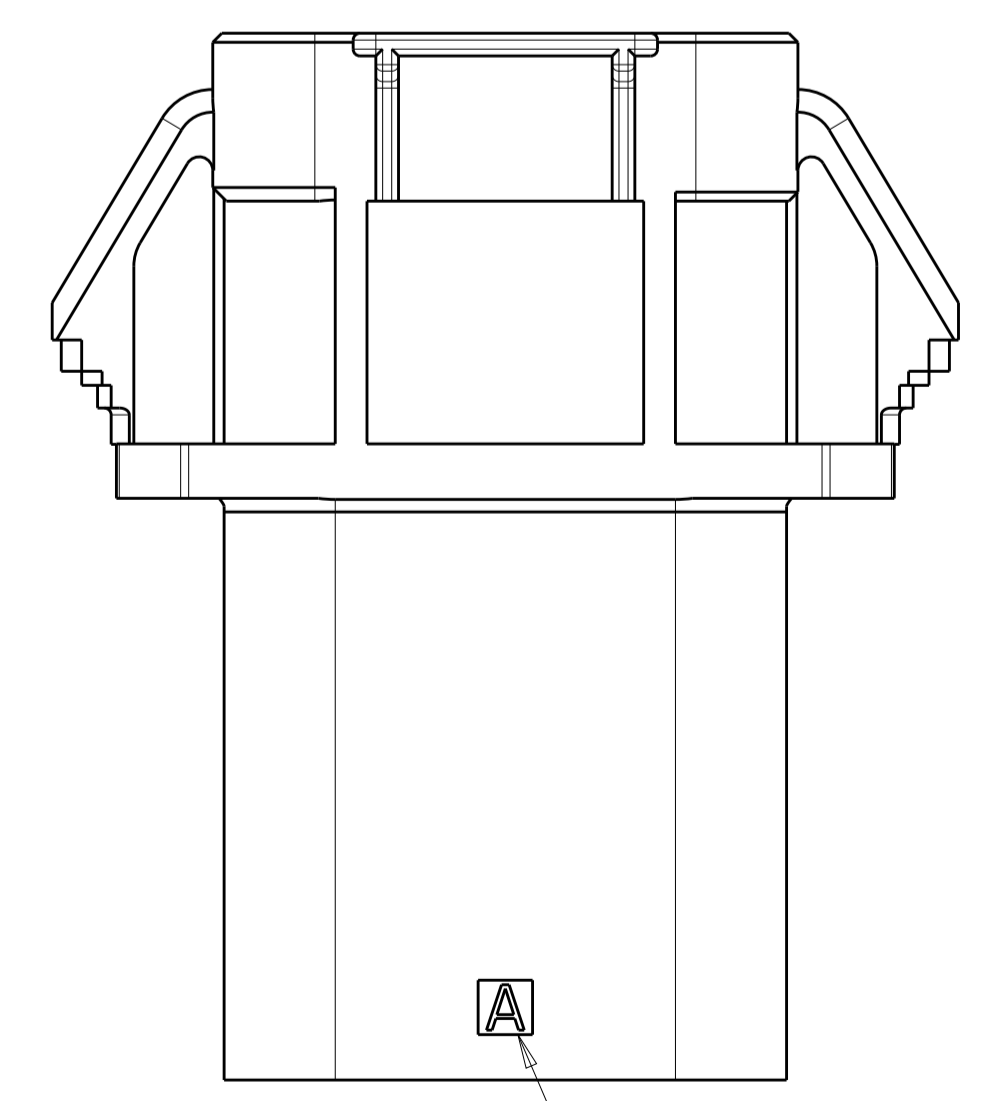
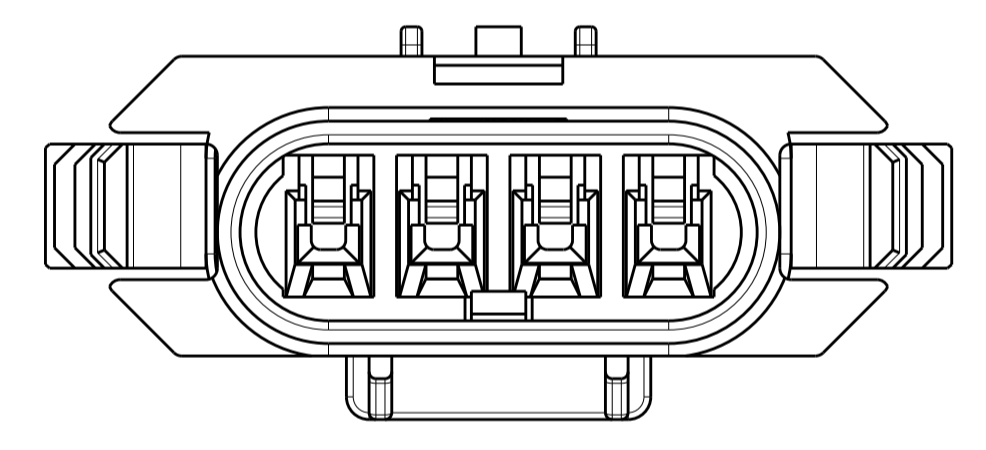
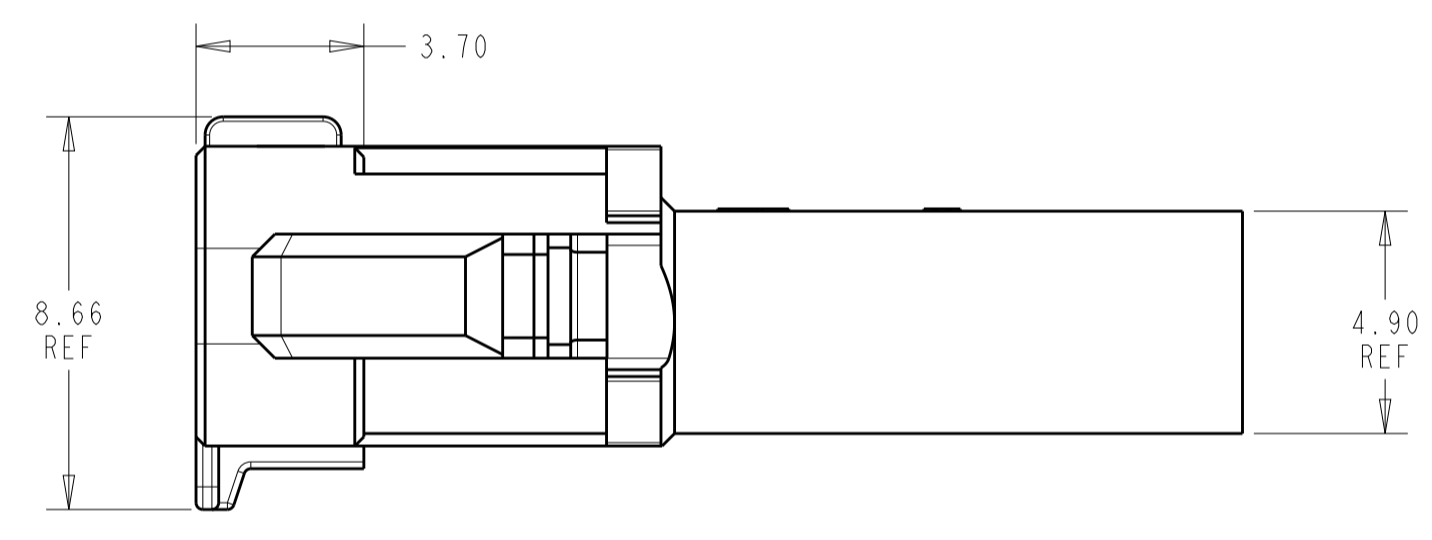
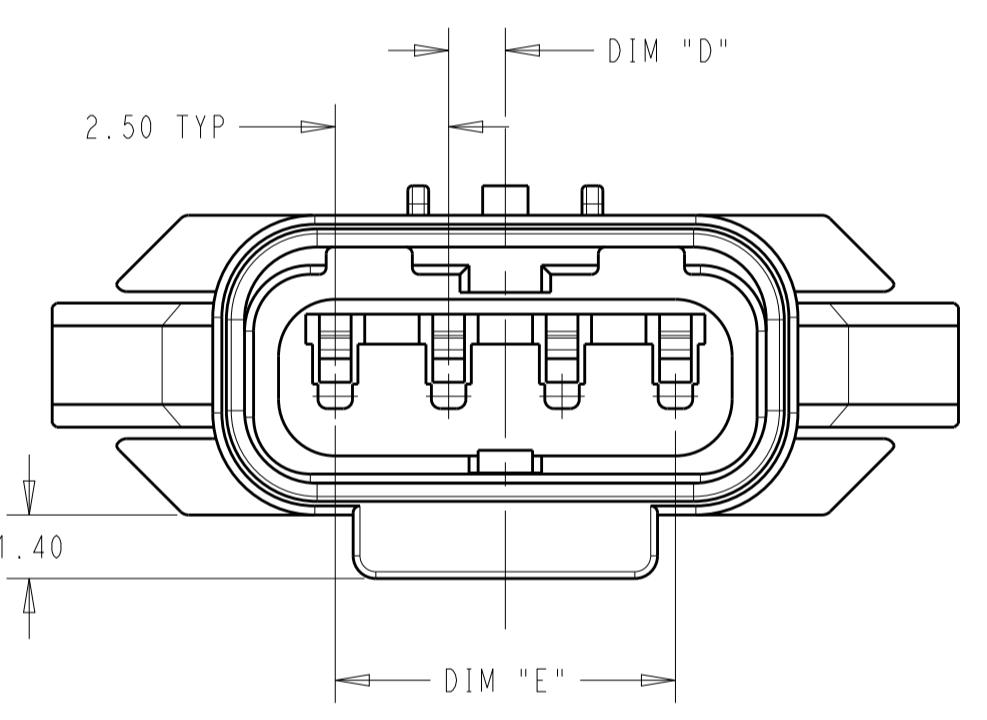
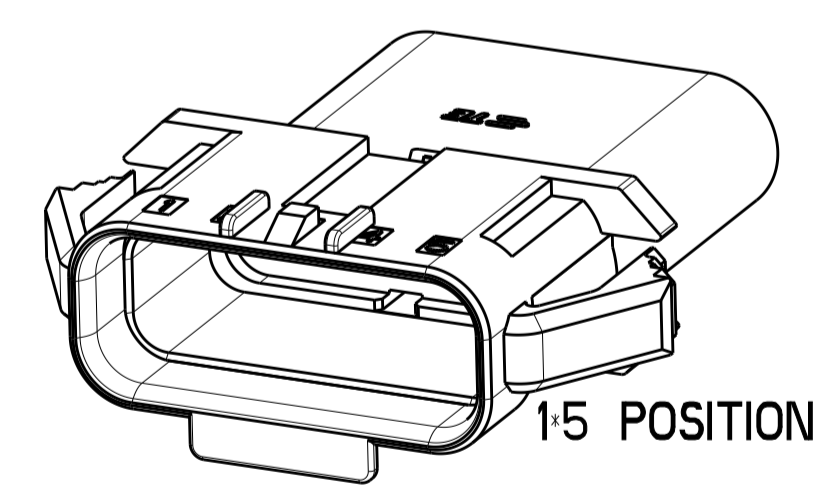
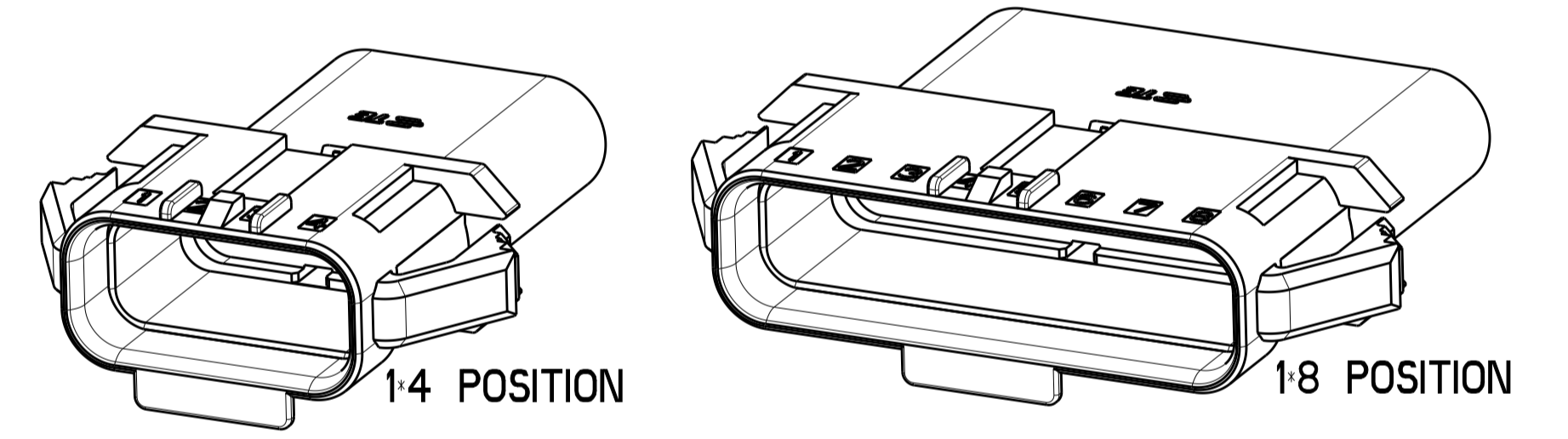
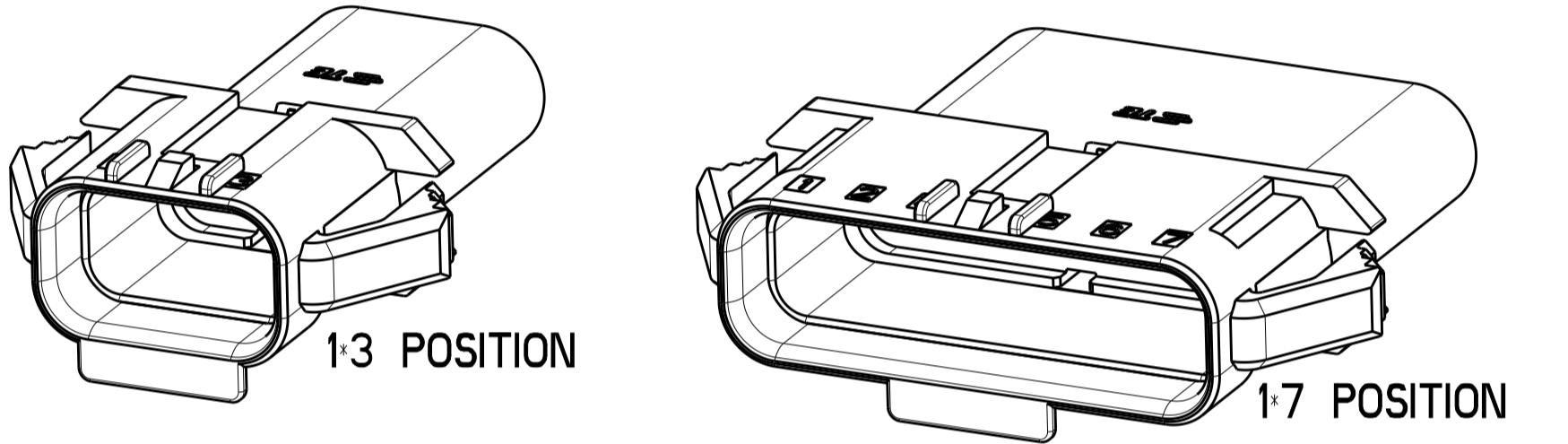
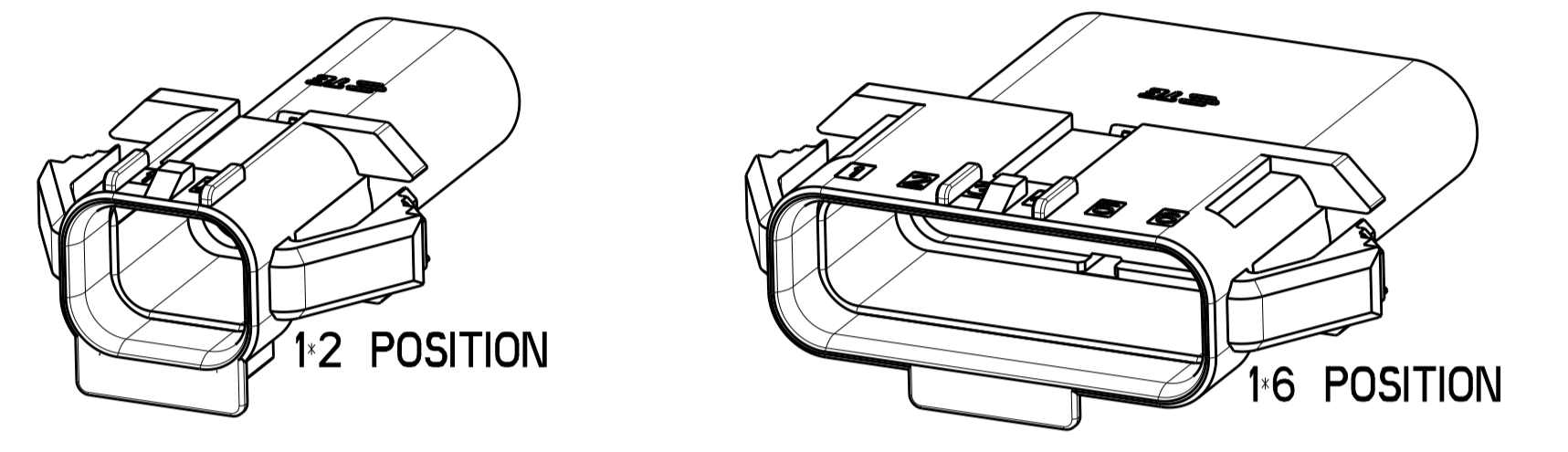


REVISIONS				
P	LTN	DESCRIPTION	DATE	OWN APVD
A		NEW RELEASE	12FEB2020	L.C D.2



- △ MATERIAL: PA66, UL94V-0, COLOR: NATURAL
- 2. APPLICABLE CONTACT P/N
2321928-1 OR 1-2321928-1
- 3. MATING CONNECTOR P/N
PLUG HSG: 2321918-
TPA (OPTIONAL): 2321927-
GANG SEAL: 2321922-*
- 4. COMPLY WITH GLOW WIRE REQUIREMENTS FOR PARTS OF NON-METALLIC MATERIAL SUPPORTING A CURRENT-CARRYING CONNECTION DETAILED IN IEC 60335-1, SECTION 30(GWT)
- △ PRELIMINARY PART - NOT RELEASED FOR PRODUCTION
THIS PART HAS NOT COMPLETED QUALIFICATION TESTING



27.4	17.50	1.25	29.98	22.90	22.40	1*8	△ 2321926-8
24.9	15.00	0	27.48	20.40	19.90	1*7	△ 2321926-7
22.4	12.50	1.25	24.98	17.90	17.40	1*6	2321926-6
19.9	10.00	0	22.48	15.40	14.90	1*5	2321926-5
17.4	7.50	1.25	19.98	12.90	12.40	1*4	2321926-4
14.9	5.00	0	17.48	10.40	9.90	1*3	2321926-3
12.4	2.50	1.25	14.98	7.90	7.40	1*2	2321926-2
DIM "F"	DIM "E"	DIM "D"	DIM "C"	DIM "B"	DIM "A"	POSN	PART NUMBER

THIS DRAWING IS A CONTROLLED DOCUMENT.

DIMENSIONS: mm

TOLERANCES UNLESS OTHERWISE SPECIFIED:

0 PLC	±
2 PLC	±0.25
3 PLC	±
4 PLC	±
ANGLES	±

MATERIAL: PA66

FINISH: -

DATE: 15FEB2019

CHK: B. WEAVER

CHK: S. FERNANDES

APVD: C. YI

PRODUCT SPEC: 108-143069

APPLICATION SPEC: 114-143067

WEIGHT: -

CUSTOMER DRAWING

NAME: SDL 25 Panel

SIZE: A1

CAGE CODE: 00779

DRAWING NO: 2321926

SCALE: 3:1

SHEET: 1 OF 1

REV: A

RESTRICTED TO: -

X-ON Electronics

Largest Supplier of Electrical and Electronic Components

Click to view similar products for [Headers & Wire Housings](#) category:

Click to view products by [TE Connectivity](#) manufacturer:

Other Similar products are found below :

[892-18-020-10-001101](#) [58102-G61-06LF](#) [582553-1](#) [0009485154](#) [009176003701906](#) [0050291907](#) [LY20-4P-DT1-P1E-BR](#) [02.125.8002.8](#)
[609-3404](#) [61062-3](#) [61082-181009](#) [622-3653LF](#) [63453-116](#) [636-1030](#) [636-1427](#) [636-3427](#) [636-4007](#) [641938-9](#) [641991-4](#) [644827-2](#) [65817-010LF](#) [65817-015LF](#) [65863-015LF](#) [66207-023LF](#) [67095-007LF](#) [67601157](#) [68645-018](#) [68648-049](#) [70.362.1628.0](#) [70-4210](#) [70-4226B](#) [70-4853B](#) [707-5020](#) [707-5028](#) [71.350.2428.0](#) [71918-208LF](#) [71961-016LF](#) [733-134](#) [733-162](#) [754199-000](#) [760-3052](#) [787-8014-00](#) [79531-3000](#)
[FCN-360C032-B](#) [FCN-367T-T012/H](#) [FCN-723D010/2](#) [80.063.4001.1](#) [800-90-001-10-001000](#) [800-90-010-10-002000](#) [801-43-002-10-013000](#)