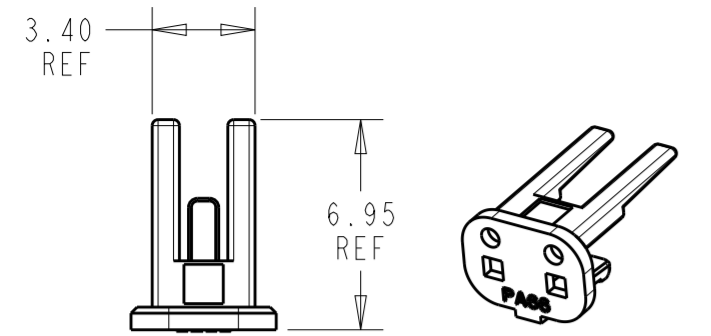
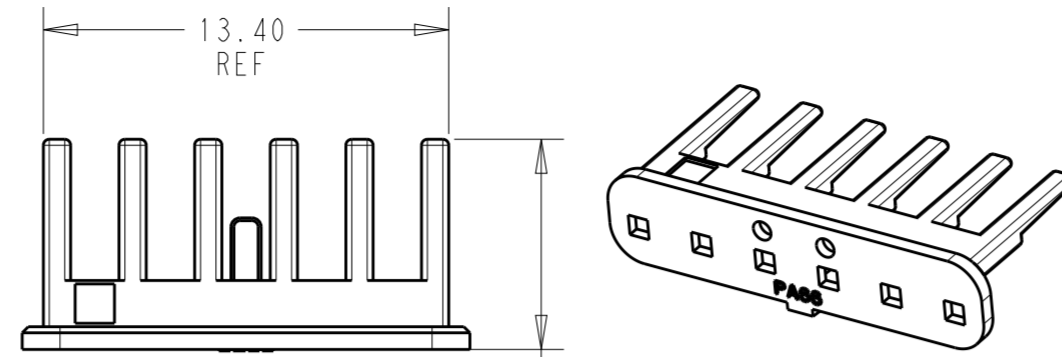
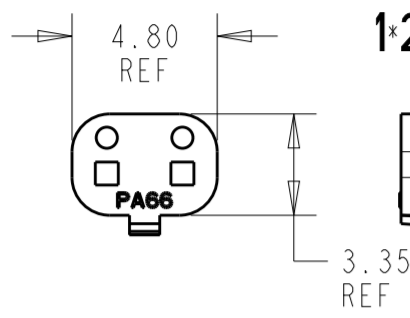


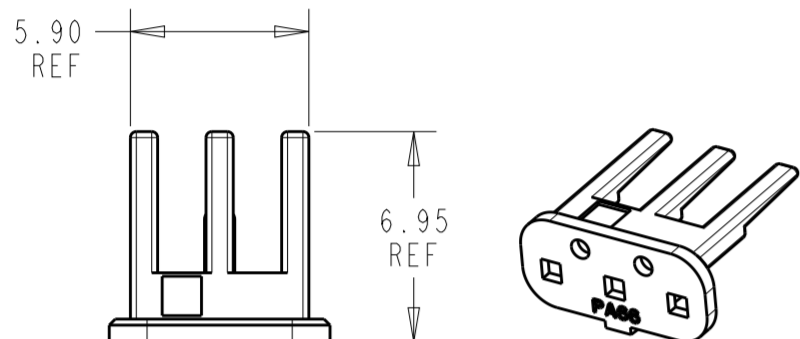
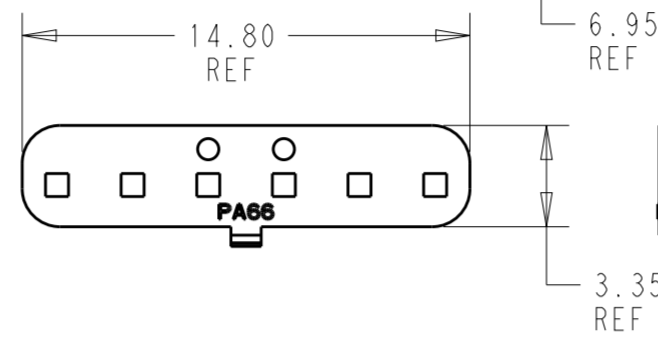
| REVISIONS |     |                            |           |        |
|-----------|-----|----------------------------|-----------|--------|
| P         | LTR | DESCRIPTION                | DATE      | APVD   |
| A         |     | RELEASED PER ECO-20-000545 | 13JAN2020 | BKW SF |
|           |     |                            |           |        |
|           |     |                            |           |        |



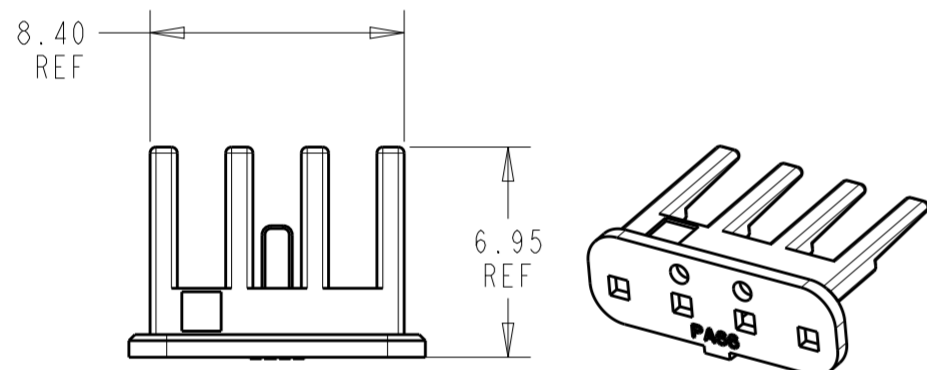
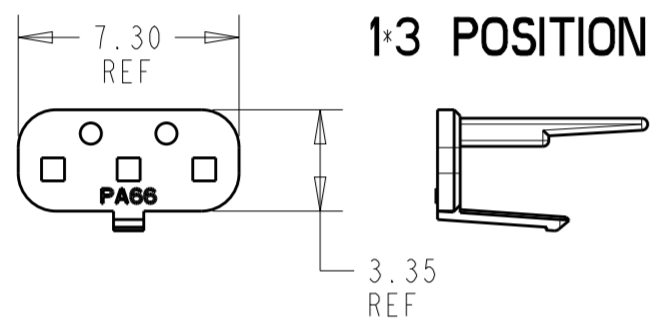
1x2 POSITION



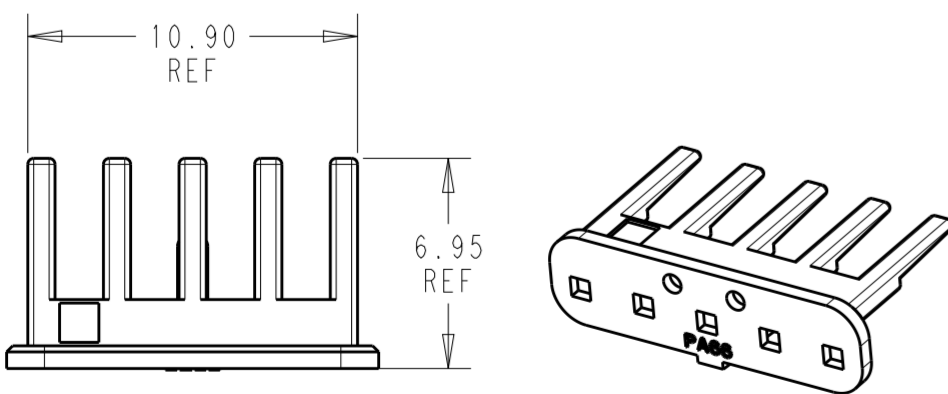
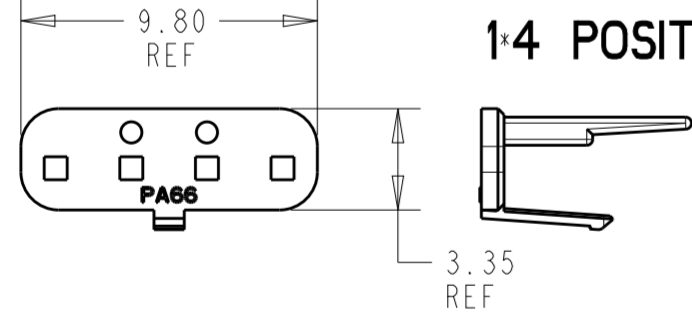
1x6 POSITION



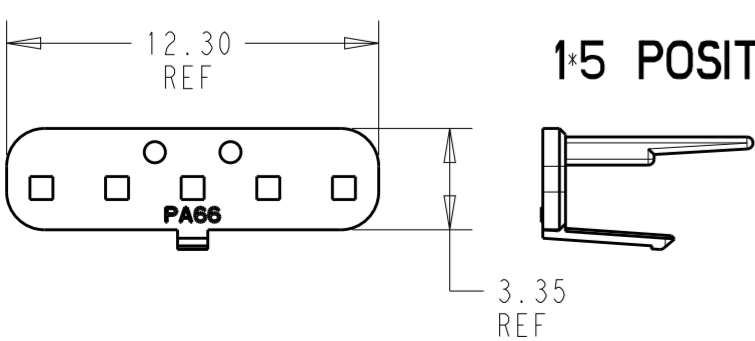
1x3 POSITION



1x4 POSITION



1x5 POSITION



⚠ MATERIAL: NYLON  
COLOR: BLACK

2. MATING CONNECTOR P/N'S:  
RECEPTACLE HSG: 2321926-\*/2321924-\*/\*-2329544-\*

|           |             |
|-----------|-------------|
| 1*6       | 2321927-6   |
| 1*5       | 2321927-5   |
| 1*4       | 2321927-4   |
| 1*3       | 2321927-3   |
| 1*2       | 2321927-2   |
| POSITIONS | PART NUMBER |

|  |  |                               |  |  |
|--|--|-------------------------------|--|--|
| THIS DRAWING IS A CONTROLLED DOCUMENT. |  | DWN<br>B. WEAVER<br>01FEB2019 | TE Connectivity                                      |  |
| DIMENSIONS:                            |  | CHK<br>C. YI<br>01FEB2019     |  |  |
| mm                                     | TOLERANCES UNLESS OTHERWISE SPECIFIED: | APVD<br>C. YI<br>01FEB2019    | NAME<br>FRONT TPA, RECEPTACLE, SDL 2.5<br>WATERPROOF |  |
|  | 0 PLC ±                                | PRODUCT SPEC                  | SIZE   |  |
|  | 1 PLC ±                                | APPLICATION SPEC              | CAGE CODE  |  |
|  | 2 PLC ±                                |                               | DRAWING NO   |  |
|  | 3 PLC ±                                | WEIGHT                        | RESTRICTED TO  |  |
|  | 4 PLC ±                                |                               | A2 00779 C-2321927                                   |  |
|  | ANGLES ±                               | CUSTOMER DRAWING              | SCALE 4:1 SHEET 1 OF 1 REV A                         |  |
|  | FINISH                                 |                               |  |  |

## X-ON Electronics

Largest Supplier of Electrical and Electronic Components

*Click to view similar products for [Headers & Wire Housings](#) category:*

*Click to view products by [TE Connectivity](#) manufacturer:*

Other Similar products are found below :

[892-18-020-10-001101](#) [58102-G61-06LF](#) [582553-1](#) [0009485154](#) [009176003701906](#) [0050291907](#) [LY20-4P-DT1-P1E-BR](#) [02.125.8002.8](#)  
[609-3404](#) [61062-3](#) [61082-181009](#) [622-3653LF](#) [63453-116](#) [636-1030](#) [636-1427](#) [636-3427](#) [636-4007](#) [641938-9](#) [641991-4](#) [644827-2](#) [65817-010LF](#) [65817-015LF](#) [65863-015LF](#) [66207-023LF](#) [67095-007LF](#) [67601157](#) [68645-018](#) [68648-049](#) [70.362.1628.0](#) [70-4210](#) [70-4226B](#) [70-4853B](#) [707-5020](#) [707-5028](#) [71.350.2428.0](#) [71918-208LF](#) [71961-016LF](#) [733-134](#) [733-162](#) [754199-000](#) [760-3052](#) [787-8014-00](#) [79531-3000](#)  
[FCN-360C032-B](#) [FCN-367T-T012/H](#) [FCN-723D010/2](#) [80.063.4001.1](#) [800-90-001-10-001000](#) [800-90-010-10-002000](#) [801-43-002-10-013000](#)