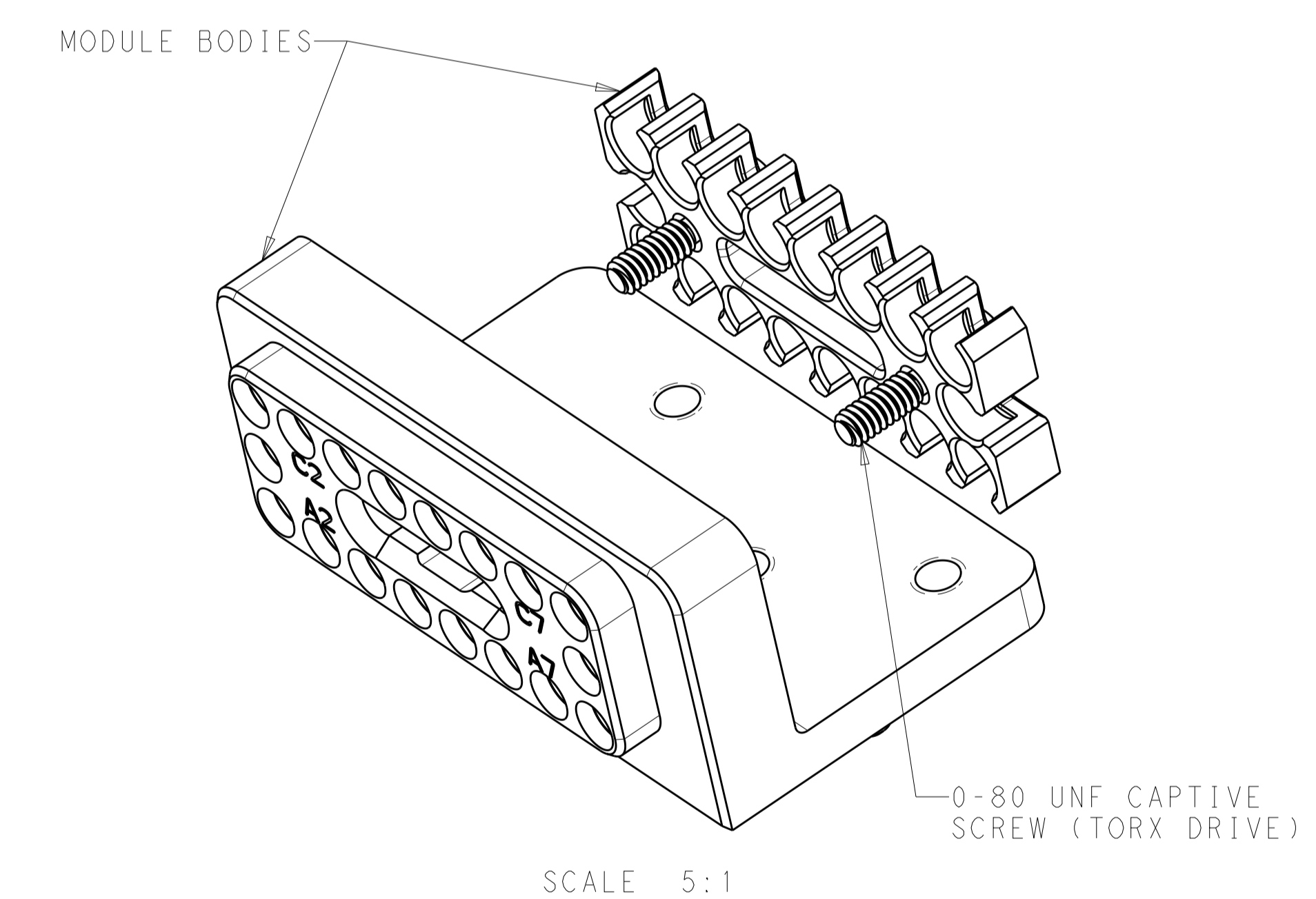
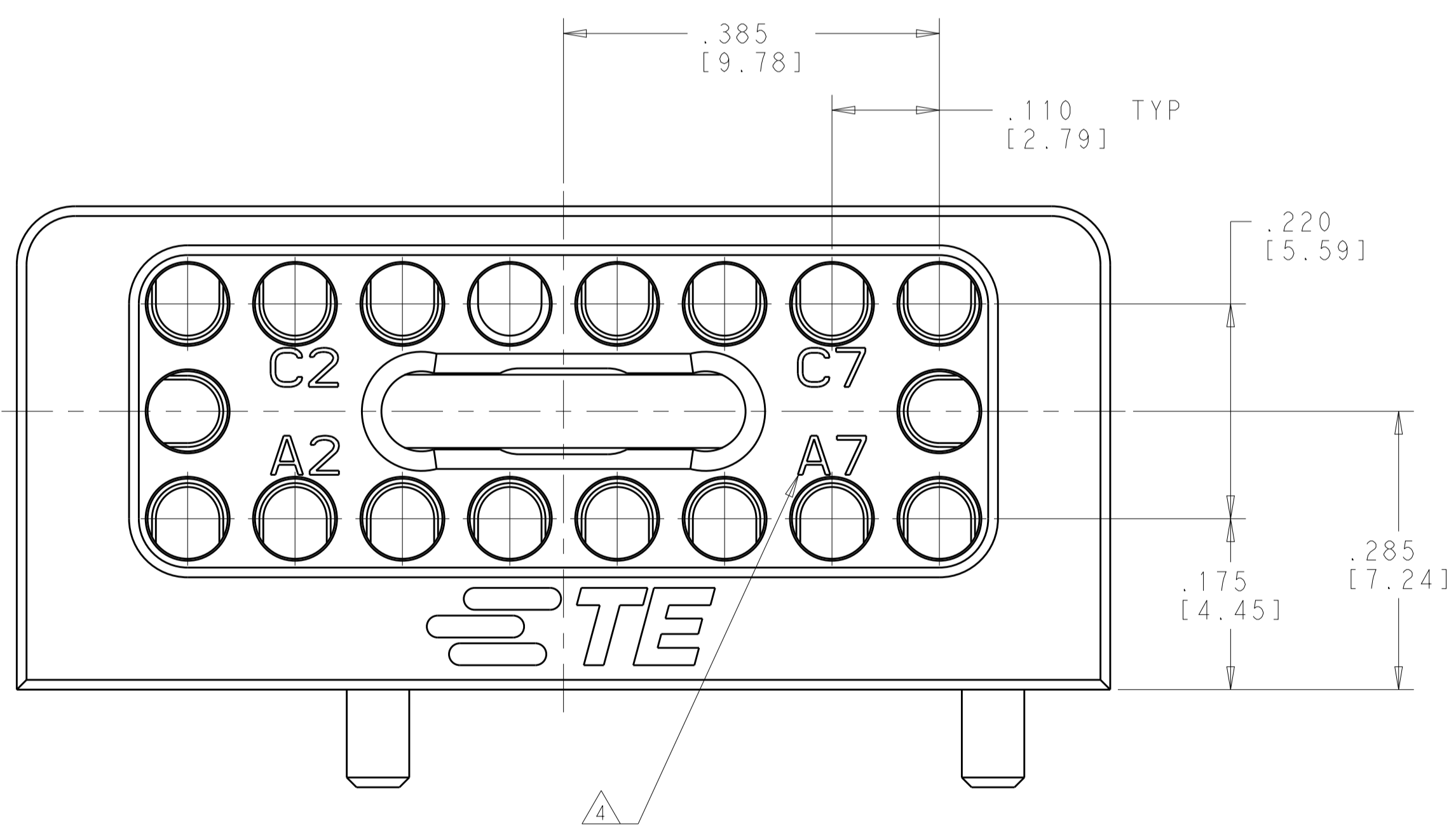
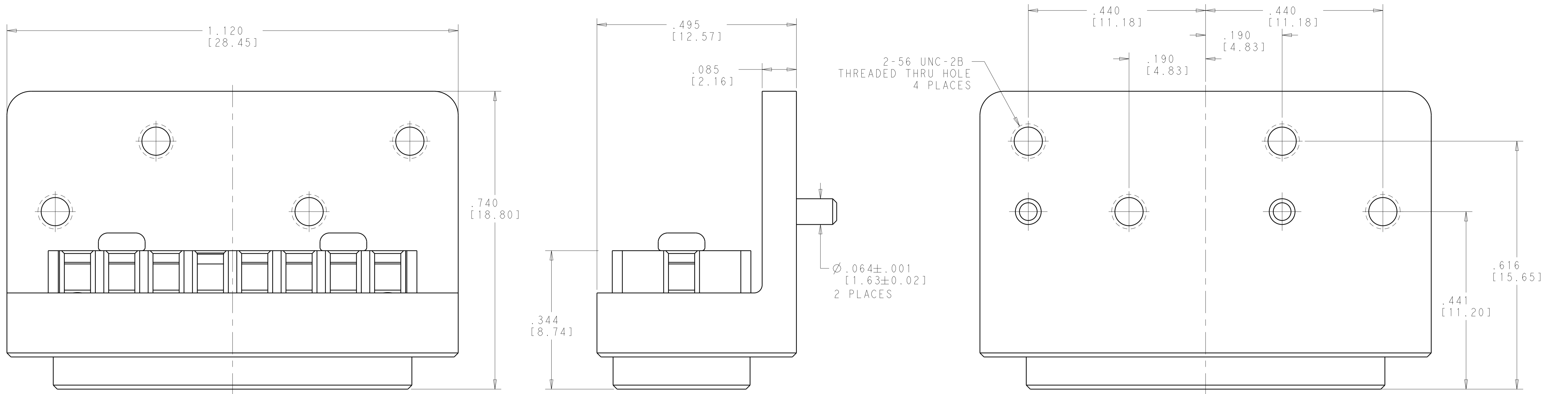


| REVISIONS | | | | |
|-----------|-----|-----------------------|--------|----------|
| P. | LTA | DESCRIPTION | DATE | OWN APVD |
| B | | REV PER ECO 19-004877 | 4-2-19 | CT FB |
| | | | | |
| | | | | |

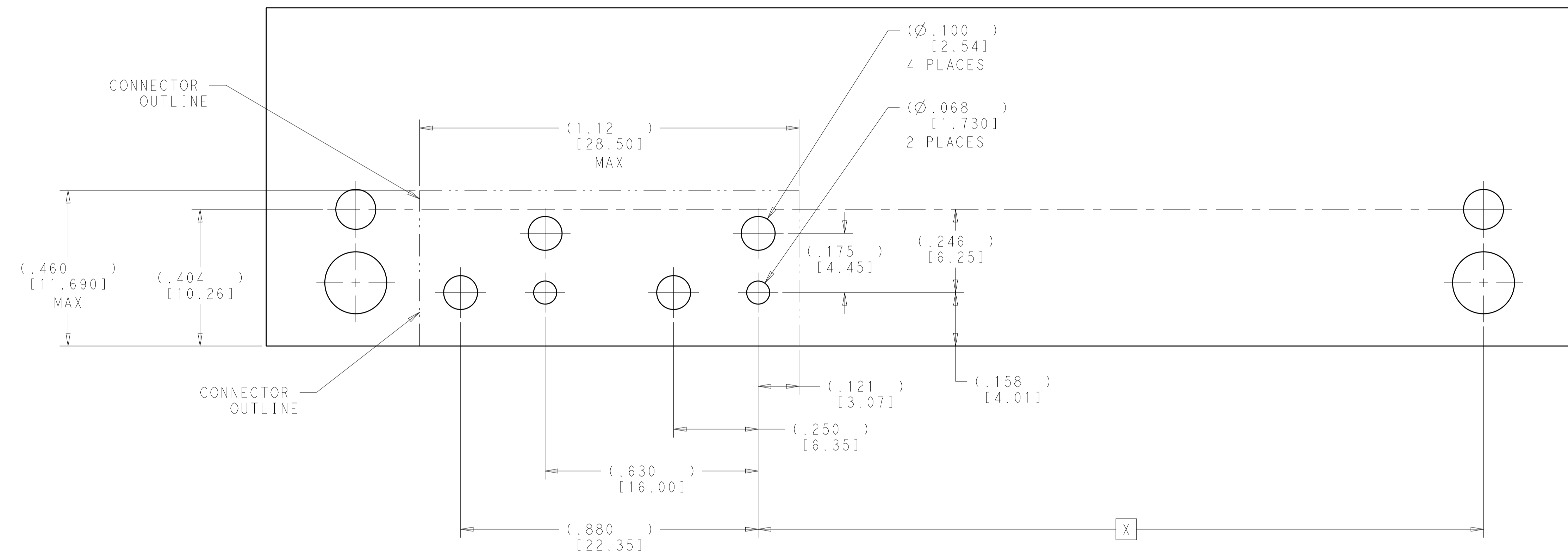


- 1 MATERIAL:
MODULE BODIES - SEE TABLE
SCREWS - 300 SERIES STAINLESS STEEL
- 2 FINISH:
MODULE BODIES - SEE TABLE
SCREWS - PASSIVATED
- 3. SHIPPED IN KIT FORM.
- 4 CIRCUIT IDENTIFICATION MARKING
- 5 P3 MODULE LOCATION CAN BE MOVED -.129[3.28] TO POSITION P3 = 3.702[94.03] TO ALLOW FOR USE OF A FULL MULTIGIG CONNECTOR IN P4. THE BACKPLANE MODULE POSITION MUST ALSO BE ADJUSTED ACCORDINGLY.

| | | |
|-----------------------------------|--------------------------------|-------------|
| CLEAR CHROMATE CONVERSION COATING | ALUMINUM ALLOY 7075 | 2322335-2 |
| PASSIVATED | STAINLESS STEEL PER UNS S30300 | 2322335-1 |
| MODULE FINISH 2 | MODULE MATERIAL 1 | PART NUMBER |

| | | | |
|--|--|------------------------------|---|
| THIS DRAWING IS A CONTROLLED DOCUMENT. | | OWN: R. MILLER 30JUN2017 | |
| DIMENSIONS: INCHES/mm | | CHK: D. WILSON 30JUN2017 | |
| TOLERANCES UNLESS OTHERWISE SPECIFIED: | | APVD: K. DOWNHOWER 11APR2018 | 18 POSITION NanoRF MODULE, PCB MOUNT - DAUGHTERCARD VITA |
| 0 PLC ± | | PRODUCT SPEC: 108-163006 | |
| 1 PLC ± | | APPLICATION SPEC: 408-163016 | SIZE: A |
| 2 PLC ±.005[0.13] | | WEIGHT: - | RESTRICTED TO: - |
| 3 PLC ± | | CUSTOMER DRAWING | SCALE: 8:1 |
| 4 PLC ± | | | SHEET 1 OF 2 |
| ANGLES ± | | | REV B |

| REVISIONS | | | | |
|-----------|-----|-------------|------|------|
| P. | LTN | DESCRIPTION | DATE | APVD |
| - | | SEE SHEET 1 | - | - |
| | | | | |
| | | | | |



DESIGNED FOR VITA 67.2 PCB LAYOUT
(VIEW FROM TOP SIDE)

| | |
|----------|---------------|
| P2 | 2.145[54.48] |
| △ P3 | 3.831[97.31] |
| P4 | 4.965[126.11] |
| P5 | 6.099[154.91] |
| P6 | 7.233[183.71] |
| POSITION | DIM "X" |

| | | | | |
|--|--|--|---|---|
| THIS DRAWING IS A CONTROLLED DOCUMENT. | | DWN: R. MILLER 30JUN2017 CHK: D. WILSON 30JUN2017 APVD: K. DOWNHOWER 11APR2018 | TE Connectivity | |
| DIMENSIONS: INCHES/mm | TOLERANCES UNLESS OTHERWISE SPECIFIED: 0 PLC ±. 1 PLC ±. 2 PLC ±. 3 PLC ±.005(0.13) 4 PLC ±. ANGLES ±. FINISH | PRODUCT SPEC: 108-163006 APPLICATION SPEC: 408-163016 WEIGHT: | NAME: 18 POSITION NanoRF MODULE, PCB MOUNT - DAUGHTERCARD VITA SIZE: A 00779 C=2322335 SCALE: 4:1 | RESTRICTED TO: B SHEET: 2 OF 2 REV: B |
| MATERIAL: | | CUSTOMER DRAWING | | |

X-ON Electronics

Largest Supplier of Electrical and Electronic Components

Click to view similar products for [RF Connector Accessories](#) category:

Click to view products by [TE Connectivity](#) manufacturer:

Other Similar products are found below :

[89674-0712](#) [F702RX24](#) [FERRULE-174](#) [R141802000](#) [R141805000](#) [R141842000](#) [R161862000](#) [R161862000W](#) [R280752000](#) [R280907000](#)
[R694261906](#) [RFI21-13](#) [RFI75-13-D2](#) [RFI75-4-D2](#) [AX102906](#) [AX102907](#) [18097-0013](#) [HP-375](#) [HP-500](#) [2098-0294-00](#) [2098-3251-94](#) [KA-](#)
[81-05](#) [89674-0805](#) [F1](#) [FERRULE-223](#) [202102-11](#) [213337-1](#) [220222-2](#) [24092671A](#) [24092678A](#) [R161841000](#) [R280468000](#) [R280510000](#)
[R282862060](#) [RFI155-1](#) [RFI25-12-D3](#) [RFI25-5](#) [RFI25-5-D3](#) [RFI75-12-D2](#) [RFI75-2-D2](#) [RFI75-4-D3](#) [RFI77-6](#) [360HS001M2508M6](#) [4-](#)
[1532137-4](#) [5-21085-0](#) [105274-1000](#) [111062-0490](#) [112122-SOD-LUG](#) [112-NUT-KNURL](#) [IPP-2014](#)