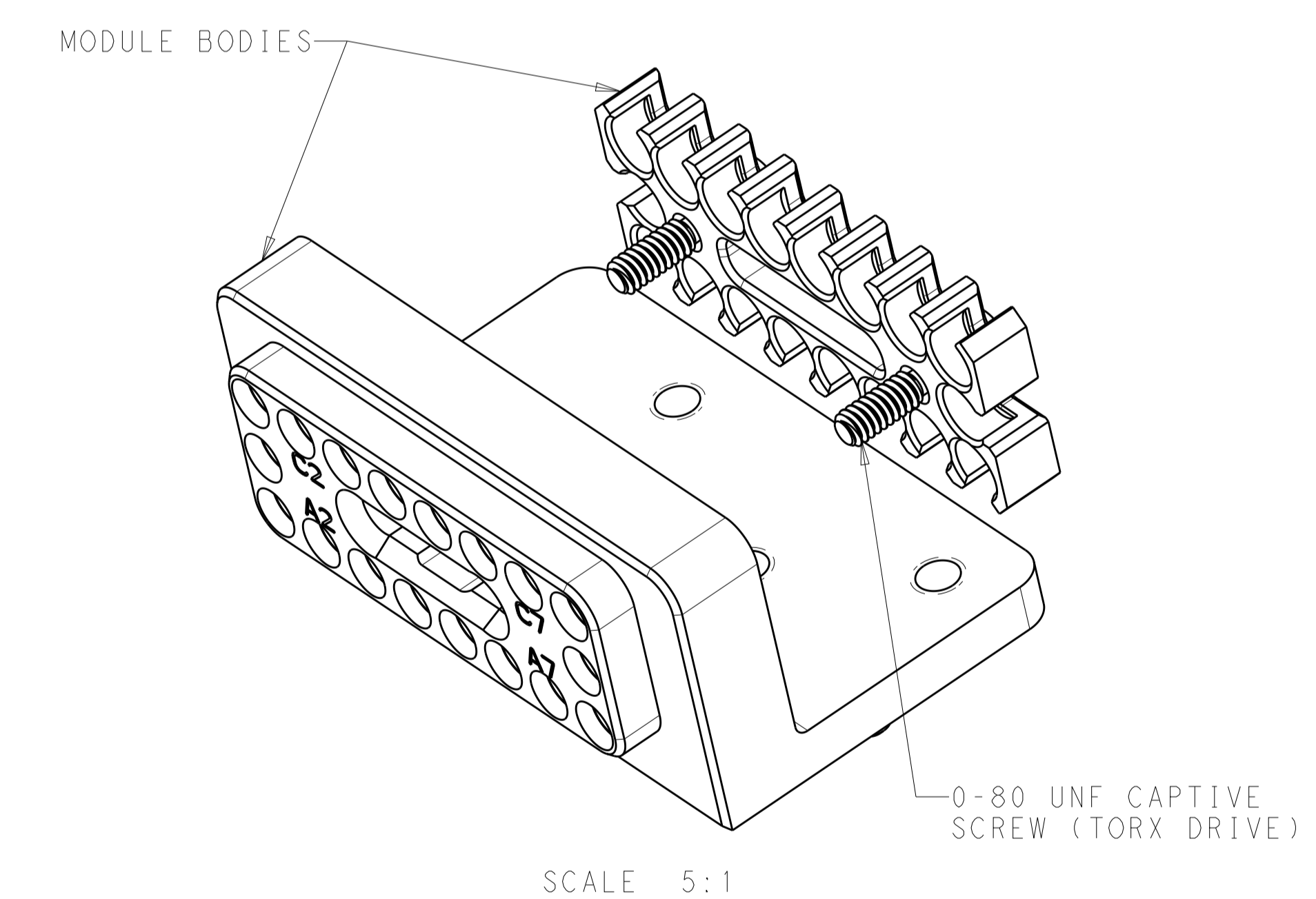
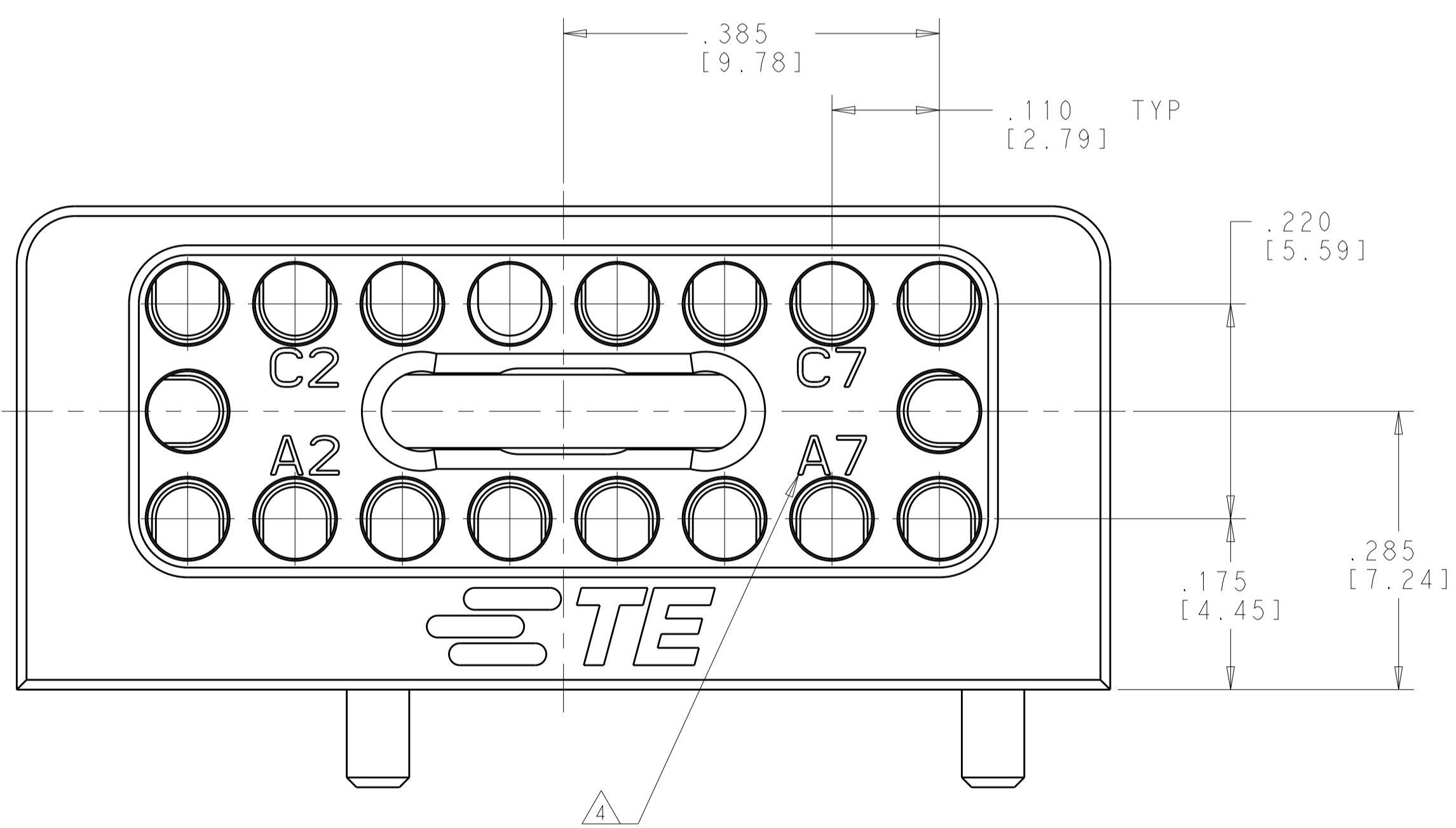
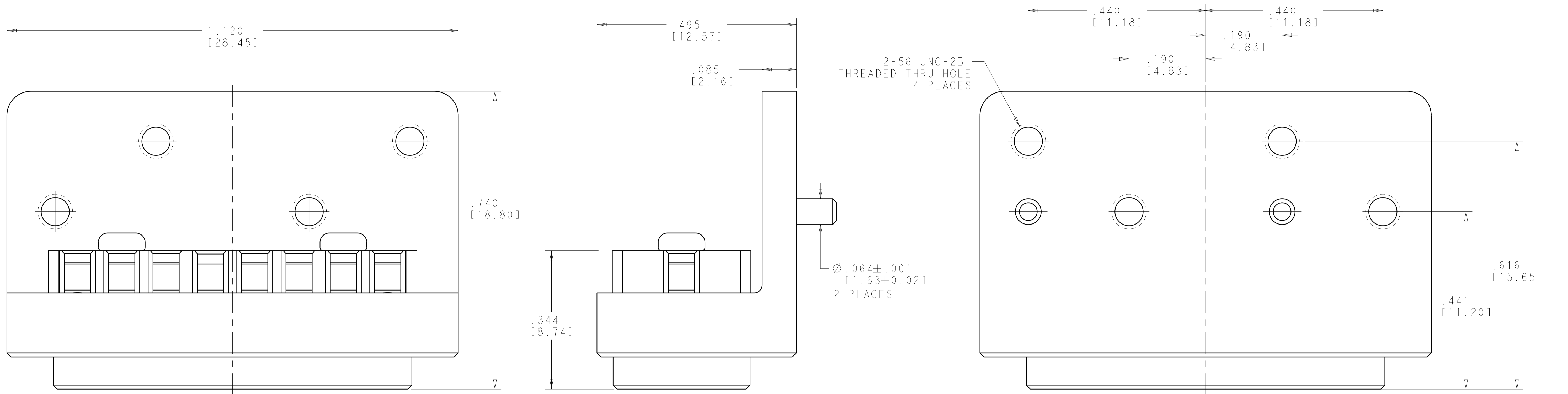


REVISIONS				
P.	LTN	DESCRIPTION	DATE	APVD
B		REV PER ECO 19-004877	4-2-19	CT FB

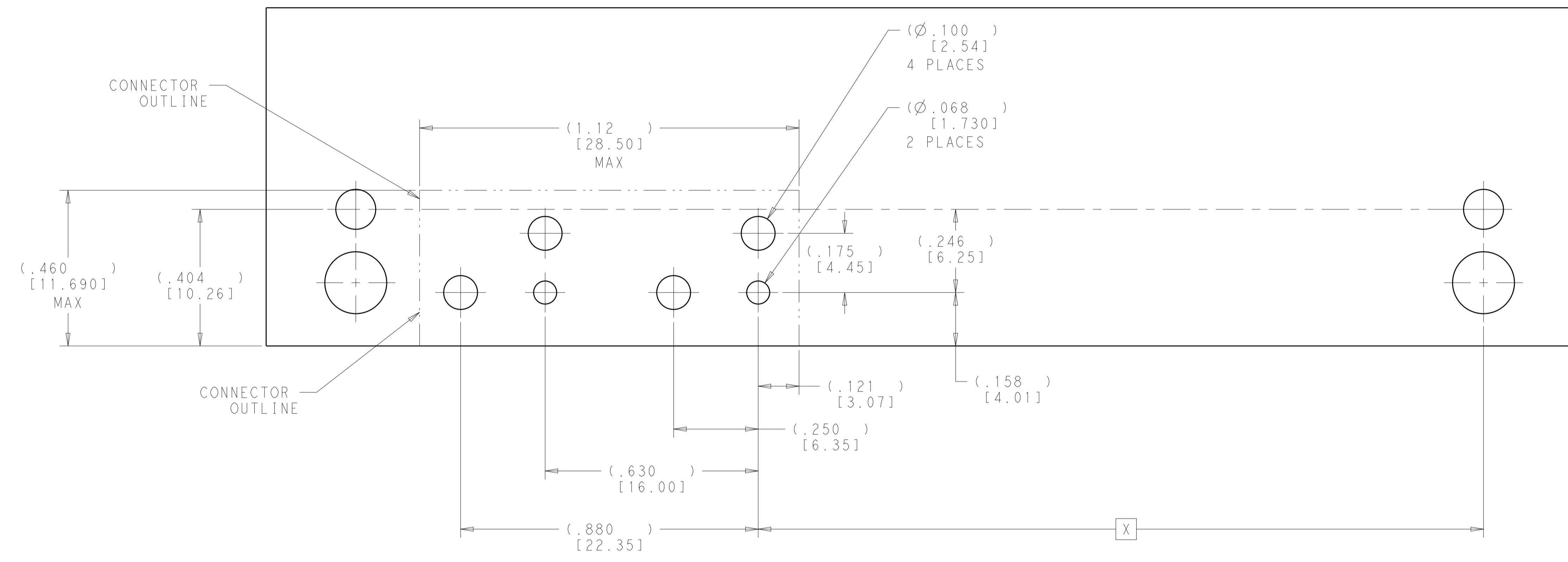


- 1 MATERIAL:
MODULE BODIES - SEE TABLE
SCREWS - 300 SERIES STAINLESS STEEL
- 2 FINISH:
MODULE BODIES - SEE TABLE
SCREWS - PASSIVATED
- 3. SHIPPED IN KIT FORM.
- 4 CIRCUIT IDENTIFICATION MARKING
- 5 P3 MODULE LOCATION CAN BE MOVED -.129[3.28] TO POSITION P3 = 3.702[94.03] TO ALLOW FOR USE OF A FULL MULTIGIG CONNECTOR IN P4. THE BACKPLANE MODULE POSITION MUST ALSO BE ADJUSTED ACCORDINGLY.

CLEAR CHROMATE CONVERSION COATING	ALUMINUM ALLOY 7075	2322335-2
PASSIVATED	STAINLESS STEEL PER UNS S30300	2322335-1
MODULE FINISH 2	MODULE MATERIAL 1	PART NUMBER

THIS DRAWING IS A CONTROLLED DOCUMENT.		OWN R. MILLER 30 JUN 2017	TE Connectivity	
DIMENSIONS: INCHES/mm		CHK D. WILSON 30 JUN 2017	NAME 18 POSITION NanoRF MODULE, PCB MOUNT - DAUGHTERCARD VITA	
TOLERANCES UNLESS OTHERWISE SPECIFIED:		APVD K. DOWNHOWER 11 APR 2018	PRODUCT SPEC 108-163006	
0 PLC ±		APPLICATION SPEC 408-163016	SIZE A100779C=2322335	
1 PLC ±		WEIGHT	RESTRICTED TO	
2 PLC ±.005[0.13]		CUSTOMER DRAWING	SCALE 8:1 SHEET 1 OF 2 REV B	
3 PLC ±				
4 PLC ±				
ANGLES ±				
FINISH				

REVISIONS				
P.	LTN	DESCRIPTION	DATE	APVD
-	SEE SHEET 1			



DESIGNED FOR VITA 67.2 PCB LAYOUT
(VIEW FROM TOP SIDE)

P2	2.145[54.48]
\triangle P3	3.831[97.31]
P4	4.965[126.11]
P5	6.099[154.91]
P6	7.233[183.71]
POSITION	DIM "X"

THIS DRAWING IS A CONTROLLED DOCUMENT.

DWN R. MILLER 30 JUN 2017	CHK D. WILSON 30 JUN 2017	APVD K. DOWNHOWER 11 APR 2018	NAME 18 POSITION NanoRF MODULE, PCB MOUNT - DAUGHTERCARD VITA
DIMENSIONS: INCHES/mm		TOLERANCES UNLESS OTHERWISE SPECIFIED:	PRODUCT SPEC 108-163006
		0 PLC ± 1 PLC ± 2 PLC ± 3 PLC ±.005(0.13) 4 PLC ± ANGLES ± FINISH ±	APPLICATION SPEC 408-163016
MATERIAL	WEIGHT	SIZE A	RESTRICTED TO
CUSTOMER DRAWING		SCALE 4:1	SHEET 2 OF 2
		REV B	

4805 (3/13)

X-ON Electronics

Largest Supplier of Electrical and Electronic Components

Click to view similar products for [RF Connectors / Coaxial Connectors](#) category:

Click to view products by [TE Connectivity](#) manufacturer:

Other Similar products are found below :

[8915-1511-000](#) [89674-0827](#) [6001-7071-019](#) [6002-7051-003](#) [6002-7551-202](#) [6059674-1](#) [619550-1](#) [630059-000](#) [M39030/3-01N](#) [6500-7071-046](#) [6769](#) [CX050L2AQ](#) [7002-1541-010](#) [7002-1542-011](#) [7004-1512-000](#) [7009-1511-004](#) [7010-1511-000](#) [7029-1511-060](#) [7101-1541-010](#) [7101-1571-002](#) [7105-1521-002](#) [7145-1521-002](#) [7203-1571-003](#) [7209-1511-011](#) [7210-1511-015](#) [7210-1511-019](#) [73137-5015](#) [73216-2241](#) [73404-2300](#) [7405-1521-005](#) [7405-1521-802](#) [8527](#) [8547](#) [FS11V](#) [877931](#) [9049-9513-000](#) [9074-9513-000](#) [9101-9573-002](#) [910A205F](#) [9130-9573-002](#) [PL11SC-026](#) [PL375-33](#) [PL40-5](#) [PL74C-221](#) [PL75MC-217](#) [PL803-7](#) [1200690078](#) [1-201144-1](#) [R107003010W](#) [R110A172100](#)