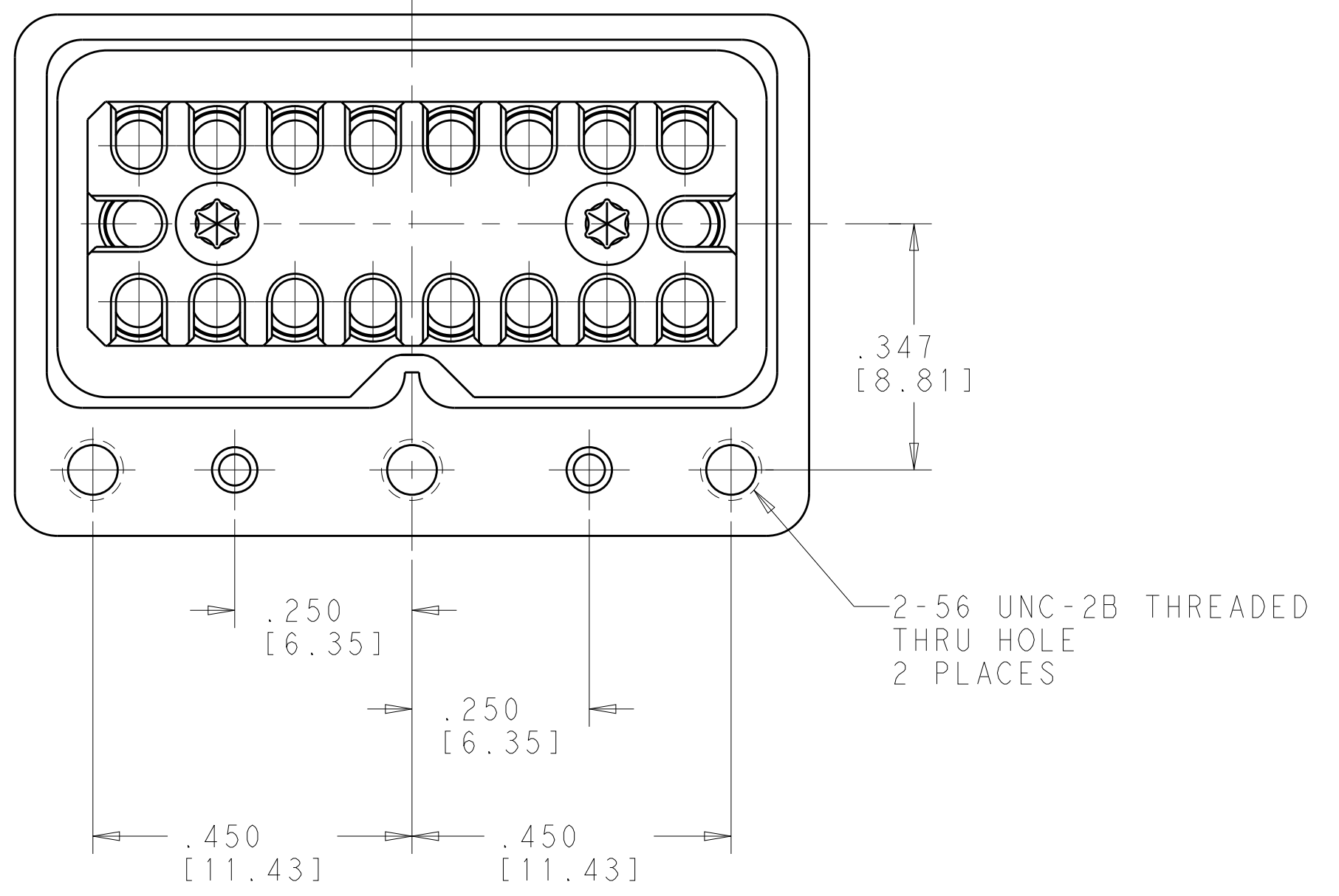
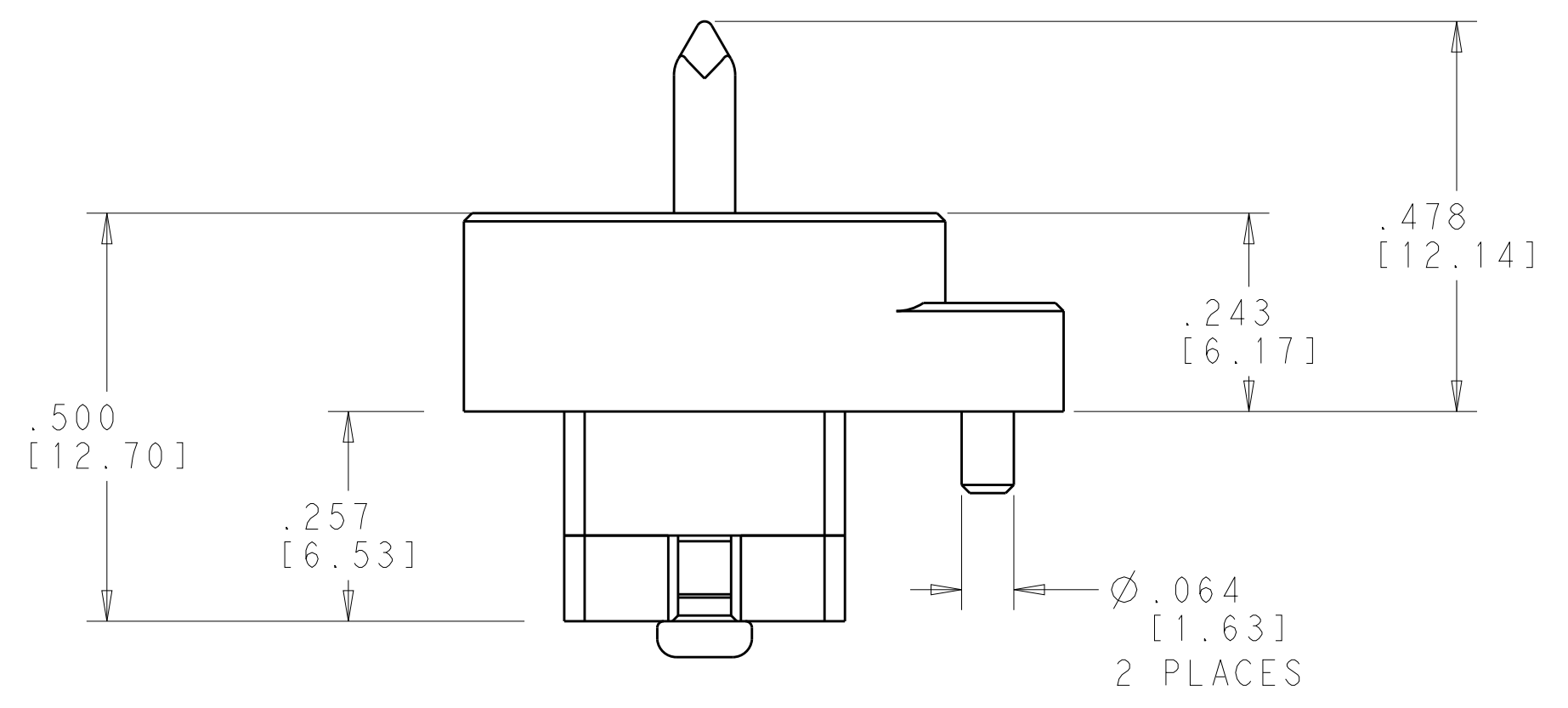
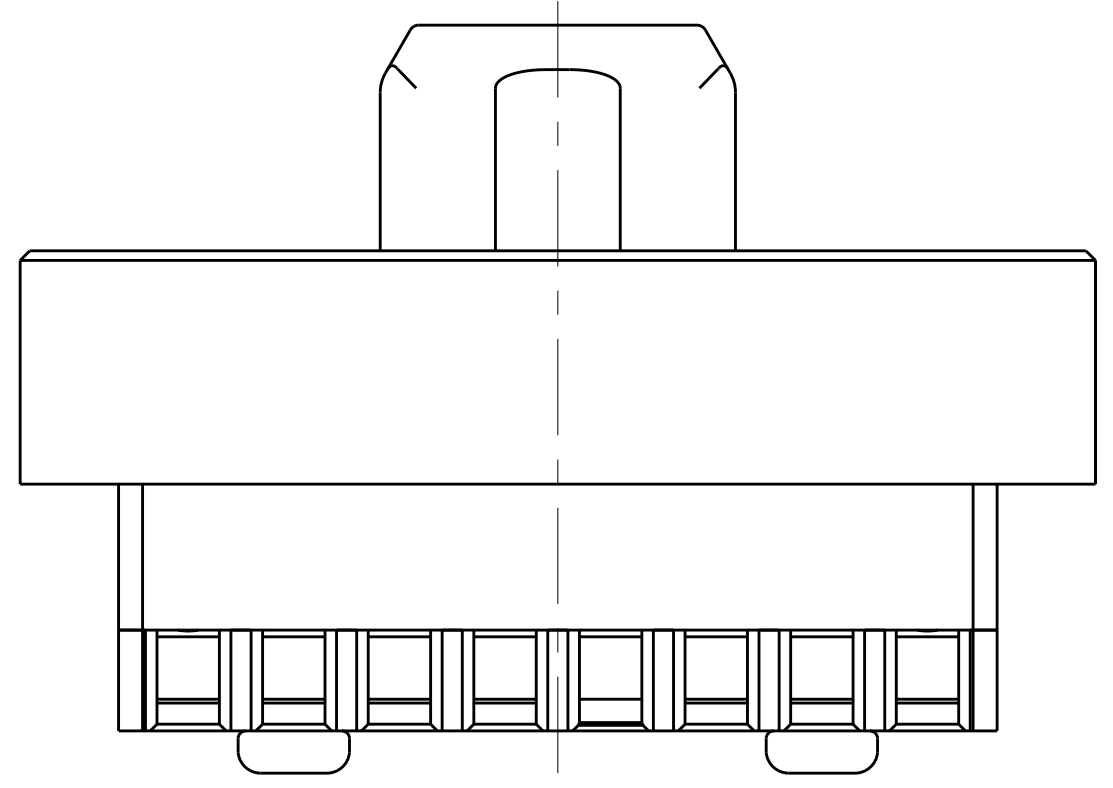
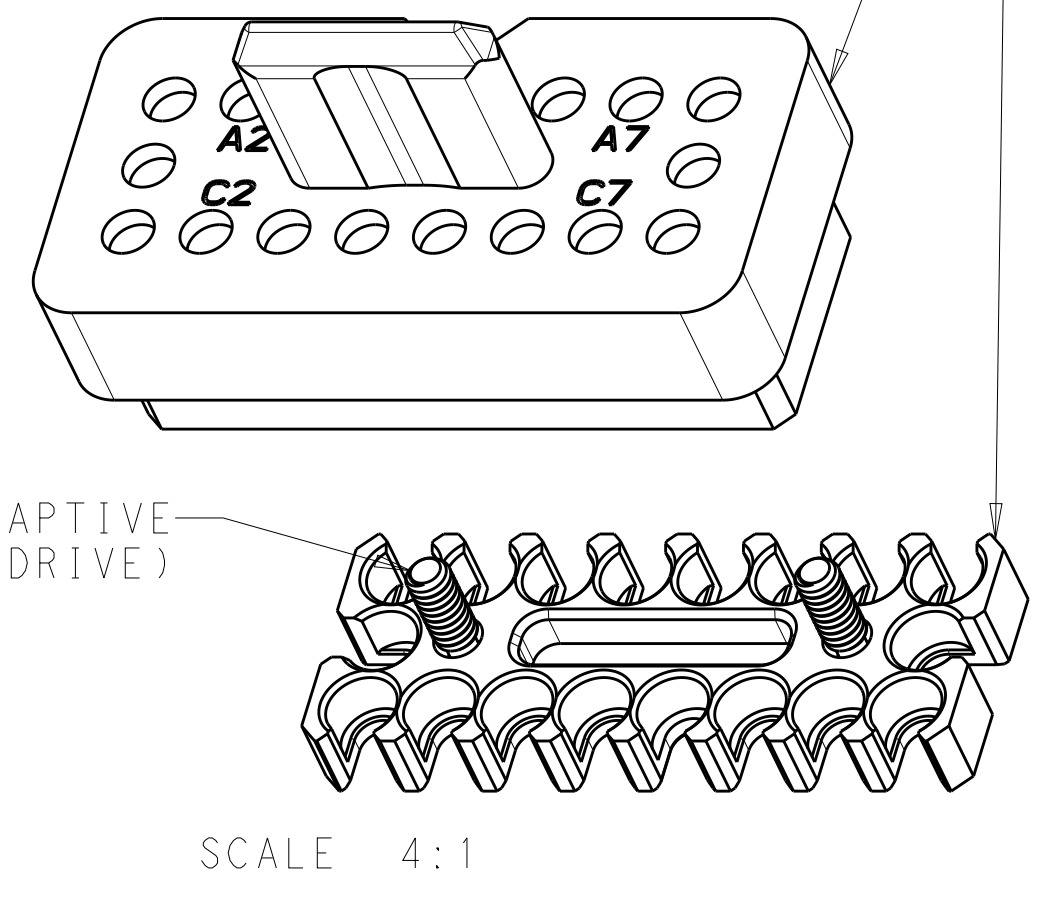
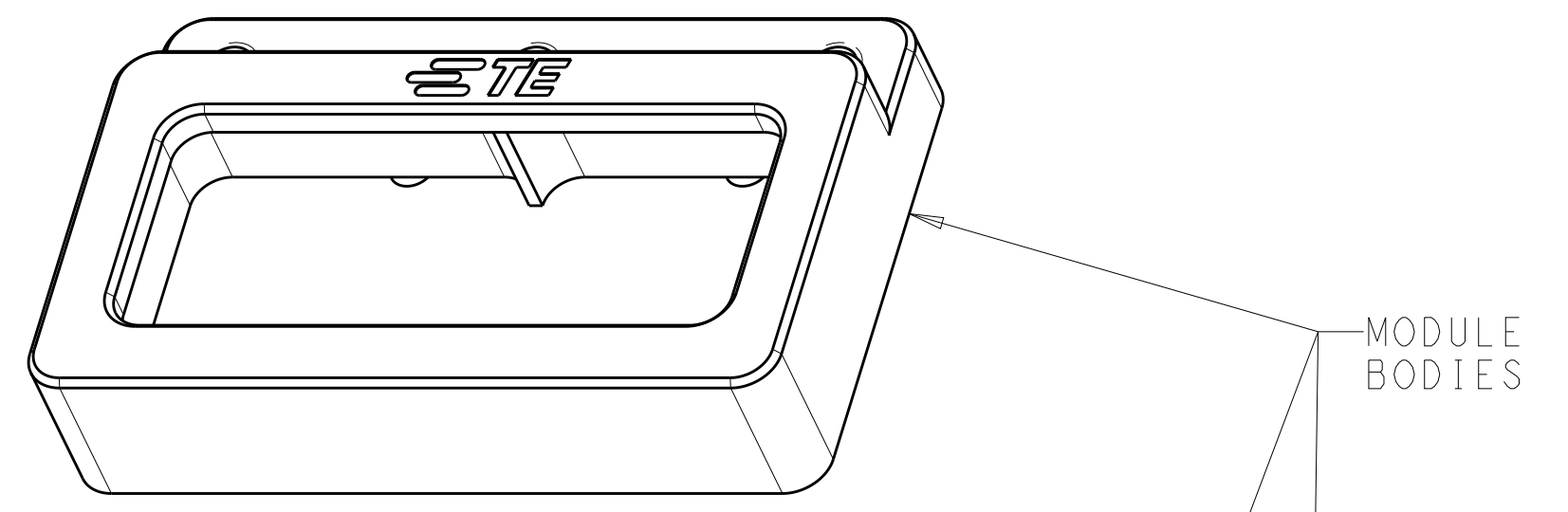
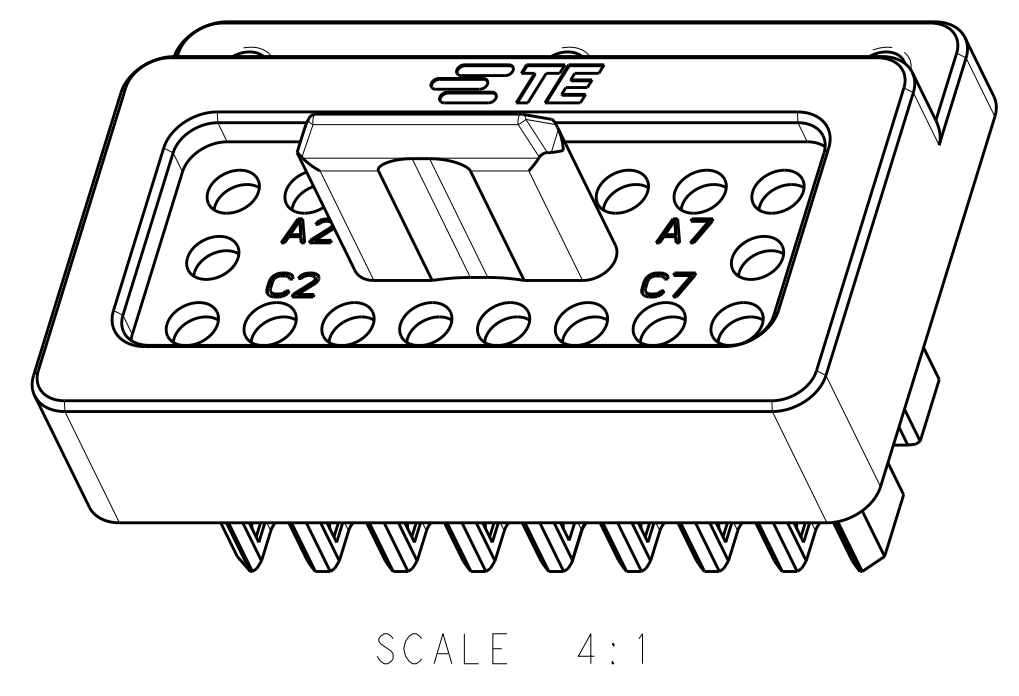
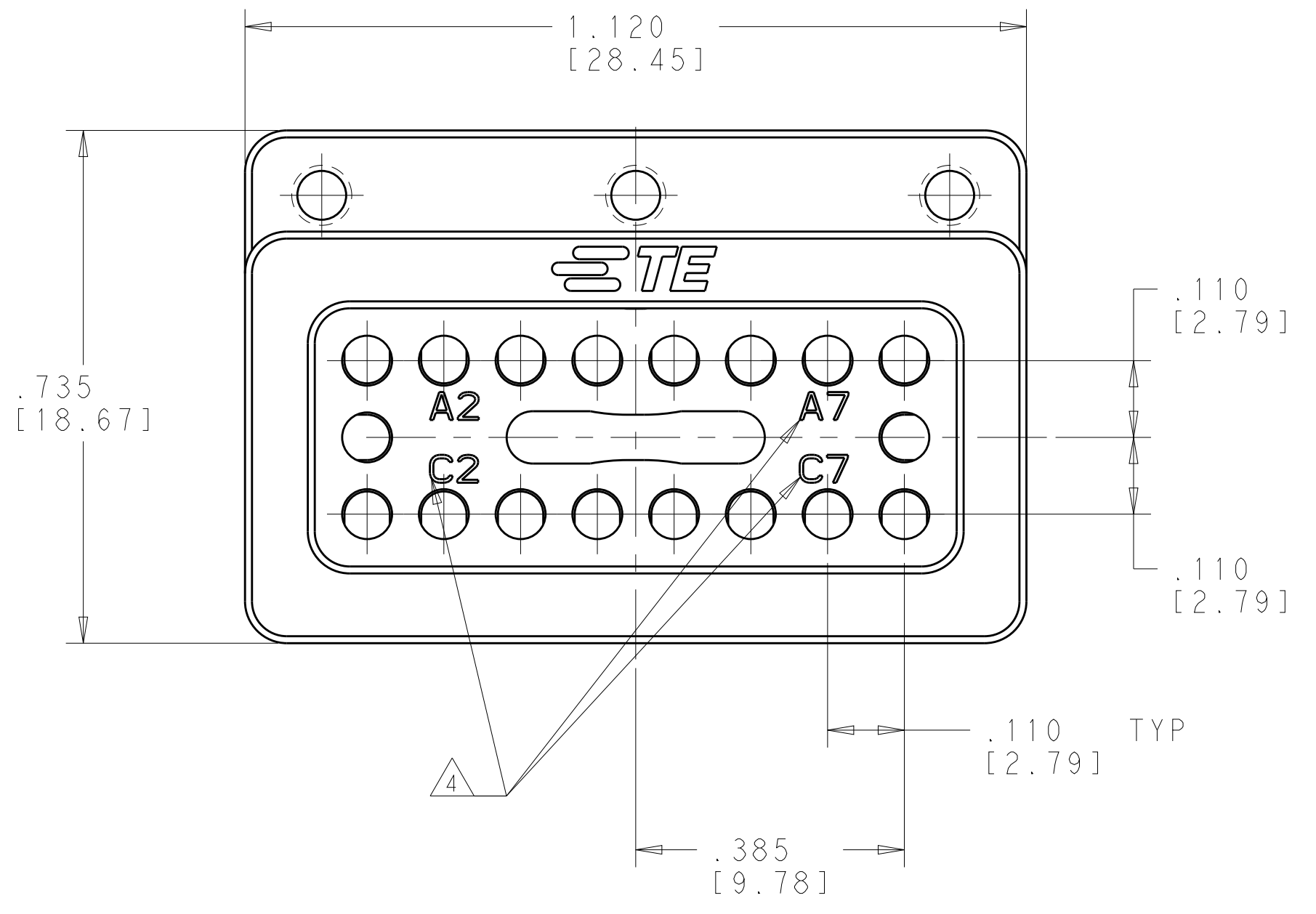


REVISIONS				
P.	LTN	DESCRIPTION	DATE	APVD
B		RELEASED PER ECO 19-005475	4-9-19	CT FB

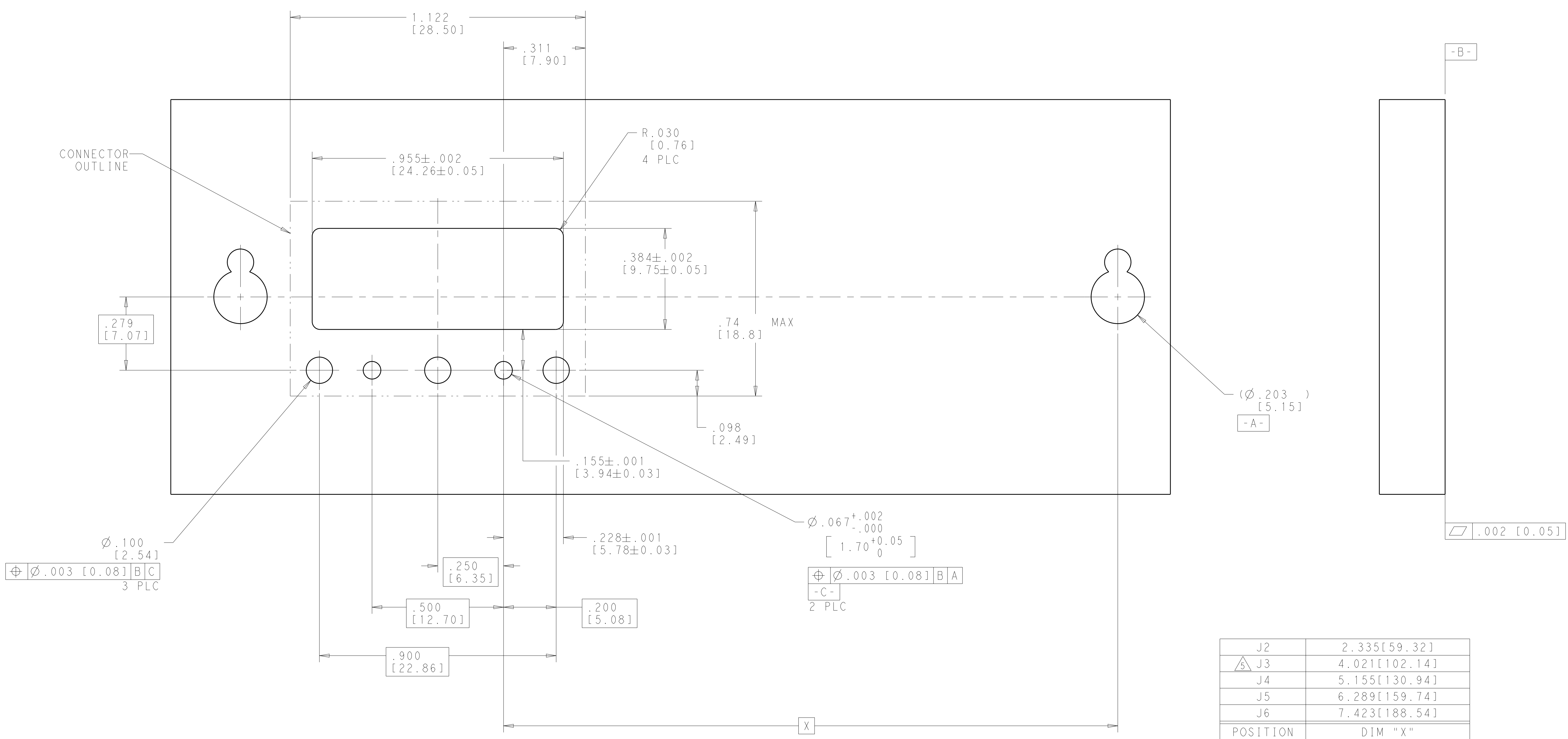


- 1 MATERIAL:
MODULE BODIES - SEE TABLE
SCREWS - 300 SERIES STAINLESS STEEL
- 2 FINISH:
MODULE BODIES - SEE TABLE
SCREWS AND GUIDE PIN - PASSIVATED
- 3. SHIPPED IN KIT FORM.
- 4 CIRCUIT IDENTIFICATION MARKING
- 5 J3 MODULE LOCATION CAN BE MOVED $-.129[3.28]$ TO POSITION J3 = $3.892[98.86]$ TO ALLOW FOR USE OF A FULL MULTIGIG CONNECTOR IN J4. THE DAUGHTERCARD MODULE POSITION MUST ALSO BE ADJUSTED ACCORDINGLY.

CLEAR CHROMATE CONVERSION COATING	ALUMINUM ALLOY 7075	2322337-2
PASSIVATED	STAINLESS STEEL PER UNS S30300	2322337-1
MODULE FINISH 2	MODULE MATERIAL 1	PART NUMBER

THIS DRAWING IS A CONTROLLED DOCUMENT.		OWN: R. MILLER 30JUN2017	TE Connectivity
DIMENSIONS: INCHES/mm		CHK: D. WILSON 30JUN2017	
TOLERANCES UNLESS OTHERWISE SPECIFIED:		APVD: K. DOWNHOWER 11APR2018	NAME: 18 POSITION NanoRF MODULE P.C.B. MOUNT - BACKPLANE VITA
0 PLC ±		PRODUCT SPEC: 108-163006	
1 PLC ±		APPLICATION SPEC: 408-163016	SIZE: CAGE CODE DRAWING NO: A100779 WEIGHT: - CUSTOMER DRAWING
2 PLC ±		RESTRICTED TO: -	
3 PLC ±.005[0.13]		SCALE: 5:1	SHEET 1 OF 2 REV B
4 PLC ±		ANGLE: -	
MATERIAL: NOTE 1		FINISH: NOTE 2	

REVISIONS				
P.	LTN	DESCRIPTION	DATE	APVD
-	SEE SHEET 1			



TYP PCB LAYOUT - VIEWED FROM BACKSIDE OF BACKPLANE

THIS DRAWING IS A CONTROLLED DOCUMENT.		DWN: R. MILLER 30JUN2017 CHK: D. WILSON 30JUN2017 APVD: K. DOWNHOWER 11APR2018	TE Connectivity
DIMENSIONS: INCHES/mm	TOLERANCES UNLESS OTHERWISE SPECIFIED: 0 PLC ± 1 PLC ± 2 PLC ± 3 PLC ±.005 [0.13] 4 PLC ± ANGLES ± FINISH	PRODUCT SPEC: 108-163006 APPLICATION SPEC: 408-163016 WEIGHT:	
MATERIAL: NOTE 1	NOTE 2	CUSTOMER DRAWING	RESTRICTED TO: A100779 SCALE: 5:1 SHEET 2 OF 2 REV B

X-ON Electronics

Largest Supplier of Electrical and Electronic Components

Click to view similar products for [RF Connector Accessories](#) category:

Click to view products by [TE Connectivity](#) manufacturer:

Other Similar products are found below :

[89674-0712](#) [F702RX24](#) [FERRULE-174](#) [R141802000](#) [R141805000](#) [R141842000](#) [R161862000](#) [R161862000W](#) [R280752000](#) [R280907000](#)
[R694261906](#) [RFI21-13](#) [RFI75-13-D2](#) [RFI75-4-D2](#) [AX102906](#) [AX102907](#) [18097-0013](#) [HP-375](#) [HP-500](#) [2098-0294-00](#) [2098-3251-94](#) [KA-](#)
[81-05](#) [89674-0805](#) [F1](#) [FERRULE-223](#) [202102-11](#) [213337-1](#) [220222-2](#) [24092671A](#) [24092678A](#) [R161841000](#) [R280468000](#) [R280510000](#)
[R282862060](#) [RFI155-1](#) [RFI25-12-D3](#) [RFI25-5](#) [RFI25-5-D3](#) [RFI75-12-D2](#) [RFI75-2-D2](#) [RFI75-4-D3](#) [RFI77-6](#) [360HS001M2508M6](#) [4-](#)
[1532137-4](#) [5-21085-0](#) [105274-1000](#) [111062-0490](#) [112122-SOD-LUG](#) [112-NUT-KNURL](#) [IPP-2014](#)