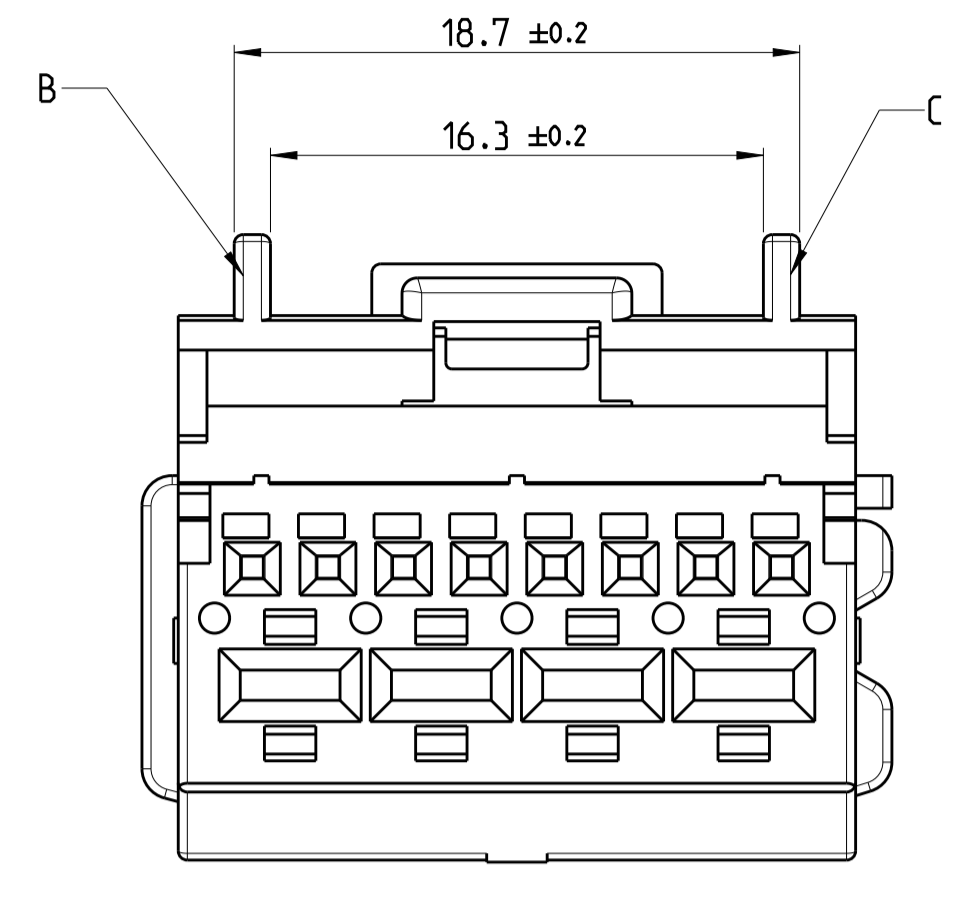
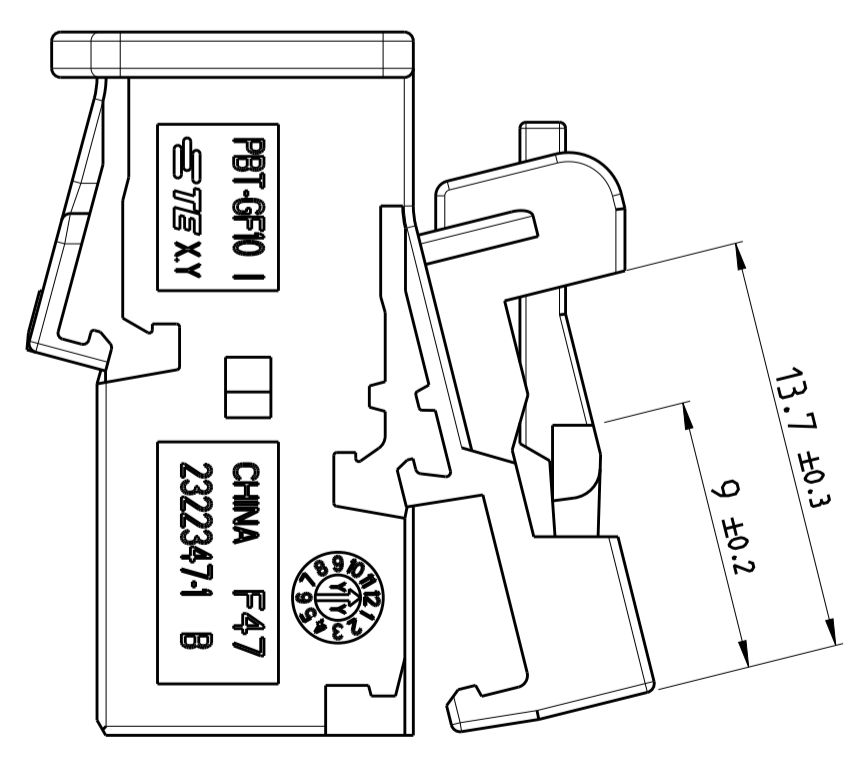
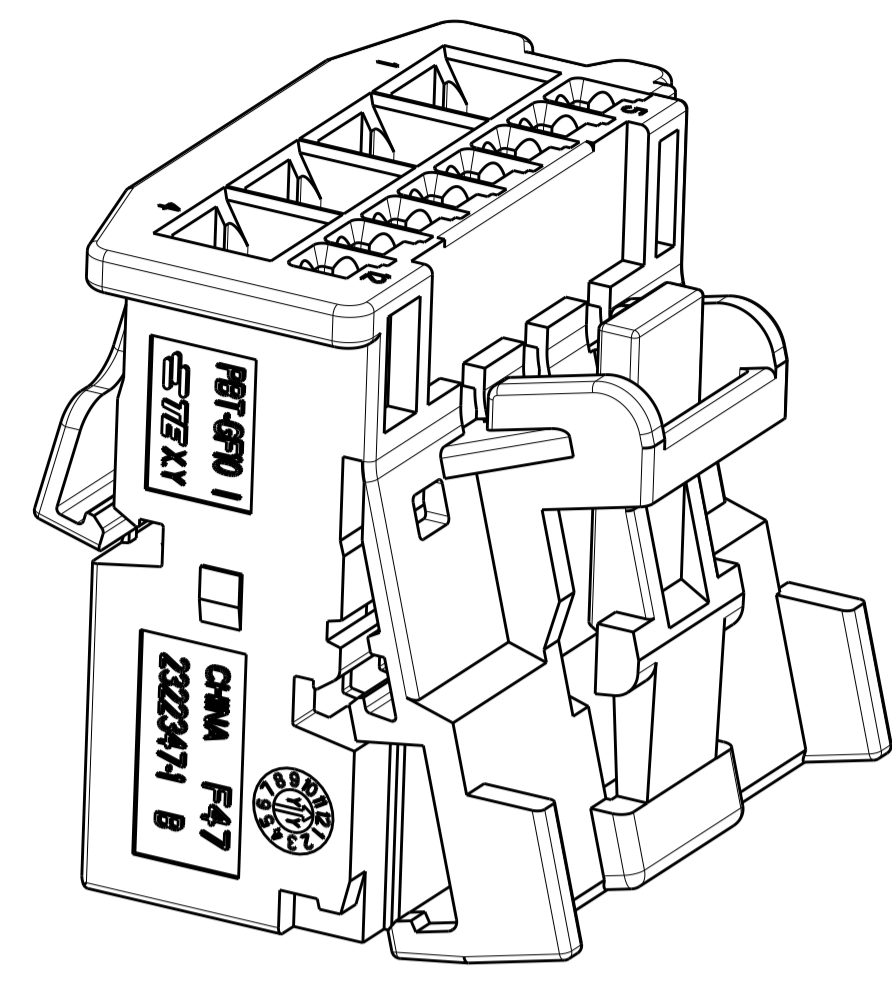
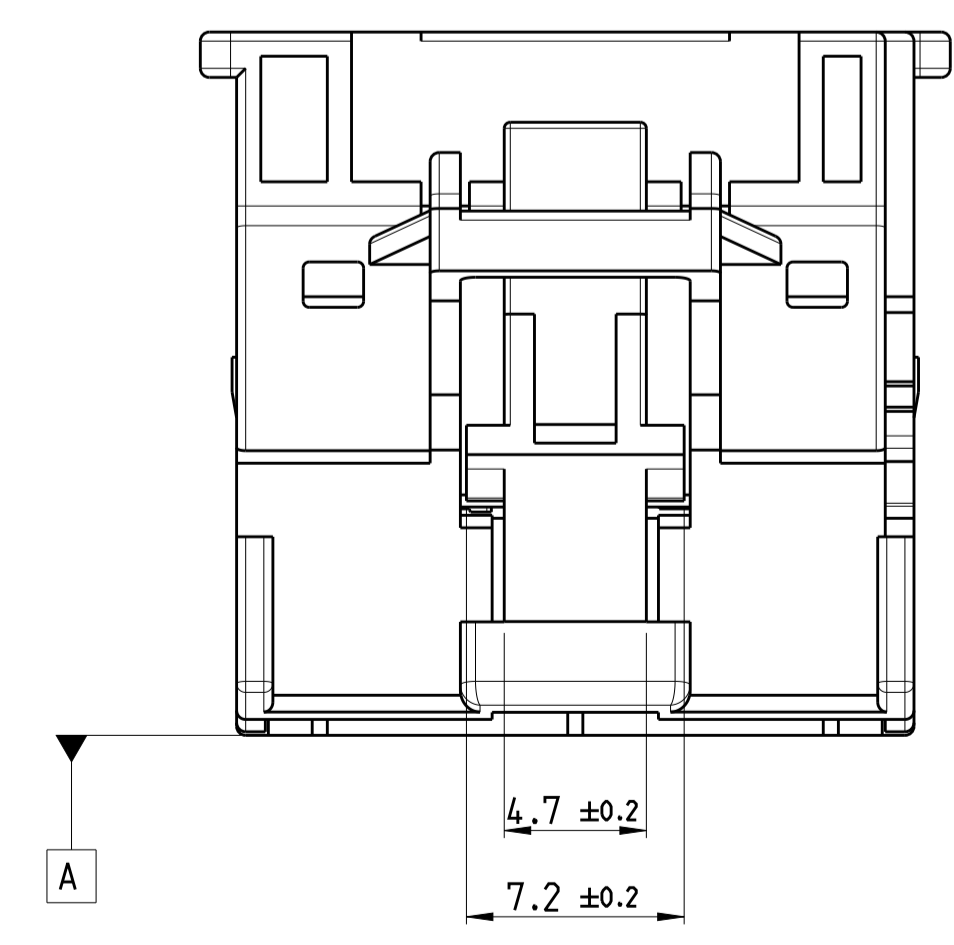
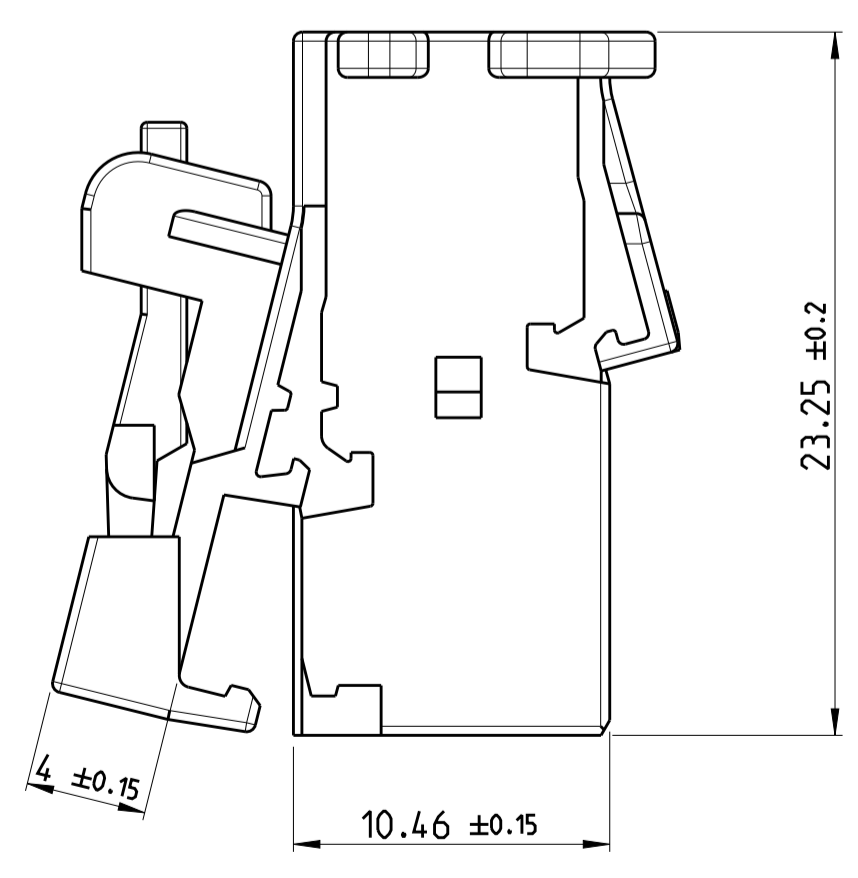
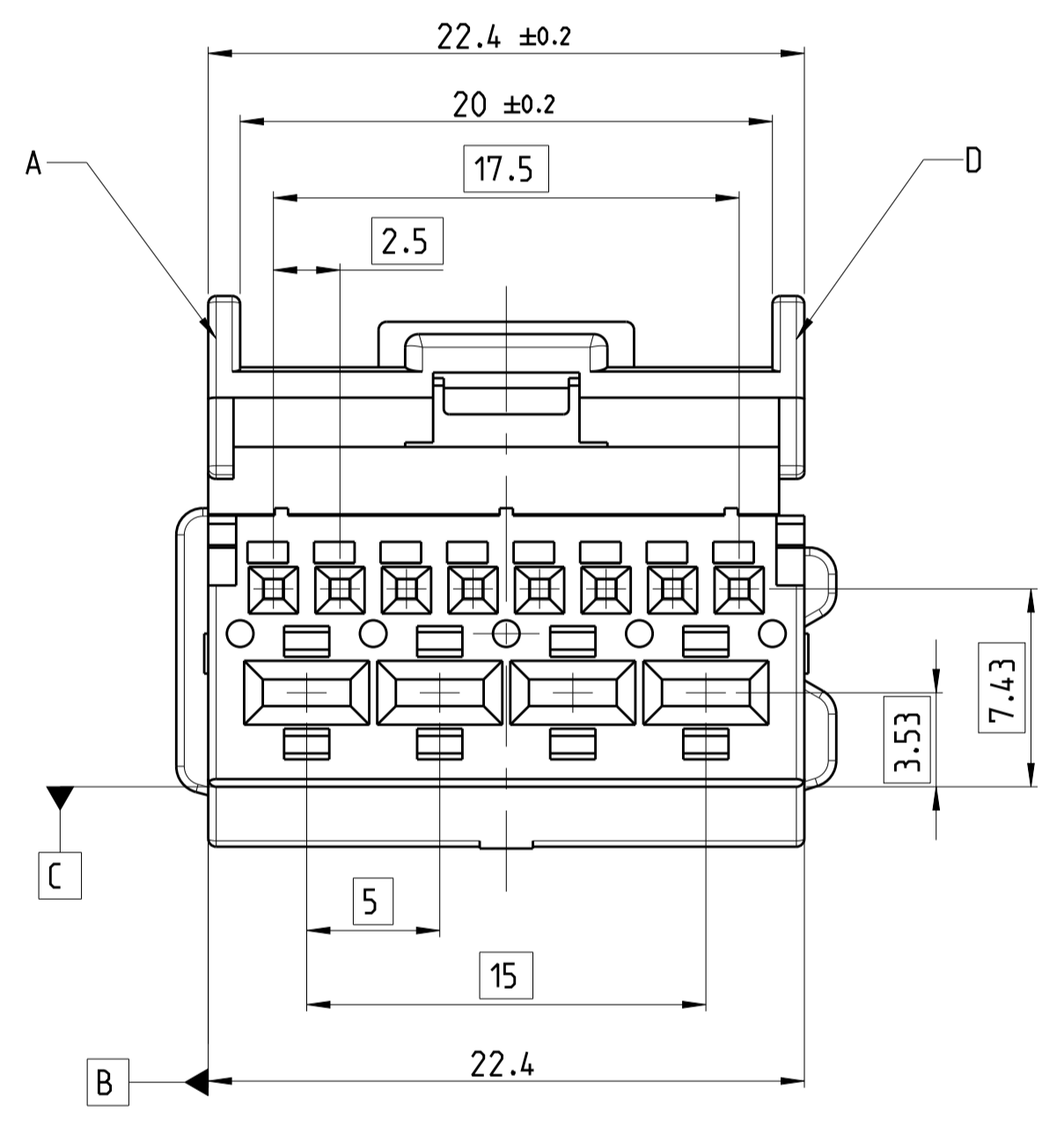


② CODING B,C  
 2322347-2 AS SHOWN

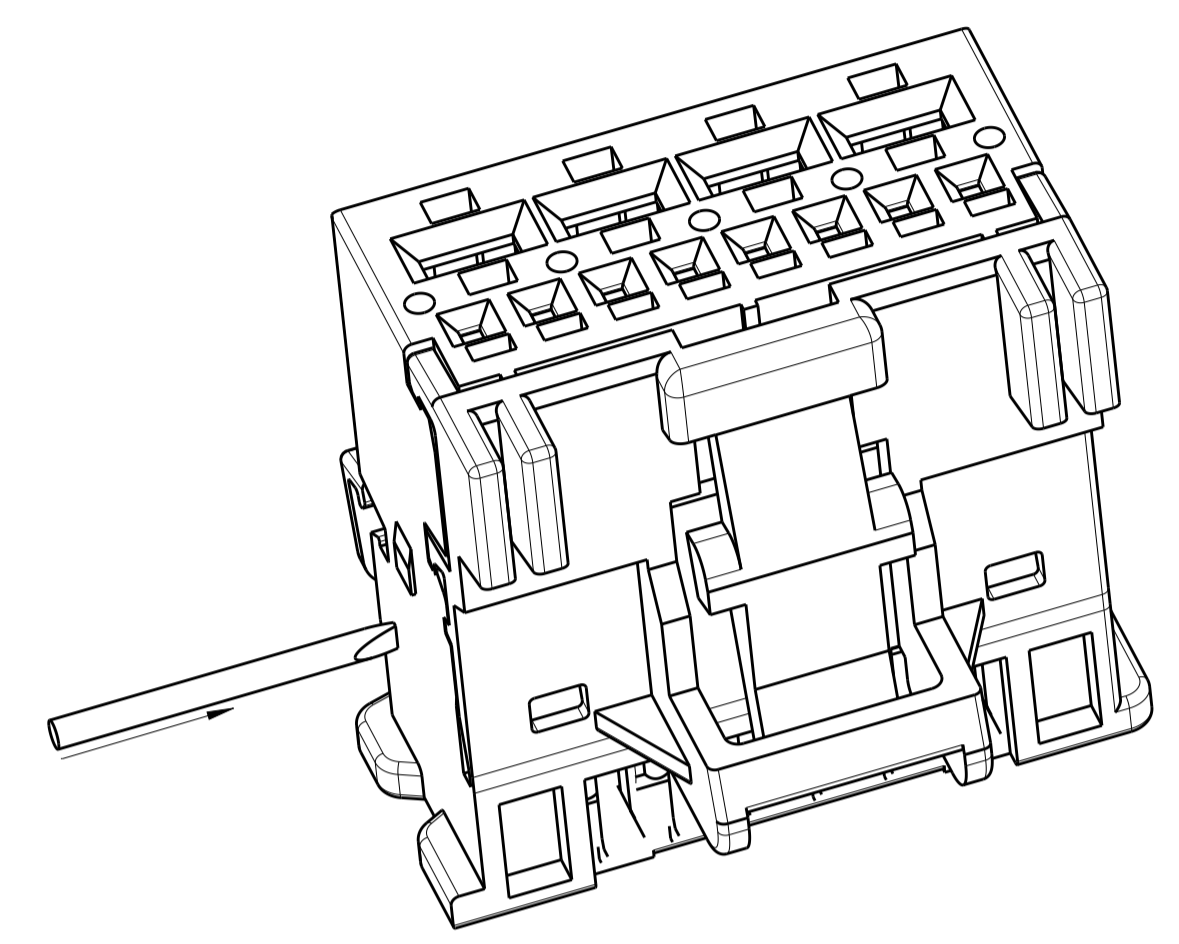


① CODING A,D  
 2322347-1 AS SHOWN



| REVISIONS |     |                      |           |          |
|-----------|-----|----------------------|-----------|----------|
| P         | LTR | DESCRIPTION          | DATE      | DWN APVD |
| A         |     | NEW PRODUCT RELEASED | 31AUG2017 | T.D I.Y  |
| B         |     | ECR-19-004905        | 13JUN2019 | J.L I.Y  |

RETAINER CLOSED PICTURE



⑥ OPEN GUIDE:  
 TO OPEN THE LOCKED RETAINER, USE A Ø 1X0.18MM SCREWDRIVER AND PUSH IT IN THE SHOWN OPENING.

NOTES

- 1 MATING PART EXECUTION TO INTERFACE 114-101068
- 2 SUITABLE CONTACT  
 MQS: 1355717, 928999, 963715  
 MCP2.8K: 1241386, 1241388, 1241390
- 3 SUITABLE MATING HOUSING 2311788/2321709
- 4 MATERIAL REMOVAL OPTIONAL IN EXECUTION AND POSITION ACC. TO MANUFACTURE POSSIBLE
- 5 PACKAGE: LOOSE PIECE IN CARTON BOX
- ⑥ ⑥ CONDITION ON DELIVERY:  
 SECONDARY LOCK DEVICE SHOULD BE IN PRELOCK POSITION  
 --IF IN ENDOCK POSITION AFTER TRANSPORTATION,  
 PLEASE REOPEN IT IN ACCORDANCE THE OPENING GUIDE

| TE-PART NO | REV. | COD. | MATERIAL | COLOUR | RAL  | VOLUME [cm <sup>3</sup> ] | WEIGHT [g] | POS. |
|------------|------|------|----------|--------|------|---------------------------|------------|------|
| 2322347-4  | B    | B.D  | PBT-GF10 | BLUE   | 5012 | 1.976                     | 2.71       | 4    |
| 2322347-3  | B    | A.C  | PBT-GF10 | GREEN  | 6018 | 1.976                     | 2.71       | 3    |
| 2322347-2  | B    | B.C  | PBT-GF10 | BROWN  | 1011 | 1.976                     | 2.71       | 2    |
| 2322347-1  | B    | A.D  | PBT-GF10 | BLACK  | 9011 | 1.976                     | 2.71       | 1    |

|  |  |   |      |
|--|--|---|------|
| THIS DRAWING IS A CONTROLLED DOCUMENT. |  | DWN T.DONG 16AUG2017                    |      |
| DIMENSIONS: mm                         |  | CHK E.JIANG 31AUG2017                   |      |
| TOLERANCES UNLESS OTHERWISE SPECIFIED  |  | APVD L.YIN 31AUG2017                    | NAME |
| 0 PLC ±                                |  | HYBRID MQS 8POS./MCP2.8K 4POS..         |      |
| 1 PLC ±                                |  | REC.. HSG.                              |      |
| 2 PLC ±                                |  | SIZE CAGE CODE DRAWING NO RESTRICTED TO |      |
| 3 PLC ±                                |  | A1 00779 C=2322347                      |      |
| 4 PLC ±                                |  | SCALE 4:1 SHEET 1 OF 1 REV B            |      |
| 5 PLC ±                                |  | CUSTOMER DRAWING                        |      |
| 6 BCC ±                                |  |   |      |
| FINISH                                 |  |   |      |
| MATERIAL SEE TABLE                     |  |   |      |
| FINISH SEE TABLE                       |  |   |      |

## X-ON Electronics

Largest Supplier of Electrical and Electronic Components

*Click to view similar products for [Headers & Wire Housings](#) category:*

*Click to view products by [TE Connectivity](#) manufacturer:*

Other Similar products are found below :

[57102-F02-18ULF](#) [58102-G61-06LF](#) [582553-1](#) [009176003701906](#) [01.001.5753.1](#) [0050291907](#) [02.125.8002.8](#) [609-3404](#) [61062-3](#)  
[CSU011177004](#) [622-0430](#) [622-3653LF](#) [63453-116](#) [636-1030](#) [636-1427](#) [636-3427](#) [636-4007](#) [641938-9](#) [65495-038](#) [65692-001LF](#) [65781-018](#)  
[65781-047](#) [65817-010LF](#) [65817-015LF](#) [66207-023LF](#) [67095-007LF](#) [67601157](#) [68631-112](#) [68645-018](#) [699319-000](#) [70.362.1628.0](#) [70-4210](#)  
[70-4226B](#) [70-4853B](#) [707-5020](#) [707-5028](#) [71.350.2428.0](#) [71961-016LF](#) [733-134](#) [733-162](#) [754199-000](#) [760-3052](#) [800-90-001-10-001000](#)  
[801-43-002-10-013000](#) [801-43-006-10-002000](#) [803-41-018-10-001000](#) [803-43-024-10-001000](#) [803-93-012-10-001000](#) [8-1437020-4](#)  
[819-22-004-30-001101](#)