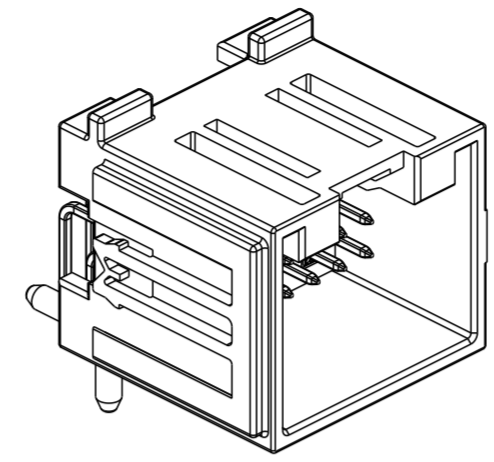
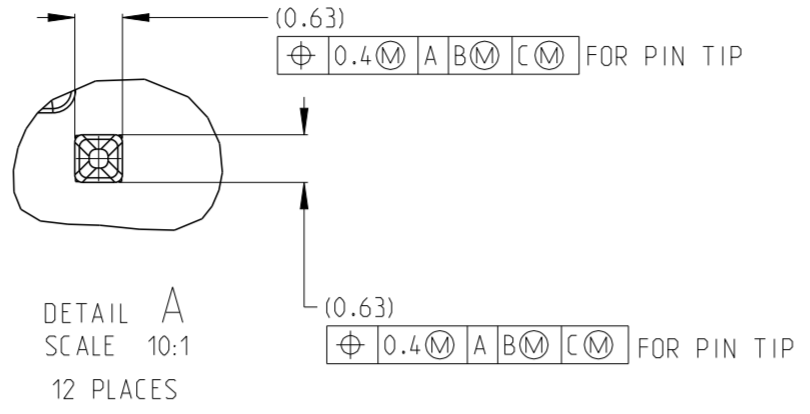
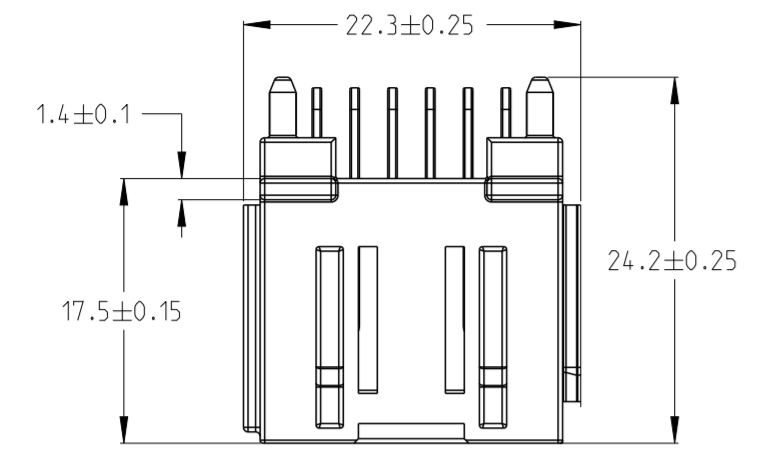


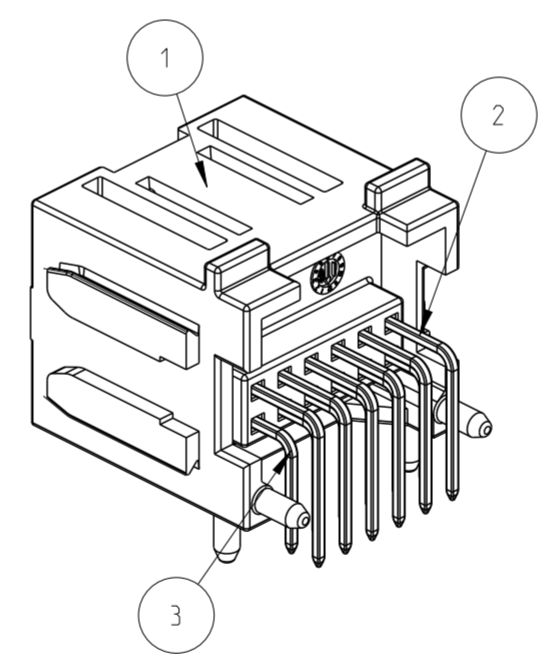
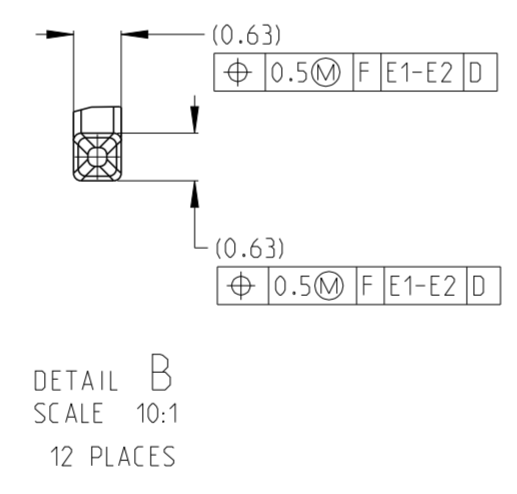
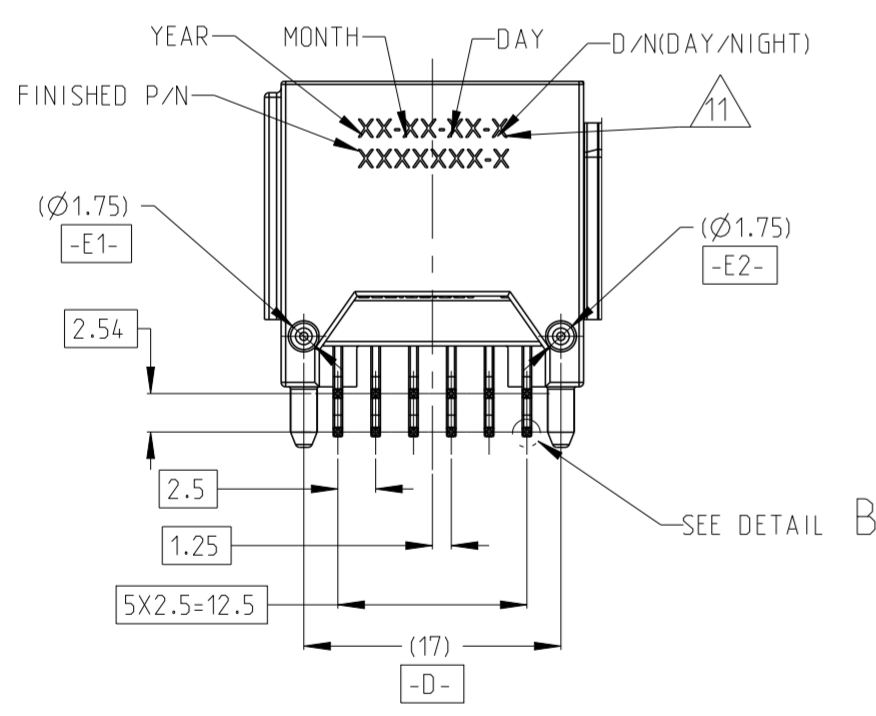
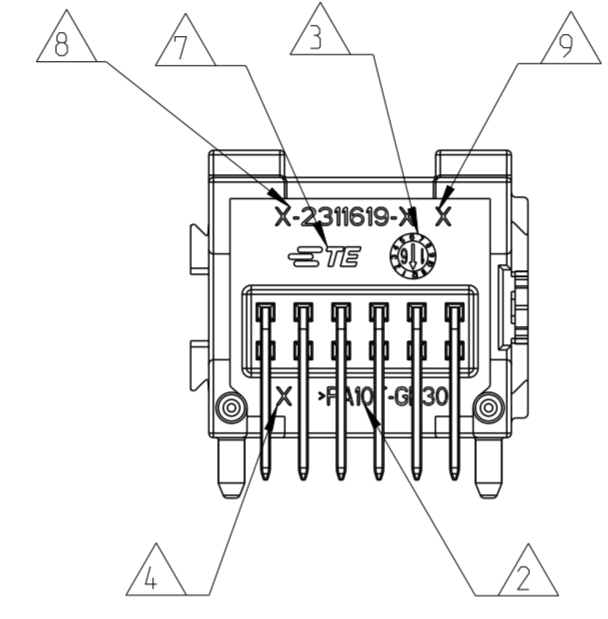
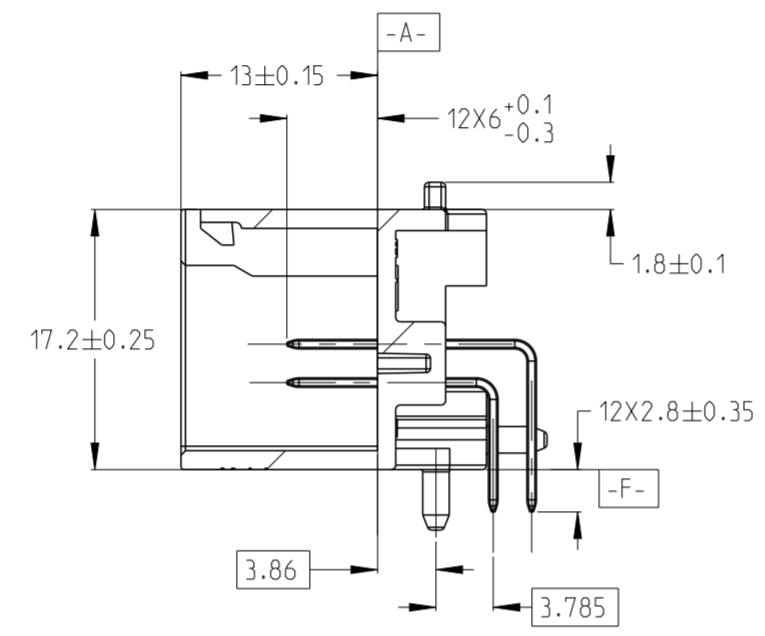
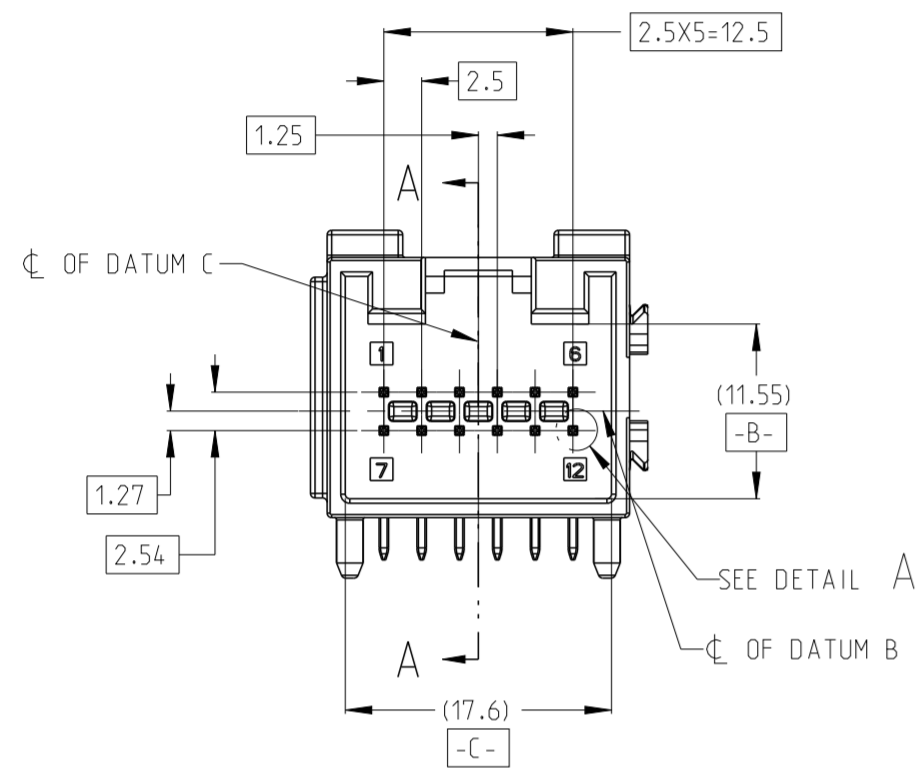
THIS DRAWING IS UNPUBLISHED. RELEASED FOR PUBLICATION 20
 © COPYRIGHT 20 BY - ALL RIGHTS RESERVED.

REVISIONS					
P	LTR	DESCRIPTION	DATE	DWN	APVD
	A	RELEASE	26JUL17	K.W	I.Y
	A1	ECR-20-011383	02SEP20	K.W	W.W
	A2	ECN-21-129967	02DEC21	T.T	J.Z

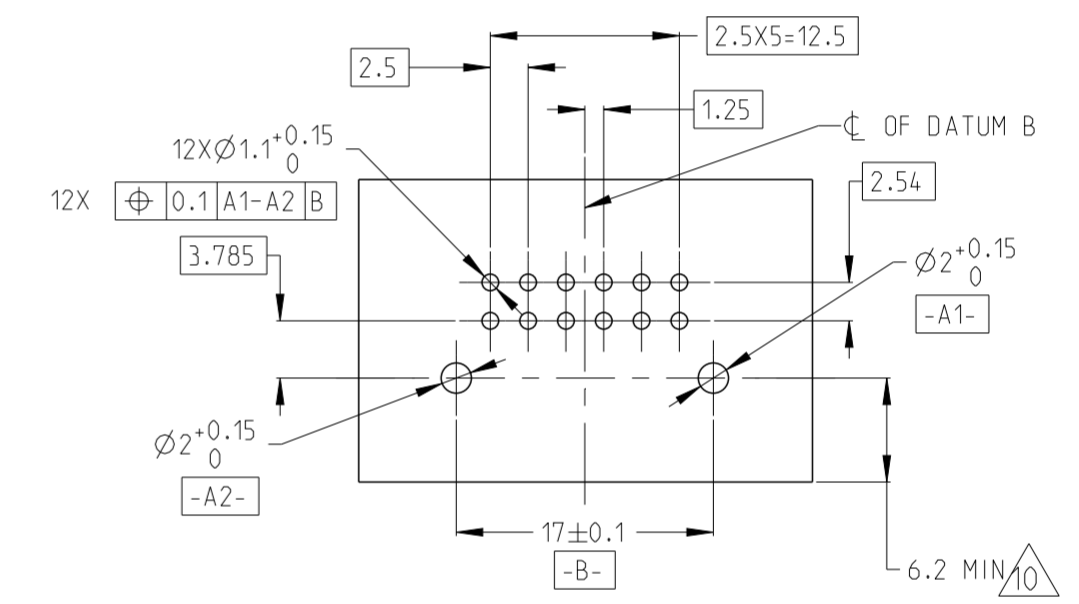


ISOMETRIC VIEW
SCALE 2:1

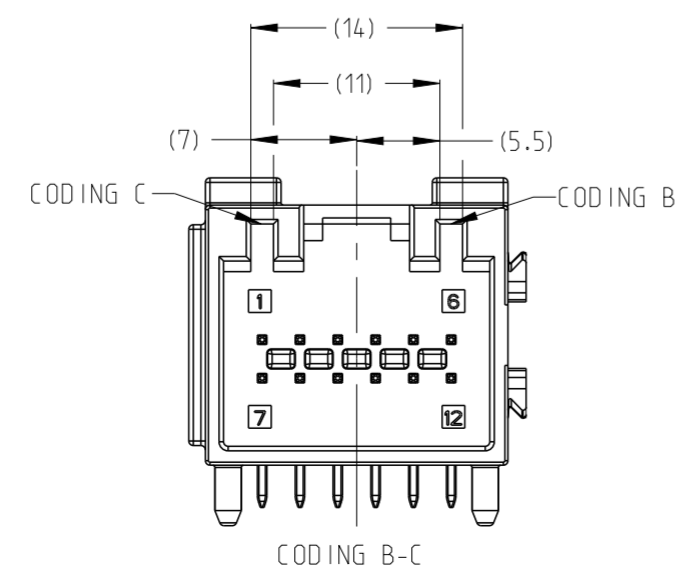
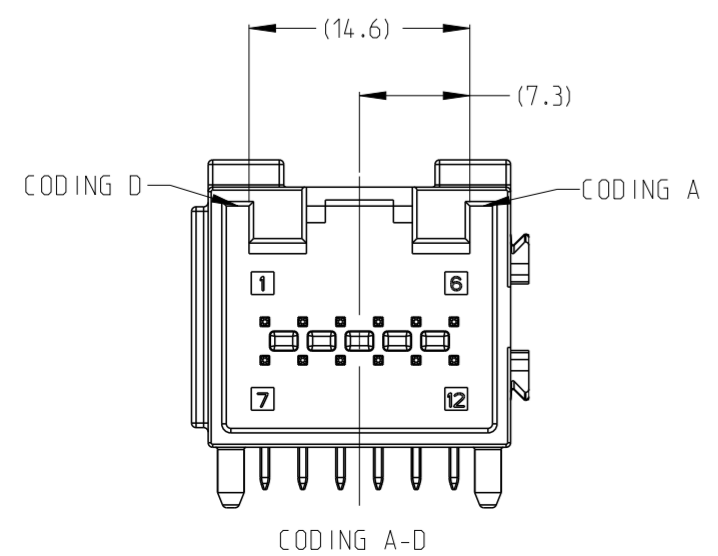
- 1 PLASTIC MATERIAL: PA10T OR SPS
SQ PIN MATERIAL: CuZn30
PLATING SPEC: TIN OVER NICKEL
- 2 MATERIAL MARKING
- 3 PLASTIC HOUSING PRODUCTION MONTH CLOCK
- 4 TOOL CAVITY MARKING 1,2,3,4...
- 5. PRODUCT OPERATION TEMPERATURE RANGE:-40°C~105°C
- 6. SUITABLE MATING CONNECTOR: 2322637
- 7 TE-LOGO
- 8 TE SEMIFINISHED PART NUMBER
- 9 TE SEMIFINISHED PART REVISION
- 10 PRODUCT STABILIZATION FOR SOLDERING PROCESS
- 11 PRODUCT ASSEMBLY DATA INFORMATION



SCALE 2:1
ISOMETRIC VIEW



12 WAY CODINGS



TE P/N	CODING	PACKAGE TYPE	QTY	DESCRIPTION	MATERIAL	COLOR/FINISH	ITEM NO
2-2322610-1	A-D	REEL(DIM:380*380*44mm)	6	0.63 SQ PIN	CuZn30	Sn OVER Ni	3
			6	0.63 SQ PIN	CuZn30	Sn OVER Ni	2
1-2322610-1	A-D	TRAY(DIM:320*210*28mm)	1	12 WAY HOUSING	PA10T OR SPS	BLACK	1
			6	0.63 SQ PIN	CuZn30	Sn OVER Ni	3
2322610-4	B-D	TRAY(DIM:375*275*30mm)	6	0.63 SQ PIN	CuZn30	Sn OVER Ni	2
			1	12 WAY HOUSING	PA10T OR SPS	BLACK	1
2322610-3	A-C	TRAY(DIM:375*275*30mm)	6	0.63 SQ PIN	CuZn30	Sn OVER Ni	3
			6	0.63 SQ PIN	CuZn30	Sn OVER Ni	2
2322610-2	B-C	TRAY(DIM:375*275*30mm)	1	12 WAY HOUSING	PA10T OR SPS	GREEN	1
			6	0.63 SQ PIN	CuZn30	Sn OVER Ni	3
2322610-1	A-D	TRAY(DIM:375*275*30mm)	6	0.63 SQ PIN	CuZn30	Sn OVER Ni	2
			1	12 WAY HOUSING	PA10T OR SPS	BLACK	1

THIS DRAWING IS A CONTROLLED DOCUMENT. DWN: K.WEI 12JUL2017
 CHK: E.JIANG 21JUL2017
 APVD: I.YIN 26JUL2017

TE Connectivity

12 WAY MDS PIN HEADER

108-101528
 114-101065

SIZE: A2 CAGE CODE: - DRAWING NO: C-2322610 RESTRICTED TO: -
 SCALE: 2:1 SHEET: 1 OF 1 REV: A2

X-ON Electronics

Largest Supplier of Electrical and Electronic Components

Click to view similar products for [Headers & Wire Housings](#) category:

Click to view products by [TE Connectivity](#) manufacturer:

Other Similar products are found below :

[0015917161](#) [0022155065](#) [57102-F02-18ULF](#) [58102-G61-06LF](#) [582553-1](#) [01.001.5753.1](#) [0050291907](#) [02.125.8002.8](#) [609-3404](#) [61062-3](#)
[CSU011177004](#) [622-0430](#) [622-3653LF](#) [63453-116](#) [636-1030](#) [636-1427](#) [636-3427](#) [636-4007](#) [641938-9](#) [65495-038](#) [65692-001LF](#) [65781-018](#)
[65781-047](#) [65817-010LF](#) [65817-015LF](#) [67095-007LF](#) [67601157](#) [68631-112](#) [68645-018](#) [699319-000](#) [70.362.1628.0](#) [70-4210](#) [70-4226B](#) [70-](#)
[4853B](#) [71.350.2428.0](#) [733-134](#) [733-162](#) [MHR-64-VUAL](#) [80.063.4001.1](#) [800-90-001-10-001000](#) [801-43-002-10-013000](#) [801-43-006-10-](#)
[002000](#) [803-43-024-10-001000](#) [803-93-012-10-001000](#) [8-1437020-4](#) [819-22-004-30-001101](#) [820-22-006-30-001101](#) [820-22-008-30-001101](#)
[821-22-002-10-001101](#) [821-22-003-10-002101](#)