

THIS DRAWING IS UNPUBLISHED.

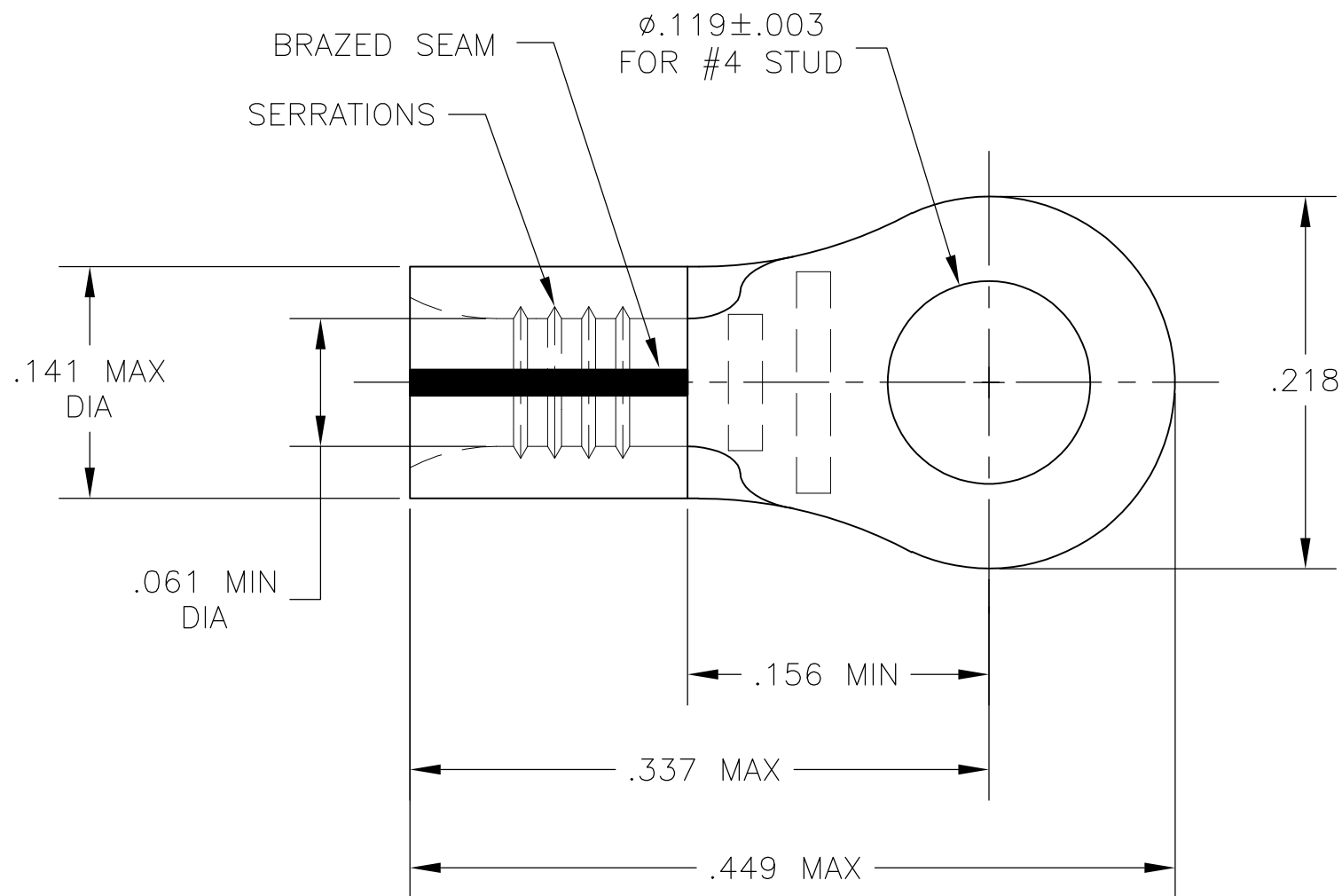
RELEASED FOR PUBLICATION

© COPYRIGHT - By -

ALL RIGHTS RESERVED.

| LOC | DIST | REVISIONS |     |                           |         |     |      |
|-----|------|-----------|-----|---------------------------|---------|-----|------|
|     |      | P         | LTR | DESCRIPTION               | DATE    | DWN | APVD |
| G   | 14   |           | E1  | REVISED PER ECO-13-012955 | 13AUG13 | KH  | DR   |

- 1 TONGUE MATERIAL THICKNESS .031±.002
- 2 MARKING 22-18 FOR MILITARY COMMERCIAL RANGE 22-16
- 3 NOTE DELETED
- △4 COPPER PER ASTM B-152
- △5 NICKEL PLATE PER QQ-N-290



|     |              |            |
|-----|--------------|------------|
| 500 | LOOSE PIECE  | 2-322796-1 |
| QTY | PACKAGE TYPE | PART NO    |

|  |        |                  |   |           |                            |               |       |     |       |        |       |     |        |      |              |      |
|--|--------|------------------|---|-----------|----------------------------|---------------|-------|-----|-------|--------|-------|-----|--------|------|--------------|------|
| THIS DRAWING IS A CONTROLLED DOCUMENT.   |        | DWN              | jr_ruth   | 16APR04   | <b>STE</b> TE Connectivity |               |       |     |       |        |       |     |        |      |              |      |
| DIMENSIONS: INCHES   |        | CHK              | MJ SPICER   | 16APR04   |                            |               |       |     |       |        |       |     |        |      |              |      |
| TOLERANCES UNLESS OTHERWISE SPECIFIED:   |        | APVD             | MJ SPICER   | 16APR04   |                            |               |       |     |       |        |       |     |        |      |              |      |
| <table border="0"> <tr><td>0 PLC</td><td>± -</td></tr> <tr><td>1 PLC</td><td>± -</td></tr> <tr><td>2 PLC</td><td>± -</td></tr> <tr><td>3 PLC</td><td>± .008</td></tr> <tr><td>4 PLC</td><td>± -</td></tr> <tr><td>ANGLES</td><td>± 5°</td></tr> </table> |        | 0 PLC            | ± -   | 1 PLC     |                            | ± -           | 2 PLC | ± - | 3 PLC | ± .008 | 4 PLC | ± - | ANGLES | ± 5° | PRODUCT SPEC | NAME |
| 0 PLC  | ± -    |                  |   |           |                            |               |       |     |       |        |       |     |        |      |              |      |
| 1 PLC  | ± -    |                  |   |           |                            |               |       |     |       |        |       |     |        |      |              |      |
| 2 PLC  | ± -    |                  |   |           |                            |               |       |     |       |        |       |     |        |      |              |      |
| 3 PLC  | ± .008 |                  |   |           |                            |               |       |     |       |        |       |     |        |      |              |      |
| 4 PLC  | ± -    |                  |   |           |                            |               |       |     |       |        |       |     |        |      |              |      |
| ANGLES   | ± 5°   |                  |   |           |                            |               |       |     |       |        |       |     |        |      |              |      |
| MATERIAL   |        | APPLICATION SPEC | WIRE TERMINAL, RING TONGUE, SOLISTRAND - STRATO-THERM, WIRE SIZE: 22-16 |           |                            |               |       |     |       |        |       |     |        |      |              |      |
| FINISH   |        | WEIGHT           | SIZE  | CAGE CODE | DRAWING NO                 | RESTRICTED TO |       |     |       |        |       |     |        |      |              |      |
| △4   |        | -                |   | A300779   | C-322796                   | -             |       |     |       |        |       |     |        |      |              |      |
| △5   |        | CUSTOMER DRAWING |   | SCALE     | SHEET                      | REV           |       |     |       |        |       |     |        |      |              |      |
|  |        |                  |   | 10:1      | 1 OF 1                     | E1            |       |     |       |        |       |     |        |      |              |      |

## X-ON Electronics

Largest Supplier of Electrical and Electronic Components

*Click to view similar products for [Terminals](#) category:*

*Click to view products by [TE Connectivity](#) manufacturer:*

Other Similar products are found below :

[00-054007-01074-6](#) [00-054007-70206-1](#) [00-054007-70210-8](#) [00-054007-70217-7](#) [00-054007-70226-9](#) [00-054007-70228-3](#) [00-054007-70248-1](#) [00-054007-70256-6](#) [00-054007-70301-3](#) [00-054007-70316-7](#) [00-054007-49560-4](#) [00-054007-70209-2](#) [00-054007-70225-2](#) [00-054007-70227-6](#) [00-054007-70231-3](#) [00-054007-70241-2](#) [00-054007-70242-9](#) [00-054007-70244-3](#) [00-054007-70246-7](#) [00-054007-70263-4](#) [00-054007-70288-7](#) [00-054007-70290-0](#) [00-054007-70300-6](#) [00-054007-70304-4](#) [01-2065-1-0216](#) [01-2900-1-04412](#) [00581P0075](#) [600TS-10](#) [60205-1](#) [604200-1](#) [605601-1](#) [60598-1-CUT-TAPE](#) [61314-6-C](#) [61810-3](#) [61-S](#) [61-SN](#) [626-0194](#) [62-NBM-A](#) [62-SN](#) [62-SP](#) [63-S](#) [640179-1](#) [M55155/059I03](#) [M55155/079C01](#) [M55155/099H02](#) [M55155/109H01](#) [M55155/109H02](#) [M55155/12XH05](#) [M55155/16XH02](#) [M55155/29-5S](#)