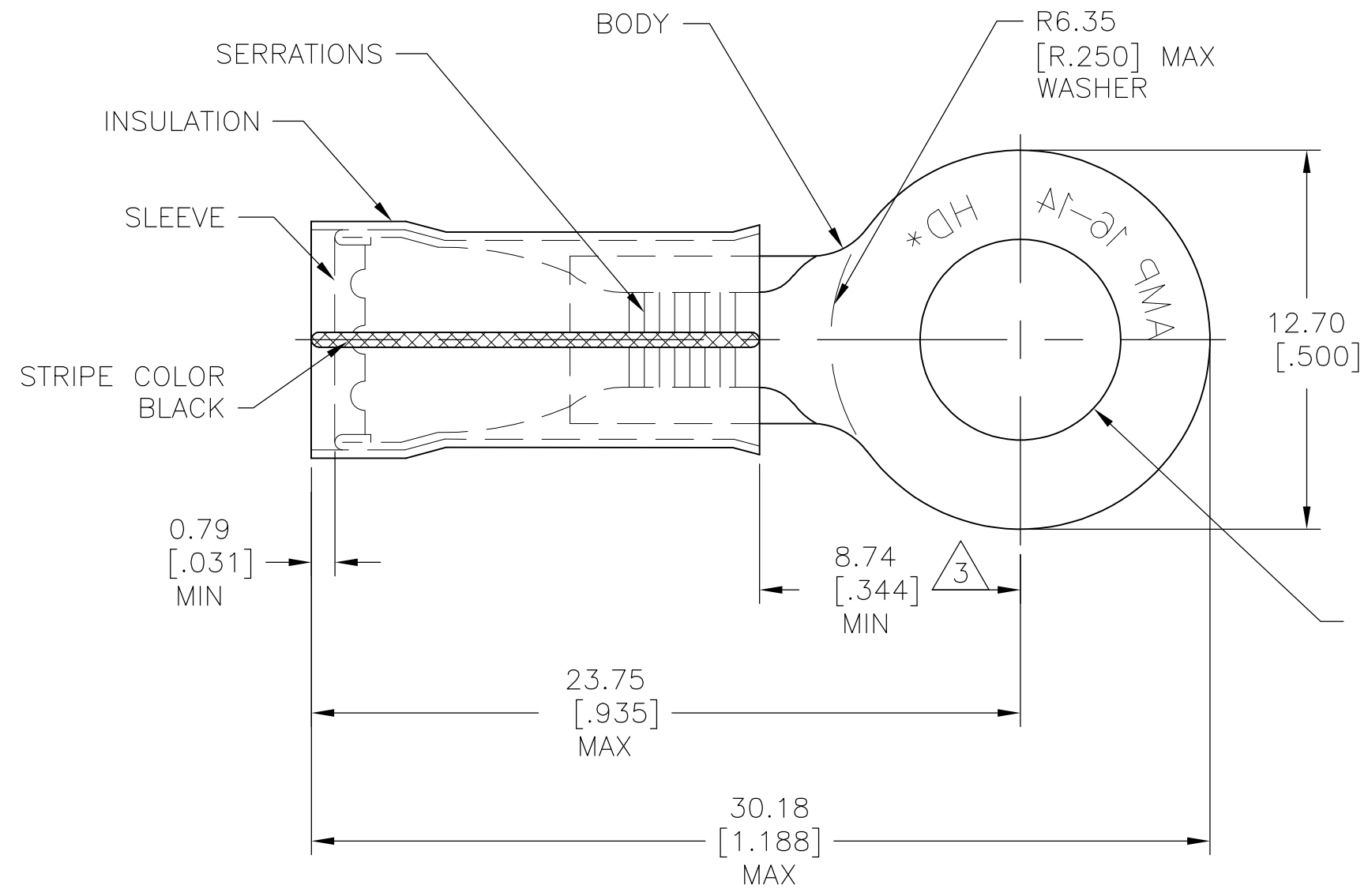


THIS DRAWING IS UNPUBLISHED. RELEASED FOR PUBLICATION
 © COPYRIGHT - By - ALL RIGHTS RESERVED.

LOC	DIST	REVISIONS					
		P	LTR	DESCRIPTION	DATE	DWN	APVD
G	14		F	REVISED PER ECO-14-015277	25FEB2015	NK	DR



- 1 FOR 3.81[.150] TO 6.35[.250] WIRE INSULATION DIA.
- 2 TONGUE MATERIAL THK: 1.22±0.05[.048±.002].
- 3 APPLIES FROM THE METAL EDGE OF THE BARREL TO THE CENTER OF THE STUD.

QTY	DESCRIPTION	MATERIAL & FINISH	PART NO
1	323682 ON TAPE	BODY: COPPER (ASTM-B152) TIN PL (ASTM-B545)	2-323682-1
1	WIRE TERMINAL	SLEEVE: COPPER (ASTM-B152) INSULATION: YELLOW NYLON	323682

THIS DRAWING IS A CONTROLLED DOCUMENT.		DWN RAGHAVENDRA 27AUG09	STE TE Connectivity	
DIMENSIONS: mm [INCHES]		CHK JEFF RUTH 27AUG09		
TOLERANCES UNLESS OTHERWISE SPECIFIED:		APVD TOM MICHIELUTTI 27AUG09	NAME	
0 PLC ± -		PRODUCT SPEC	TERMINAL, NYLON-PIDG - RING TONGUE WIRE SIZE: 16-14 HD	
1 PLC ± -		APPLICATION SPEC	SIZE	CAGE CODE
2 PLC ± -		WEIGHT	DRAWING NO	
3 PLC ± 0.20 [0.008]		CUSTOMER DRAWING	A3 00779 C-323682	
4 PLC ± -			SCALE	SHEET
ANGLES ± 5°		SEE TABLE	5:1	1 OF 1
MATERIAL SEE TABLE		FINISH SEE TABLE	RESTRICTED TO	
			F	

X-ON Electronics

Largest Supplier of Electrical and Electronic Components

Click to view similar products for [Terminals](#) category:

Click to view products by [TE Connectivity](#) manufacturer:

Other Similar products are found below :

[00-054007-01074-6](#) [00-054007-70206-1](#) [00-054007-70210-8](#) [00-054007-70217-7](#) [00-054007-70226-9](#) [00-054007-70228-3](#) [00-054007-70248-1](#) [00-054007-70256-6](#) [00-054007-70301-3](#) [00-054007-70316-7](#) [0-0320562-0](#) [00-054007-49560-4](#) [00-054007-70209-2](#) [00-054007-70225-2](#) [00-054007-70227-6](#) [00-054007-70231-3](#) [00-054007-70241-2](#) [00-054007-70242-9](#) [00-054007-70244-3](#) [00-054007-70246-7](#) [00-054007-70263-4](#) [00-054007-70288-7](#) [00-054007-70290-0](#) [00-054007-70300-6](#) [00-054007-70304-4](#) [01-2065-1-0216](#) [01-2900-1-04412](#) [00581P0075](#) [600TS-10](#) [60205-1](#) [604200-1](#) [605601-1](#) [60598-1-CUT-TAPE](#) [61314-6-C](#) [61810-3](#) [61-S](#) [61-SN](#) [626-0194](#) [62-NBM-A](#) [62-SN](#) [62-SP](#) [63-S](#) [640179-1](#) [M55155/059I03](#) [M55155/079C01](#) [M55155/099H02](#) [M55155/109H01](#) [M55155/109H02](#) [M55155/12XH05](#) [M55155/16XH02](#)