

THIS DRAWING IS UNPUBLISHED. RELEASED FOR PUBLICATION
 © COPYRIGHT - By - ALL RIGHTS RESERVED.

| LOC | DIST | REVISIONS | | | | | |
|-----|------|-----------|-----|---------------------------|-----------|-----|------|
| G | 14 | P | LTR | DESCRIPTION | DATE | DWN | APVD |
| | | P | | REVISED PER ECO-14-015277 | 10FEB2015 | NK | DR |

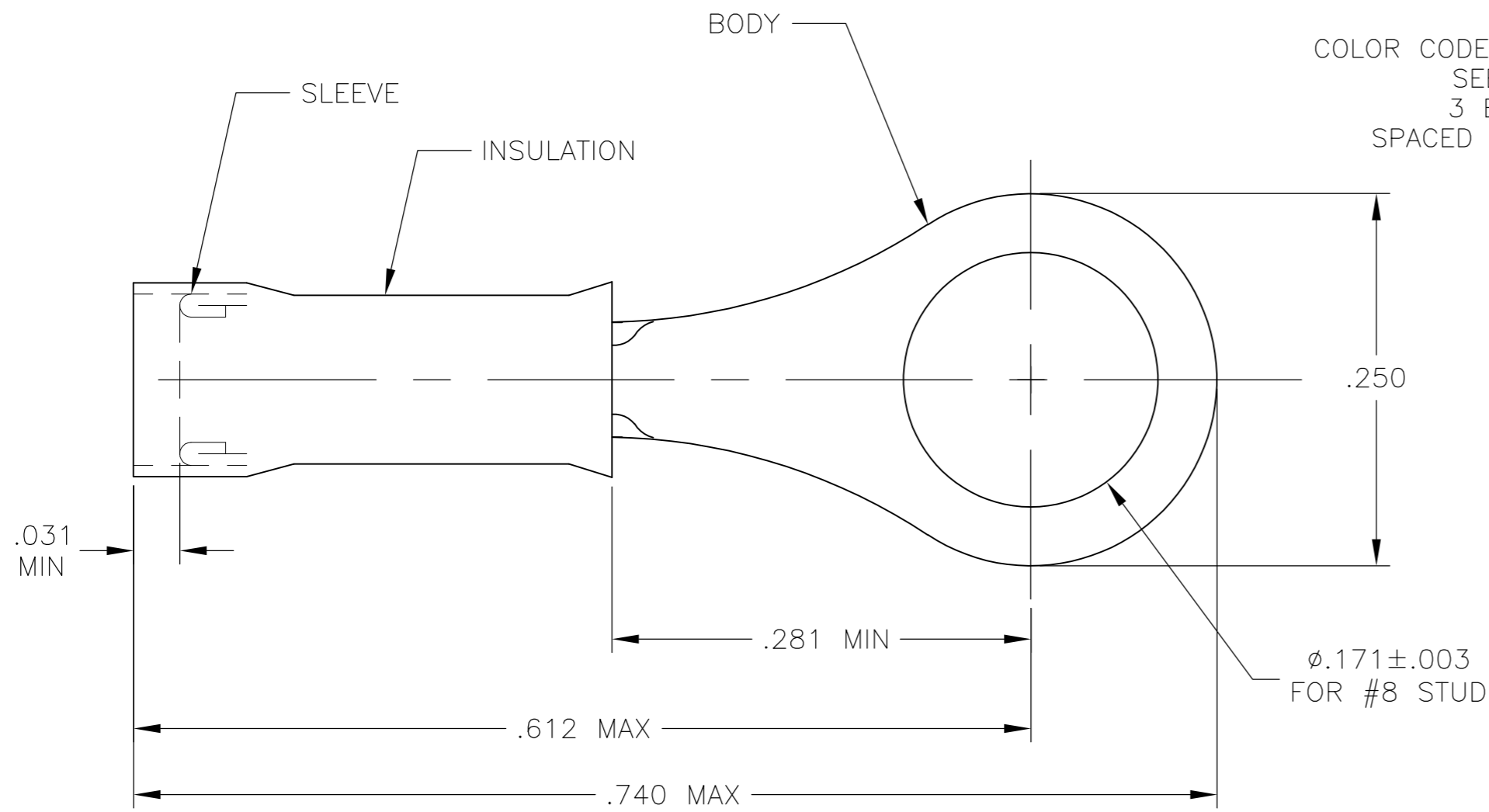


FIGURE 1

FOR .050 TO .082 WIRE INSULATION DIA

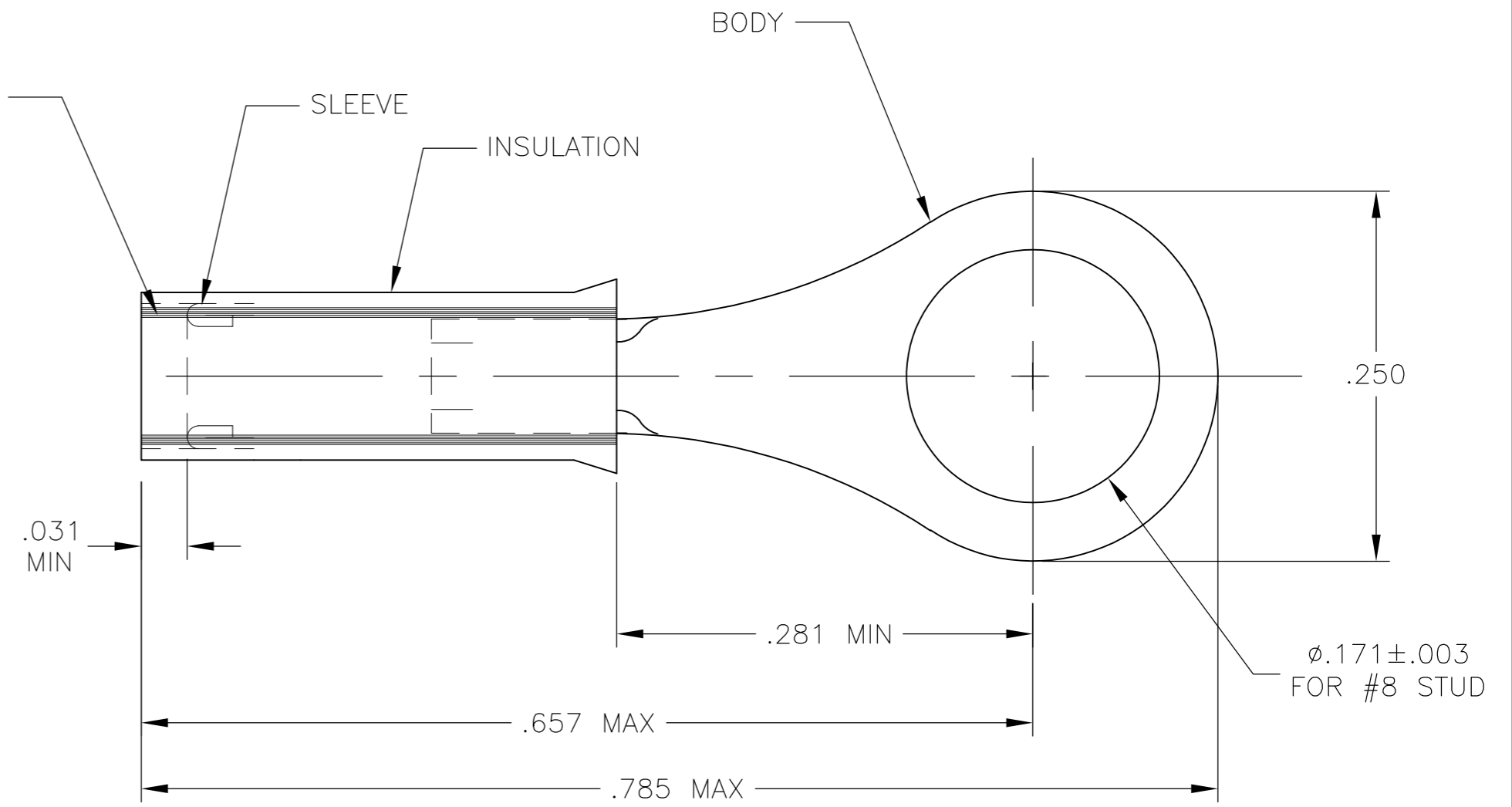


FIGURE 2
INSULATION RESTRICTING

FOR X/Y WIRE INSULATION DIA

1 TONGUE MATERIAL THK IS .018±.002.

2 MEETS MS25036-146, CLASS 2.

| | | | |
|------|--------------------------------------|--|--------------|
| 1 | WIRE TERMINAL INSULATION RESTRICTING | BODY: COPPER (ASTM-B152) TIN PL (ASTM-B545) SLEEVE: COPPER (ASTM-B152) NICKEL PL. (QQ-N-290) INSULATION: NYLON COLOR: YELLOW (ASTM-D4066) TYPE 1 | 2-323916-3 |
| 100 | LOOSE PC, BOX | | 8-323916-1 |
| 4000 | 323916 ON TAPE | BODY & SLEEVE: COPPER (ASTM-B152) TIN PL (ASTM-B545) INSULATION: NYLON COLOR: YELLOW (ASTM-D4066) TYPE 1 | 2 2-323916-1 |
| 1 | WIRE TERMINAL | | 2 323916 |
| QTY | DESCRIPTION | MATERIAL & FINISH | PART NO |

| | | | | | |
|------------|------------|-----------|--------------|-----------|------------------|
| 8-323916-1 | FIGURE 1 | #26-#22 | NONE | - | - |
| 2-323916-3 | FIGURE 2 | #24 | BLUE | .031/.055 | - |
| 323916 | 2 FIGURE 1 | #26-#22 | NONE | - | 2-323916-1/2 |
| PART NO. | STYLE | WIRE SIZE | STRIPE COLOR | "X/Y" | PART NO. ON TAPE |

THIS DRAWING IS A CONTROLLED DOCUMENT.

| | | |
|------------------|-----------------|---------|
| DWN | JR RUTH | 02OCT09 |
| CHK | TOM MICHIELUTTI | 02OCT09 |
| APVD | MIKE PERCHERKE | 02OCT09 |
| PRODUCT SPEC | | |
| APPLICATION SPEC | | |
| WEIGHT | - | |
| CUSTOMER DRAWING | | |

STE TE Connectivity

NAME: TERMINAL, NYLON - PIDG - RING TONGUE
WIRE SIZE: 26-22

SIZE: A2 CAGE CODE: 00779 DRAWING NO: 323916 RESTRICTED TO: -

SCALE: 10:1 SHEET: 1 of 1 REV: P

X-ON Electronics

Largest Supplier of Electrical and Electronic Components

Click to view similar products for [Terminals](#) category:

Click to view products by [TE Connectivity](#) manufacturer:

Other Similar products are found below :

[00-054007-01074-6](#) [00-054007-70206-1](#) [00-054007-70210-8](#) [00-054007-70217-7](#) [00-054007-70226-9](#) [00-054007-70228-3](#) [00-054007-70248-1](#) [00-054007-70256-6](#) [00-054007-70301-3](#) [00-054007-70316-7](#) [0-0320562-0](#) [00-054007-49560-4](#) [00-054007-70209-2](#) [00-054007-70225-2](#) [00-054007-70227-6](#) [00-054007-70231-3](#) [00-054007-70241-2](#) [00-054007-70242-9](#) [00-054007-70244-3](#) [00-054007-70246-7](#) [00-054007-70263-4](#) [00-054007-70288-7](#) [00-054007-70290-0](#) [00-054007-70300-6](#) [00-054007-70304-4](#) [01-2065-1-0216](#) [01-2900-1-04412](#) [00581P0075](#) [600TS-10](#) [60205-1](#) [604200-1](#) [605601-1](#) [60598-1-CUT-TAPE](#) [61314-6-C](#) [61810-3](#) [61-S](#) [61-SN](#) [626-0194](#) [62-NBM-A](#) [62-SN](#) [62-SP](#) [63-S](#) [640179-1](#) [M55155/059I03](#) [M55155/079C01](#) [M55155/099H02](#) [M55155/109H01](#) [M55155/109H02](#) [M55155/12XH05](#) [M55155/16XH02](#)