

4

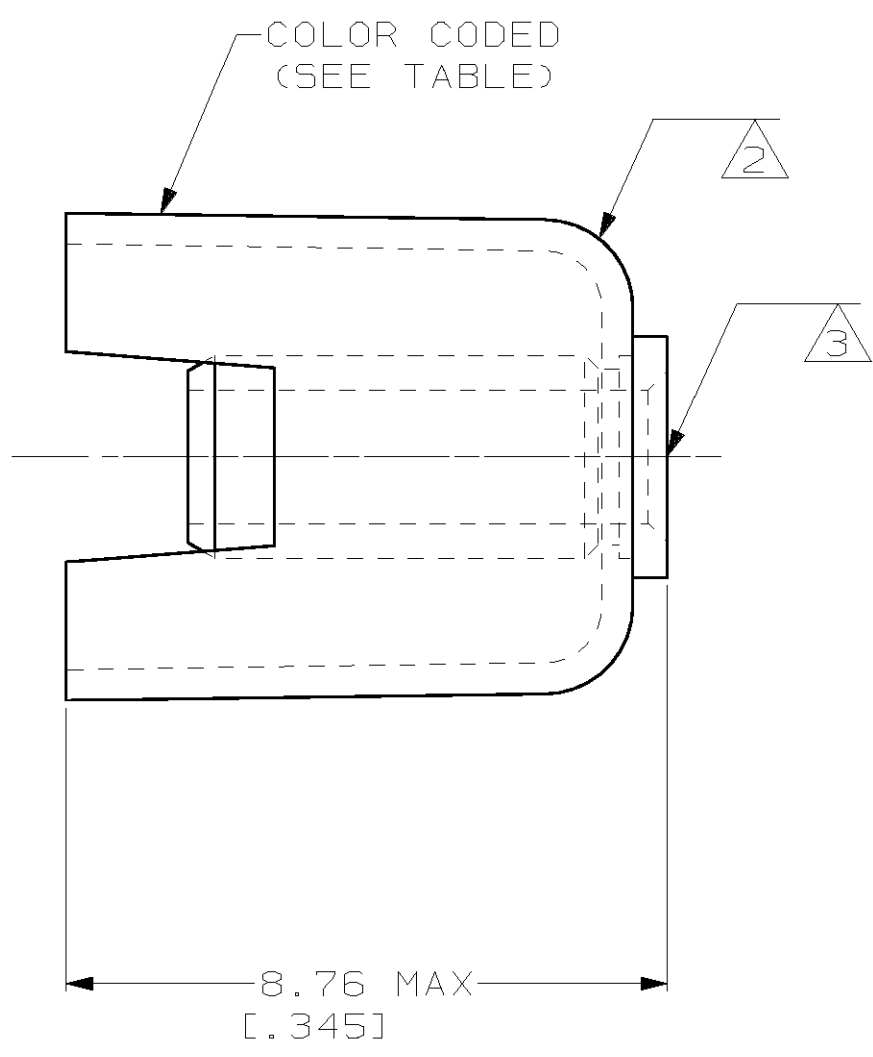
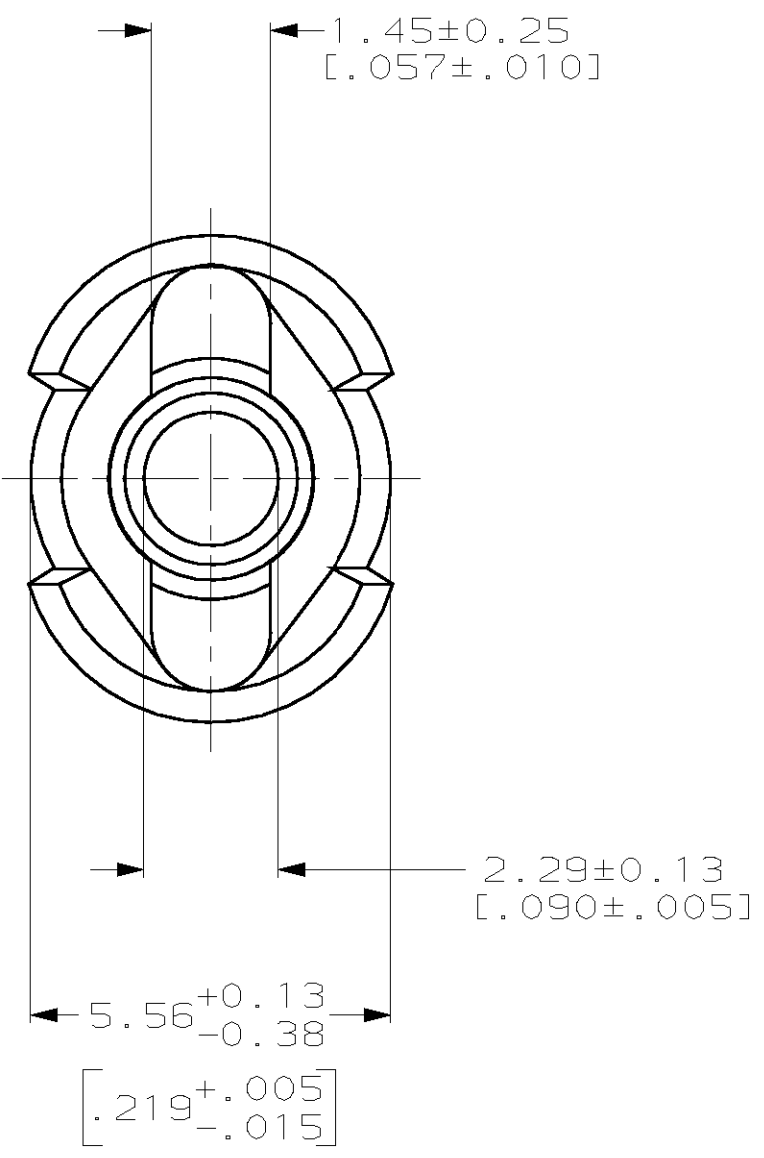
3

2

1

THIS DRAWING IS UNPUBLISHED. RELEASED FOR PUBLICATION, 19 .  
© COPYRIGHT 19 BY AMP INCORPORATED. ALL RIGHTS RESERVED.

| LOC | DIST | REVISIONS   |                      |         |       |
|-----|------|-------------|----------------------|---------|-------|
| P   | LTR  | DESCRIPTION | DATE                 | DWN     | APVD  |
| AJ  | 16   | T           | REV PER 0U20-0563-00 | 19OCT00 | MO JL |



- 1 ZINC PLATE PER QQ-Z-325
- 2 COPPER PER QQ-C-576
- 3 BRASS PER ASTM-B-16
- 4 TIN PLATE PER MIL-T-10727

OBSOLETE

| WEIGHT   | COLOR     | FINISH | PART NUMBER |
|----------|-----------|--------|-------------|
| .0212 OZ | AS PLATED | 4      | 2-323931-2  |
| -        | AS PLATED | 4      | 2-323931-1  |
| .0212 OZ | AS PLATED | 1      | 323931      |

|   |  |                                   |   |
|---|--|-----------------------------------|---|
| THIS DRAWING IS A CONTROLLED DOCUMENT.                                |  | DWN<br>J.L. GROFT<br>1-3-97       | AMP Incorporated<br>Harrisburg, PA 17105-3608 |
| DIMENSIONS:<br>mm [INCHES]  |  | CHK<br>S.W. BURKHOLDER<br>1-3-97  |   |
|   |  | APVD<br>S.W. BURKHOLDER<br>1-3-97 |   |
| TOLERANCES UNLESS OTHERWISE SPECIFIED:                                |  | PRODUCT SPEC                      | NAME<br>FERRULE ASSEMBLY,<br>TERMASHIELD      |
| 0 PLC ±-<br>1 PLC ±-<br>2 PLC ±-<br>3 PLC ±-<br>4 PLC ±-<br>ANGLES ±- |  | APPLICATION SPEC                  | SIZE<br>A3                                    |
| MATERIAL SEE NOTES  |  | WEIGHT -                          | CAGE CODE<br>00779                            |
| FINISH SEE NOTES  |  | CUSTOMER DRAWING                  | DRAWING NO<br>C-323931                        |
|   |  | SCALE 10:1                        | SHEET 1 OF 1                                  |
|   |  |                                   | REV T   |

## X-ON Electronics

Largest Supplier of Electrical and Electronic Components

*Click to view similar products for [RF Connector Accessories](#) category:*

*Click to view products by [TE Connectivity](#) manufacturer:*

Other Similar products are found below :

[89674-0712](#) [F702RX24](#) [FERRULE-174](#) [R141802000](#) [R141805000](#) [R141842000](#) [R161862000](#) [R161862000W](#) [R280752000](#) [R280907000](#)  
[R694261906](#) [RFI21-13](#) [RFI75-13-D2](#) [RFI75-4-D2](#) [AX102906](#) [AX102907](#) [18097-0013](#) [HP-375](#) [HP-500](#) [2098-0294-00](#) [2098-3251-94](#) [KA-](#)  
[81-05](#) [89674-0805](#) [F1](#) [FERRULE-223](#) [202102-11](#) [213337-1](#) [220222-2](#) [24092671A](#) [24092678A](#) [R280468000](#) [R280510000](#) [R282862060](#)  
[RFI155-1](#) [RFI25-12-D3](#) [RFI25-5](#) [RFI25-5-D3](#) [RFI75-12-D2](#) [RFI75-2-D2](#) [RFI75-4-D3](#) [RFI77-6](#) [360HS001M2508M6](#) [4-1532137-4](#) [5-21085-](#)  
[0](#) [105274-1000](#) [111062-0490](#) [112122-SOD-LUG](#) [112-NUT-KNURL](#) [IPP-2014](#) [R280490020](#)