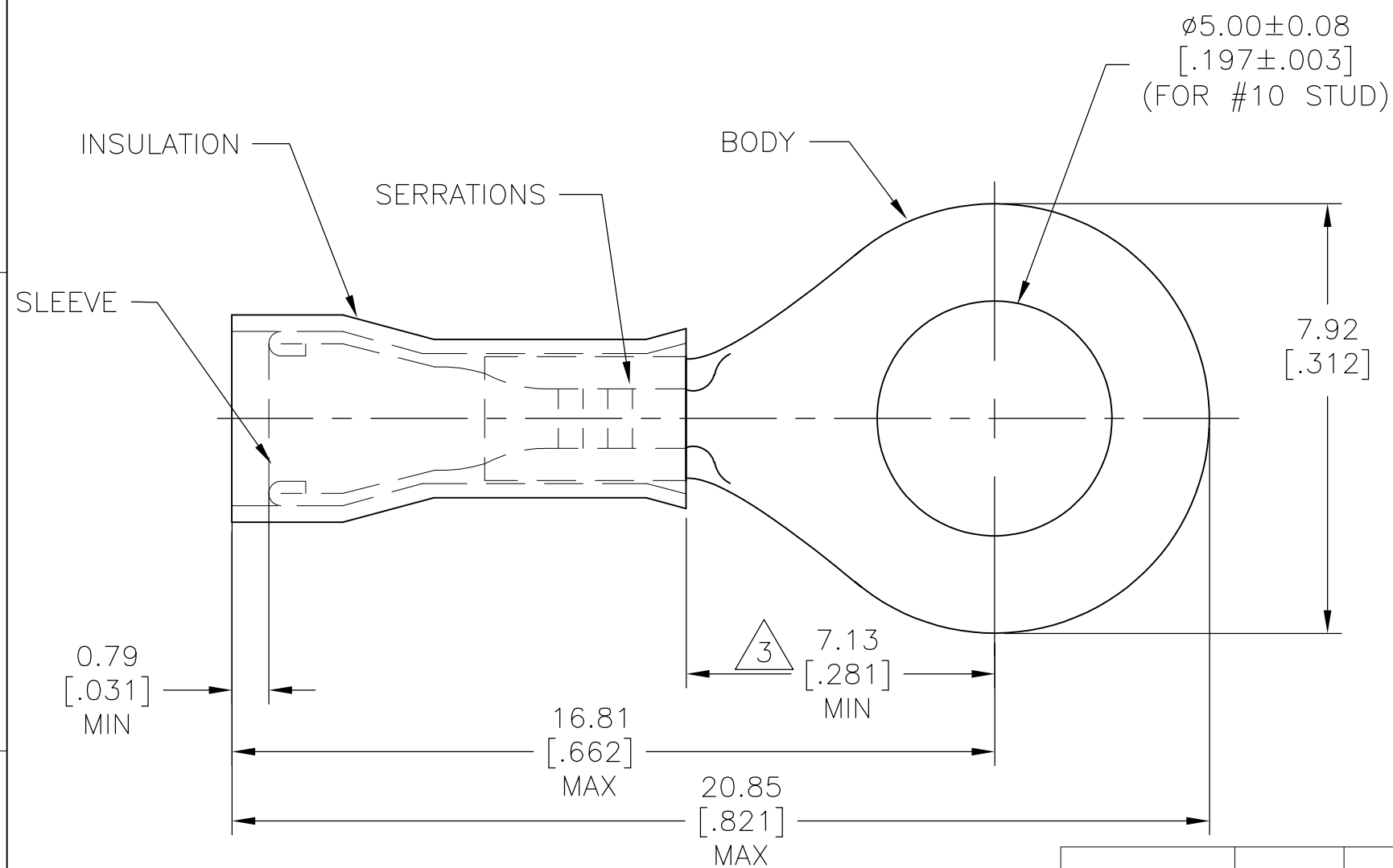


THIS DRAWING IS UNPUBLISHED. RELEASED FOR PUBLICATION  
 © COPYRIGHT - By - ALL RIGHTS RESERVED.

| LOC | DIST | REVISIONS   |                           |           |       |
|-----|------|-------------|---------------------------|-----------|-------|
| P   | LTR  | DESCRIPTION | DATE                      | DWN       | APVD  |
| G   | 14   | F3          | REVISED PER ECO-14-007091 | 13MAY2014 | NK DR |



- 1 FOR 1.02 [0.040] TO 2.54 [0.100] WIRE INSULATION DIA
- 2 TONGUE MATERIAL THK = 0.58 ± 0.05 [0.023 ± 0.002]
- 3 APPLIES FROM THE METAL EDGE OF THE BARREL TO THE CENTER OF THE STUD
- 4 SUPERCEDED BY 323990

|   |          |          |                       |   |            |
|---|----------|----------|-----------------------|---|------------|
| 4 | OBSOLETE | 5000     | 2-323990-2<br>ON TAPE | BODY & SLEEVE: COPPER (ASTM-B152)<br>TIN PL (ASTM-B545)<br>INSULATION: BLACK NYLON<br>(ASTM-D4066) TYPE 1   | 2-323990-3 |
|   | 4        | OBSOLETE | 1000                  |   | LOOSE PC   |
|   |          | 5000     | 323990<br>ON TAPE     | BODY & SLEEVE: COPPER (ASTM-B152)<br>TIN PL (ASTM-B545)<br>INSULATION: NATURAL NYLON<br>(ASTM-D4066) TYPE 1 | 2-323990-1 |
|   |          | 1000     | LOOSE PC              |   | 323990     |
|   |          | QTY      | PACKAGE TYPE          | MATERIAL & FINISH   | PART NO    |

|  |  |                                    |                            |            |               |
|--|--|------------------------------------|----------------------------|------------|---------------|
| THIS DRAWING IS A CONTROLLED DOCUMENT. |  | DWN<br>R.GRZYBOWSKI<br>9NOV2009    | <b>STE</b> TE Connectivity |            |               |
| DIMENSIONS:<br>mm [INCHES]             |  | CHK<br>TOM MICHIELUTTI<br>9NOV2009 |                            |            |               |
| TOLERANCES UNLESS OTHERWISE SPECIFIED: |  | APVD<br>M.PERCHERKE<br>9NOV2009    | NAME                       |            |               |
| 0 PLC ± -                              |  | PRODUCT SPEC                       | WIRE TERMINAL              |            |               |
| 1 PLC ± -                              |  | APPLICATION SPEC                   | PIDG - RING TONGUE         |            |               |
| 2 PLC ± -                              |  | WEIGHT                             | WIRE SIZE: 24-20           |            |               |
| 3 PLC ± 0.20 [0.008]                   |  | SIZE                               | CAGE CODE                  | DRAWING NO | RESTRICTED TO |
| 4 PLC ± -                              |  | —                                  | —                          | A300779    | —             |
| ANGLES ± 0° 30'                        |  | FINISH                             | C=323990                   |            |               |
| MATERIAL<br>SEE TABLE                  |  | FINISH<br>SEE TABLE                | CUSTOMER DRAWING           |            |               |
|  |  | SCALE                              | SHEET                      | REV        |               |
|  |  | 8:1                                | 1 OF 1                     | F3         |               |

## X-ON Electronics

Largest Supplier of Electrical and Electronic Components

*Click to view similar products for [Terminals](#) category:*

*Click to view products by [TE Connectivity](#) manufacturer:*

Other Similar products are found below :

[HT-13-10](#) [71M-250-32-NB](#) [01-2065-1-0216](#) [00581P0075](#) [M10-10RX](#) [M10BCK](#) [60205-1](#) [604200-1](#) [60598-1-CUT-TAPE](#) [60617-1-C](#) [60873-1](#) [M14-516R/SK](#) [M14-6RSX](#) [M18-8FBX](#) [M18-8R/LX](#) [M18BCK](#) [61314-6-C](#) [61-S](#) [61-SN-A](#) [62-NBM-A](#) [63-S](#) [640179-1](#) [640917-2-CUT-TAPE](#) [6501550002](#) [66107-2-C](#) [696683-1](#) [696834-1](#) [696861-1](#) [696931-1](#) [696999-1](#) [M8-516RK](#) [M86700006](#) [MA250DMFMX-A](#) [701-2007](#) [701-2307](#) [701-7761-03](#) [70F-110-32-PB](#) [718-N-A](#) [71M-187-20-NBL](#) [71M-250-32-NBL](#) [72F-187-20-NBL](#) [72M-250-32-NBL](#) [7310](#) [73F-250-32](#) [73F-250-32-NL](#) [F14-10C](#) [F-1M](#) [751-250](#) [76650-5002](#) [76828-149](#)