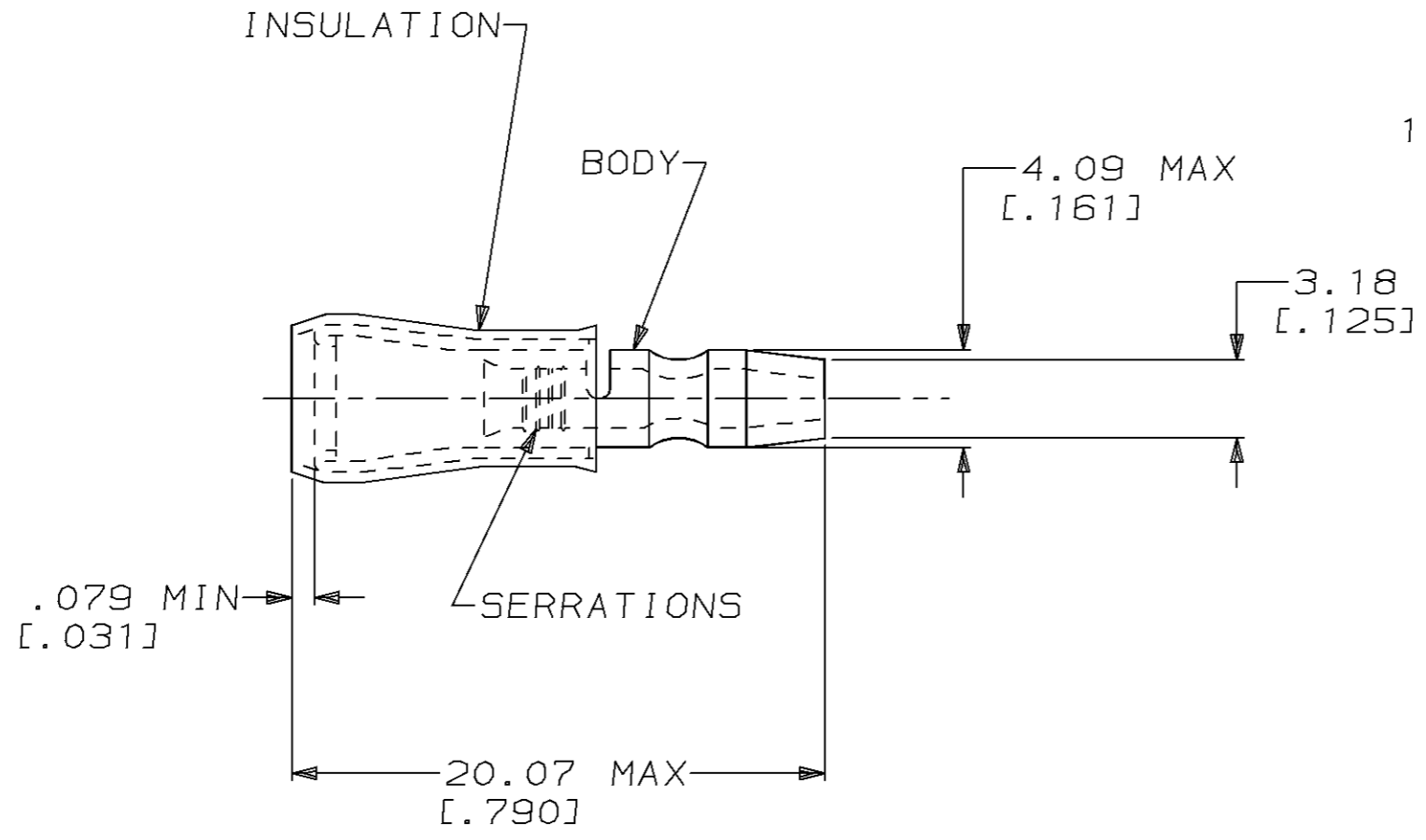


THIS DRAWING IS UNPUBLISHED. RELEASED FOR PUBLICATION ,19 .
 © COPYRIGHT 19 BY AMP INCORPORATED. ALL RIGHTS RESERVED.

LOC	DIST	REVISIONS			
P	LTR	DESCRIPTION	DATE	DWN	APVD
G	14	H	REV & REDRAW / 0720-0777-95	28SEP95	ME NB

AMP
WIRE RANGE
16-14 AWG
SOLID OR STRANDED

1. WIRE INSUL DIA, 2.92-4.32 [.115-.170]



QTY	PACKAGE TYPE	PART NO
---	-----	-----
100	LOOSE PIECE, BOX SPL	8-324225-5
100	LOOSE PIECE, BOX	8-324225-1
2500	ON TAPE, REEL	2-324225-1
1000	LOOSE PIECE	324225

AMP INCORPORATED
CUSTOMER SERVICE SYSTEM

FOR ADDITIONAL PRODUCT INFORMATION OR COPIES OF DRAWINGS AND TECHNICAL DOCUMENTS	PRODUCT INFORMATION CENTER 1-800-522-6752
FOR APPLICATION TOOLING INFORMATION	TOOLING ASSISTANCE CENTER 1-800-722-1111
FOR ORDER ENTRY	1-800-526-5142

MAX RECOMMENDED OPERATING TEMPERATURE:
105°C [221°F]

VOLTAGE RATING:
300 V MAX

CIRCULAR MIL AREA:
1.04mm²-2.62mm² [2050-5180]

SOLID OR STRANDED

THIS DRAWING IS A CONTROLLED DOCUMENT FOR AMP INCORPORATED. IT IS SUBJECT TO CHANGE AND THE CONTROLLING ENGINEERING ORGANIZATION SHOULD BE CONTACTED FOR THE LATEST REVISION.

DIMENSIONS:	TOLERANCES UNLESS OTHERWISE SPECIFIED.
mm [in]	
	0 PLC ±-
	1 PLC ±-
	2 PLC ±0.13 [.005]
	3 PLC ±-
	4 PLC ±-
	ANGLES ±-

MATERIAL: BODY, SLV, COPPER PER ASTM B 152; FINISH: BODY & SLV, TIN PLATE PER MIL-T-10727
 INSUL, NYLON, COLOR, BLUE

DWN	M ELLIS	28SEP95	AMP AMP Incorporated Harrisburg, PA 17105-3608
CHK	C PRESNELL	28SEP95	
APVD	N BIRCH	28SEP95	
PRODUCT SPEC			
APPLICATION SPEC			NAME TERMINAL, SHUR PLUG, PIDG™, WIRE SIZE, 16-14 AWG
WEIGHT	-		SIZE A3
CUSTOMER DRAWING			CAGE CODE 00779
			DRAWING NO C-324225
			SCALE 4:1
			SHEET 1 OF 1
			REV H

X-ON Electronics

Largest Supplier of Electrical and Electronic Components

Click to view similar products for [Terminals](#) category:

Click to view products by [TE Connectivity](#) manufacturer:

Other Similar products are found below :

[00-054007-01074-6](#) [00-054007-70206-1](#) [00-054007-70210-8](#) [00-054007-70217-7](#) [00-054007-70226-9](#) [00-054007-70228-3](#) [00-054007-70248-1](#) [00-054007-70256-6](#) [00-054007-70301-3](#) [00-054007-70316-7](#) [0-0320562-0](#) [00-054007-49560-4](#) [00-054007-70209-2](#) [00-054007-70225-2](#) [00-054007-70227-6](#) [00-054007-70231-3](#) [00-054007-70241-2](#) [00-054007-70242-9](#) [00-054007-70244-3](#) [00-054007-70246-7](#) [00-054007-70263-4](#) [00-054007-70288-7](#) [00-054007-70290-0](#) [00-054007-70300-6](#) [00-054007-70304-4](#) [01-2065-1-0216](#) [01-2900-1-04412](#) [00581P0075](#) [600TS-10](#) [60205-1](#) [604200-1](#) [605601-1](#) [60598-1-CUT-TAPE](#) [61314-6-C](#) [61810-3](#) [61-S](#) [61-SN](#) [626-0194](#) [62-NBM-A](#) [62-SN](#) [62-SP](#) [63-S](#) [640179-1](#) [M55155/059I03](#) [M55155/079C01](#) [M55155/099H02](#) [M55155/109H01](#) [M55155/109H02](#) [M55155/12XH05](#) [M55155/16XH02](#)