

THIS DRAWING IS UNPUBLISHED.

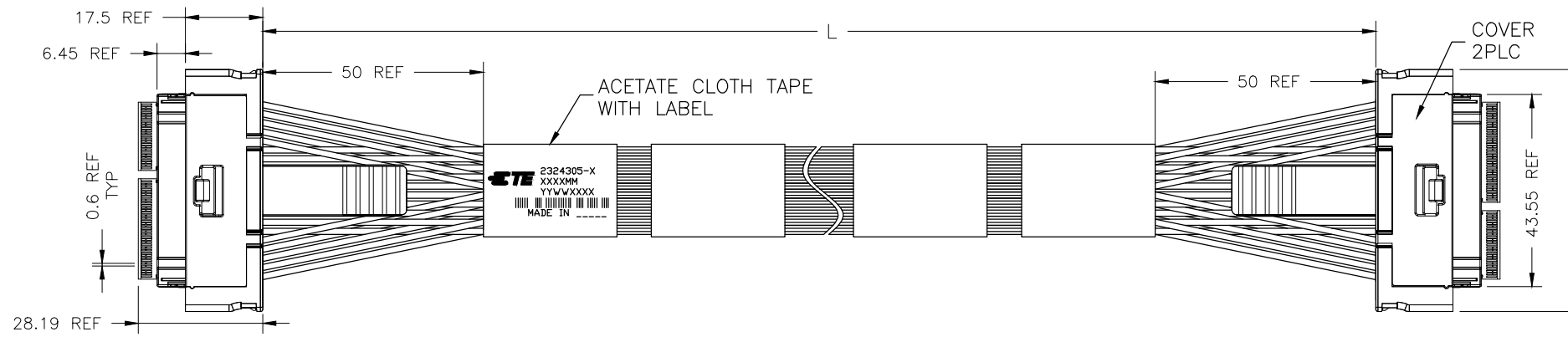
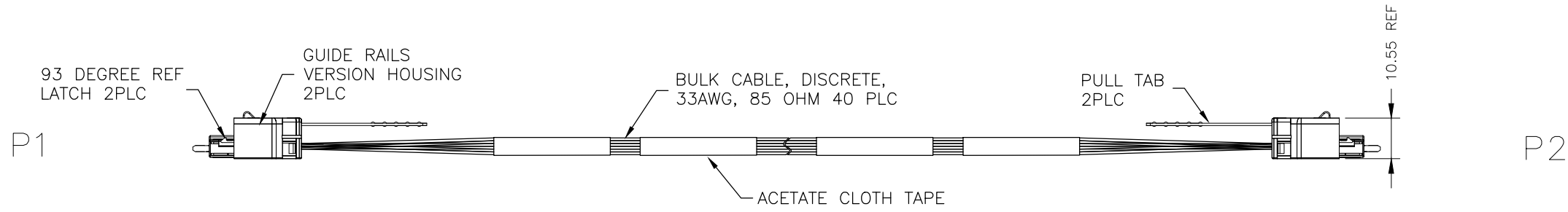
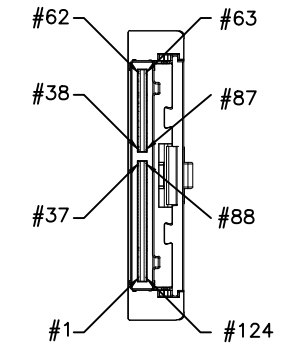
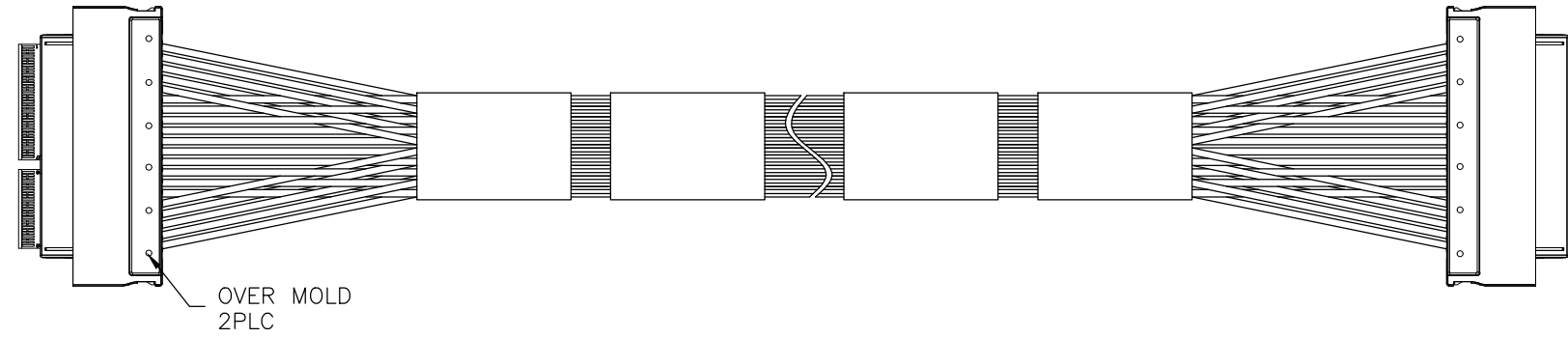
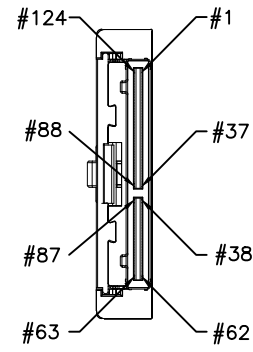
RELEASED FOR PUBLICATION

REVISIONS

© COPYRIGHT - TE Connectivity Ltd.

ALL RIGHTS RESERVED.

P	LTR	DESCRIPTION	DATE	DWN	APVD
	B	REVISED PER ECO-19-009198	12JUL2019	MY	DZ



6	1000±20	2324305-2
3	500±10	2324305-1
NUMBER OF TAPE	"L" MM	TE PN

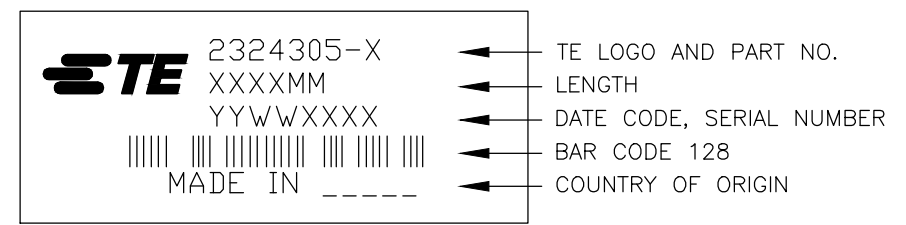
THIS DRAWING IS A CONTROLLED DOCUMENT.		DWN ANDY HOU 24AUG2018	TE Connectivity				
DIMENSIONS: mm		CHK ANDY HOU 24AUG2018				NAME	
TOLERANCES UNLESS OTHERWISE SPECIFIED:		APVD DAVID ZHANG 24AUG2018	CABLE ASSEMBLY, SLIVER				
 0 PLC ± - 1 PLC ± - 2 PLC ± - 3 PLC ± - 4 PLC ± - ANGLES ± -		PRODUCT SPEC	124 POSITION, 85OHM, STR TO STR				
MATERIAL		FINISH	APPLICATION SPEC	SIZE	CAGE CODE	DRAWING NO	RESTRICTED TO
-		-	-	NA	A300779	C-2324305	-
CUSTOMER DRAWING			SCALE	SHEET	REV		
			1:1	1 OF 3	B		

THIS DRAWING IS UNPUBLISHED. RELEASED FOR PUBLICATION
 © COPYRIGHT - TE Connectivity Ltd. ALL RIGHTS RESERVED.

REVISIONS				
P	LTR	DESCRIPTION	DATE	APVD
-	-	SEE SHEET 1	-	-

P1		P2		P1		P2	
PAIR 1	1	GND	62	PAIR 21	124	GND	63
	2	↔	61		123	↔	64
	3	↔	60		122	↔	65
	4	GND	59		121	GND	66
PAIR 2	5	↔	58	PAIR 22	120	↔	67
	6	↔	57		119	↔	68
	7	GND	56		118	GND	69
PAIR 3	8	↔	55	PAIR 23	117	↔	70
	9	↔	54		116	↔	71
	10	GND	53		115	GND	72
PAIR 4	11	↔	52	PAIR 24	114	↔	73
	12	↔	51		113	↔	74
	13	GND	50		112	GND	75
PAIR 5	14	↔	49	PAIR 25	111	↔	76
	15	↔	48		110	↔	77
	16	GND	47		109	GND	78
PAIR 6	17	↔	46	PAIR 26	108	↔	79
	18	↔	45		107	↔	80
	19	GND	44		106	GND	81
PAIR 7	20	↔	43	PAIR 27	105	↔	82
	21	↔	42		104	↔	83
	22	GND	41		103	GND	84
PAIR 8	23	↔	40	PAIR 28	102	↔	85
	24	↔	39		101	↔	86
	25	GND	37/38		100	GND	87/88
PAIR 9	26	↔	36	PAIR 29	99	↔	89
	27	↔	35		98	↔	90
	28	GND	34		97	GND	91
PAIR 10	29	↔	33	PAIR 30	96	↔	92
	30	↔	32		95	↔	93
	31	GND	31		94	GND	94
PAIR 11	32	↔	30	PAIR 31	93	↔	95
	33	↔	29		92	↔	96
	34	GND	28		91	GND	97
PAIR 12	35	↔	27	PAIR 32	90	↔	98
	36	↔	26		89	↔	99
	37/38	GND	25		87/88	GND	100
PAIR 13	39	↔	24	PAIR 33	86	↔	101
	40	↔	23		85	↔	102
	41	GND	22		84	GND	103
PAIR 14	42	↔	21	PAIR 34	83	↔	104
	43	↔	20		82	↔	105
	44	GND	19		81	GND	106
PAIR 15	45	↔	18	PAIR 35	80	↔	107
	46	↔	17		79	↔	108
	47	GND	16		78	GND	109
PAIR 16	48	↔	15	PAIR 36	77	↔	110
	49	↔	14		76	↔	111
	50	GND	13		75	GND	112
PAIR 17	51	↔	12	PAIR 37	74	↔	113
	52	↔	11		73	↔	114
	53	GND	10		72	GND	115
PAIR 18	54	↔	9	PAIR 38	71	↔	116
	55	↔	8		70	↔	117
	56	GND	7		69	GND	118
PAIR 19	57	↔	6	PAIR 39	68	↔	119
	58	↔	5		67	↔	120
	59	GND	4		66	GND	121
PAIR 20	60	↔	3	PAIR 40	65	↔	122
	61	↔	2		64	↔	123
	62	GND	1		63	GND	124

- CABLE ASSEMBLY TO BE TESTED FOR OPENS, SHORTS AND WIRING MAPPING. CABLES ARE ALSO TO BE TESTED FOR SIGNAL INTEGRITY. 10% OF PRODUCT TO BE TESTED FOR SIGNAL INTEGRITY.
- ALL MATERIALS, COMPONENTS AND PROCESS SHALL COMPLY WITH TEC-138-702, CONTAINS NO BANNED OR RESTRICTED SUBSTANCES.
- NO REACH SVHC SHALL BE CONTAINED ABOVE THE THRESHOLD AS DEFINED IN REACH SVHC COMPLIANCE DEFINITION IN ANNEX A OF TEC-138-702.
- SEE SHEET 2 FOR WIRING SCHEMATIC.
- MINIMUM BEND RADIUS OF THE CABLE = R4.5mm IN THE CABLE THICKNESS AXIS ONLY. MIN BEND RADIUS DOES NOT APPLY TO CABLE BENT IN THE WIDTH AXIS.
- LABEL INFORMATION:



7. CABLE ASSEMBLIES ARE INDIVIDUALLY PACKAGED IN A CLEAR PLASTIC TUBE, SEALED ON BOTH ENDS.

WIRING SCHEMATIC

THIS DRAWING IS A CONTROLLED DOCUMENT.		DWN 24AUG2018 ANDY HOU	TE Connectivity CABLE ASSEMBLY, SLIVER 124 POSITION, 85OHM, STR TO STR	
DIMENSIONS: mm		CHK 24AUG2018 ANDY HOU		
TOLERANCES UNLESS OTHERWISE SPECIFIED:		APVD 24AUG2018 DAVID ZHANG	NAME	
0 PLC ± - 1 PLC ± - 2 PLC ± - 3 PLC ± - 4 PLC ± - ANGLES ± -		PRODUCT SPEC	-	
MATERIAL		APPLICATION SPEC	-	
FINISH		WEIGHT NA	SIZE A3	RESTRICTED TO -
		CUSTOMER DRAWING	CAGE CODE 00779	DRAWING NO C-2324305
		SCALE 1:1	SHEET 2 of 3	REV B

X-ON Electronics

Largest Supplier of Electrical and Electronic Components

Click to view similar products for [Ribbon Cables / IDC Cables](#) category:

Click to view products by [TE Connectivity](#) manufacturer:

Other Similar products are found below :

[FSK-12A](#) [AWG28-10G](#) [EHJ3C](#) [EHJ4C](#) [cab-LVDV-PWR-10-15](#) [FSP-25A](#) [3365/15 \(100FT\)](#) [cab-LVDV-DAT-34-15](#) [49635-C62-S2](#) [1-3636-600-5204](#) [92315-1408](#) [426171120-3](#) [3625/08 \(100M\)](#) [0044704](#) [2-1589735-3](#) [JSM015PP2DCC23N](#) [92301-0283](#) [ACL-eSSI-2](#) [92301-0718](#) [MMSDT-06-20-S-05.5-D-K-LDX](#) [IDD-04-G](#) [NM-2J2-051-PS1-JJAB](#) [1700/14SF \(100FT\)](#) [1700/26SF \(100FT\)](#) [1700/34SF \(100FT\)](#) [3801/09 \(100FT\)](#) [DS1057-06A282R-30.5](#) [DS1057-12A282R-30.5](#) [DS1057-14A282R-76.5](#) [DS1057-20A282R-76.5](#) [DS1057-24A282R-76.5](#) [DS1057-26A282R-76.5](#) [DS1057-30A282R-76.5](#) [DS1057-34A282R-76.5](#) [DS1057-40A282R-76.5](#) [DS1057-60A282R-76.5](#) [DS1057-64A282R-76.5](#) [DS1058-08M28-30.5](#) [DS1058-30M28-30.5](#) [3750/10 \(100FT\)](#) [0015712](#) [0015905](#) [S30109](#) [11203](#) [11223](#) [11243](#) [11262](#) [0037147](#) [0022512](#) [0022412](#)