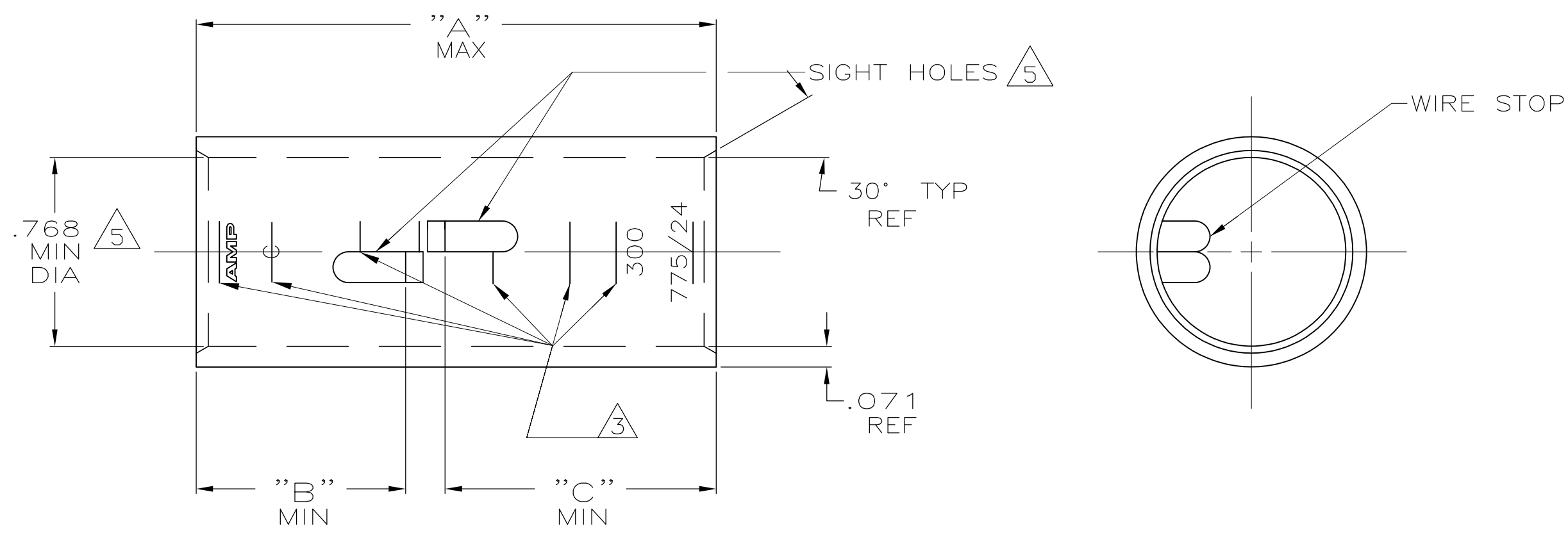


THIS DRAWING IS UNPUBLISHED. RELEASED FOR PUBLICATION
 © COPYRIGHT - By - ALL RIGHTS RESERVED.

REVISIONS					
P	LTR	DESCRIPTION	DATE	DWN	APVD
	U	ECR-13-000998	11FEB2013	PK	HS
	U1	ECR-16-012832	07SEP2016	KR	MV



- ① TIN PL .000150 MIN THK PER ASTM B-545
- ② PART NO: 324463; .116 LB.
PART NO: 1-324463-0; .116 LB.
PART NO: 2-324463-5; .132 LB.
- ③ CRIMP LOCATION MARKS ON P/N 2-324463-5 ONLY.
- ④ CLEANED, UNPLATED
- ⑤ .045 MAX BURR ALLOWED INSIDE THE WIRE BARREL ID IN AREA OF SIGHT HOLE.

1.10	.85	2.18	① ③	275-325 MCM	COPPER ASTM-B-75 ANNEALED	2-324463-5
.85	.85	1.93	④ ⑤			1-324463-0
"C"	"B"	"A"	FINISH	WIRE RANGE	MATERIAL	PART No 324463

THIS DRAWING IS A CONTROLLED DOCUMENT.

DIMENSIONS: INCHES	TOLERANCES UNLESS OTHERWISE SPECIFIED:	DWN DK SCHRUM 4/24/89	TE Connectivity SPLICE, BUTT, AMPPOWER WIRE SIZE: 300 MCM
	0 PLC ± -	CHK MS FEHER 4/24/89	
	1 PLC ± -	APVD WJ VOCKROTH 11/8/89	
	2 PLC ± -	NAME	
	3 PLC ± -	PRODUCT SPEC	SIZE
	4 PLC ± -	APPLICATION SPEC	CAGE CODE
	ANGLES ± -	WEIGHT	DRAWING NO
MATERIAL SEE TABLE	FINISH SEE TABLE	CUSTOMER DRAWING	RESTRICTED TO
		SCALE 2:1	SHEET 1 OF 1
		REV U1	

X-ON Electronics

Largest Supplier of Electrical and Electronic Components

Click to view similar products for [Terminals](#) category:

Click to view products by [TE Connectivity](#) manufacturer:

Other Similar products are found below :

[HT-13-10](#) [71M-250-32-NB](#) [01-2065-1-0216](#) [00581P0075](#) [M10-10RX](#) [M10BCK](#) [60205-1](#) [604200-1](#) [60598-1-CUT-TAPE](#) [60617-1-C](#) [60873-1](#) [M14-516R/SK](#) [M14-6RSX](#) [M18-8FBX](#) [M18-8R/LX](#) [M18BCK](#) [61314-6-C](#) [61-S](#) [61-SN-A](#) [62-NBM-A](#) [63-S](#) [640179-1](#) [640917-2-CUT-TAPE](#) [6501550002](#) [66107-2-C](#) [696683-1](#) [696834-1](#) [696861-1](#) [696931-1](#) [696999-1](#) [M8-516RK](#) [M86700006](#) [MA250DMFMX-A](#) [701-2007](#) [701-2307](#) [701-7761-03](#) [70F-110-32-PB](#) [718-N-A](#) [71M-187-20-NBL](#) [71M-250-32-NBL](#) [72F-187-20-NBL](#) [72M-250-32-NBL](#) [7310](#) [73F-250-32](#) [73F-250-32-NL](#) [F14-10C](#) [F-1M](#) [751-250](#) [76650-5002](#) [76828-149](#)