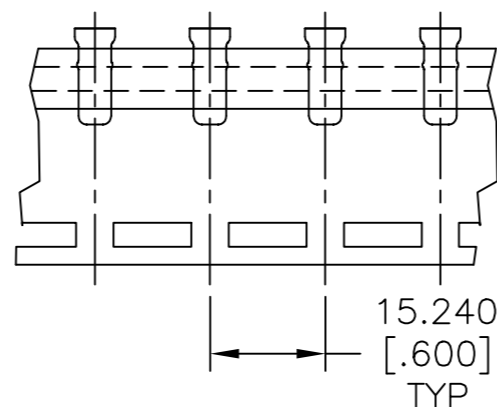
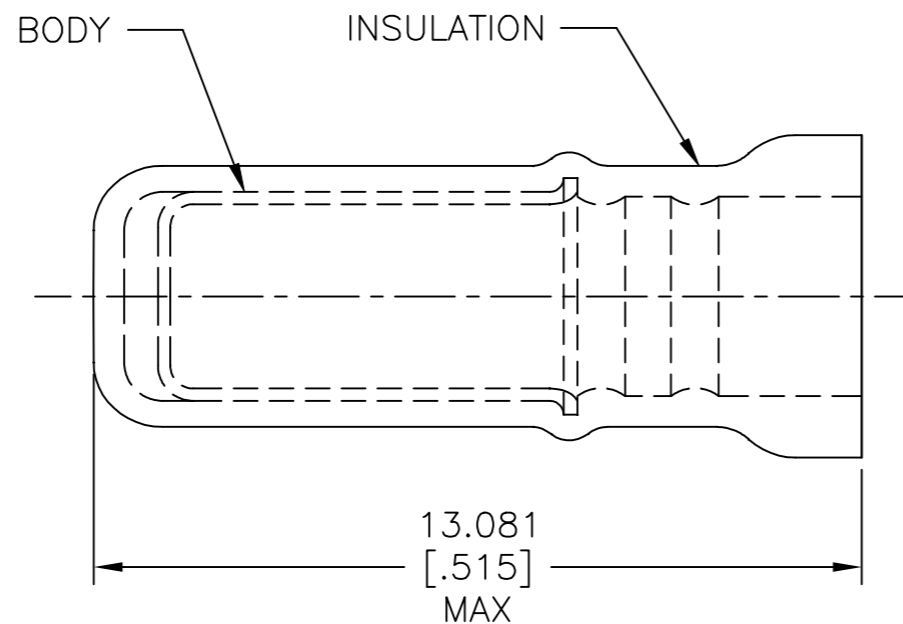


REVISIONS

P	LTR	DESCRIPTION	DATE	DWN	APVD
	N	REV/REDRAWN/0720-0482-95 & 0720-0002-95	14FEB95	LO	ME
	N1	REVISED PER ECO-17-006294	10OCT2017	RS	DR
	P	REVISED PER ECO-18-009069	27NOV2018	RS	DR



SPARE WIRE CAPS ON TAPE  
(SCALE 1:1)

- 1 USE FOR AN UNSTRIPPED (SINGLE) WIRE END ONLY.
- 2 WIRE INSUL,  $\phi 2.032-2.921[\phi .080-.115]$

3500	ON TAPE, REEL	2-324485-1
1000	LOOSE PIECE	324485
QTY	PACKAGE TYPE	PART NO

AMP INCORPORATED  
CUSTOMER SERVICE SYSTEMS

THIS DRAWING IS A CONTROLLED DOCUMENT.

DWN	L OLMEDA	14FEB95
CHK	M ELLIS	14FEB95
APVD	T MICHIELUTTI	14FEB95
PRODUCT SPEC	-	
APPLICATION SPEC	114-2157	
WEIGHT	-	
CUSTOMER DRAWING		



NAME			SPARE WIRE CAP, RED .080-.115 INSULATION		
SIZE	CAGE CODE	DRAWING NO	RESTRICTED TO		
A3	00779	©-324485	-		
SCALE		8:1	SHEET		1 of 1
REV		P			

FOR ADDITIONAL PRODUCT INFORMATION OR COPIES OF DRAWINGS AND TECHNICAL DOCUMENTS	PRODUCT INFORMATION CENTER 1-800-522-6752	MAX RECOMMENDED OPERATING TEMPERATURE: 105°C [221°F] MAX
FOR APPLICATION TOOLING INFORMATION	TOOLING ASSISTANCE CENTER 1-800-722-1111	
FOR ORDER ENTRY	1-800-526-5142	WIRE CROSS SECTIONAL AREA RANGE, 0.26-1.65mm²[509-3,260] CIR MILS SOLID OR STRANDED

DIMENSIONS: mm [INCHES]	TOLERANCES UNLESS OTHERWISE SPECIFIED:
	0 PLC ± -
	1 PLC ± -
	2 PLC ± 0.203[.008]
	3 PLC ± -
	4 PLC ± -
	ANGLES ± -
MATERIAL	FINISH
BODY, CU PER ASTM B152 INSUL, NYLON, COLOR, RED	BODY, TIN PLATE PER ASTM B545

## X-ON Electronics

Largest Supplier of Electrical and Electronic Components

*Click to view similar products for [Terminals](#) category:*

*Click to view products by [TE Connectivity](#) manufacturer:*

Other Similar products are found below :

[00-054007-01074-6](#) [00-054007-70206-1](#) [00-054007-70210-8](#) [00-054007-70217-7](#) [00-054007-70226-9](#) [00-054007-70228-3](#) [00-054007-70248-1](#) [00-054007-70256-6](#) [00-054007-70301-3](#) [00-054007-70316-7](#) [0-0320562-0](#) [00-054007-49560-4](#) [00-054007-70209-2](#) [00-054007-70225-2](#) [00-054007-70227-6](#) [00-054007-70231-3](#) [00-054007-70241-2](#) [00-054007-70242-9](#) [00-054007-70244-3](#) [00-054007-70246-7](#) [00-054007-70263-4](#) [00-054007-70288-7](#) [00-054007-70290-0](#) [00-054007-70300-6](#) [00-054007-70304-4](#) [01-2065-1-0216](#) [01-2900-1-04412](#) [00581P0075](#) [600TS-10](#) [60205-1](#) [604200-1](#) [605601-1](#) [60598-1-CUT-TAPE](#) [61314-6-C](#) [61810-3](#) [61-S](#) [61-SN](#) [626-0194](#) [62-NBM-A](#) [62-SN](#) [62-SP](#) [63-S](#) [640179-1](#) [M55155/059I03](#) [M55155/079C01](#) [M55155/099H02](#) [M55155/109H01](#) [M55155/109H02](#) [M55155/12XH05](#) [M55155/16XH02](#)