

4

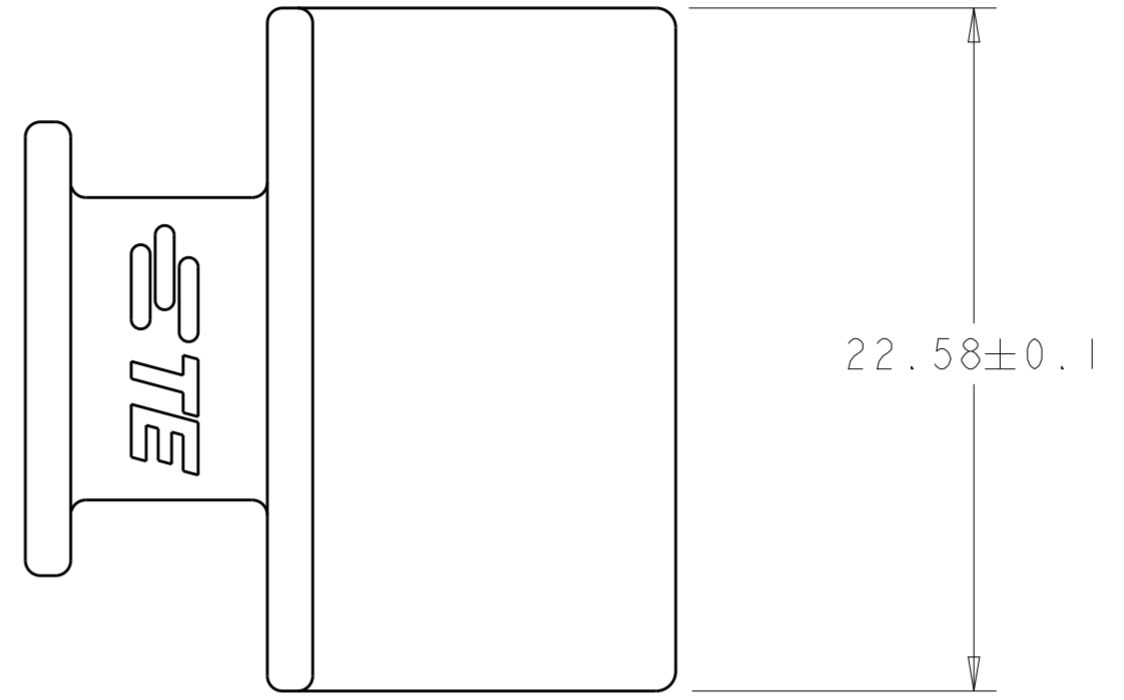
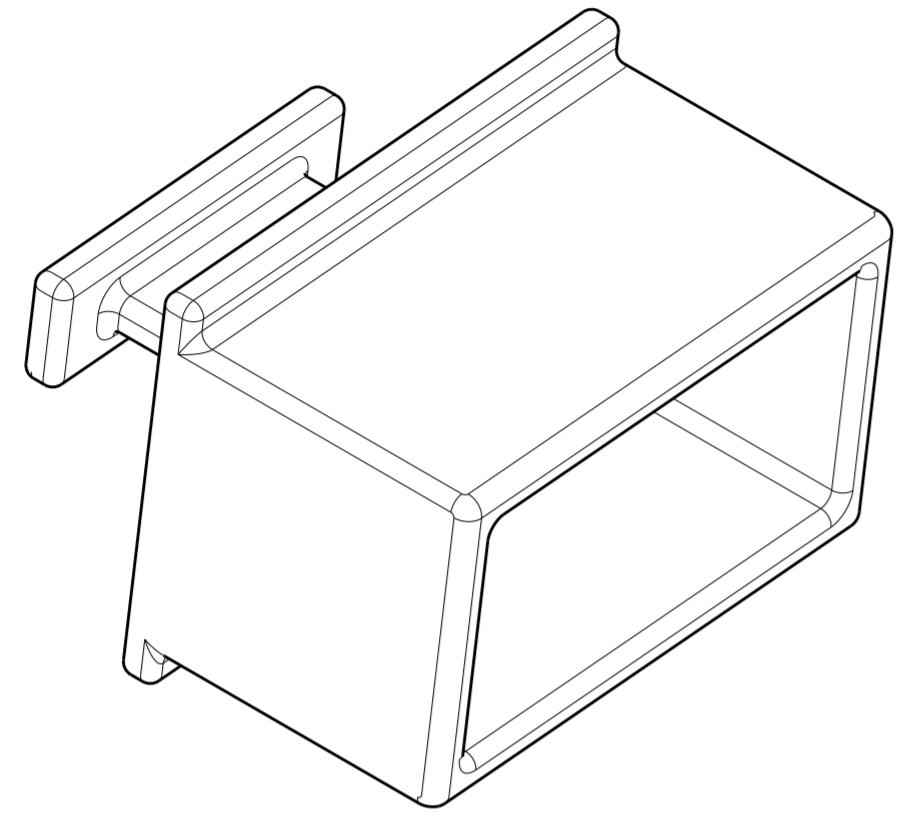
3

2

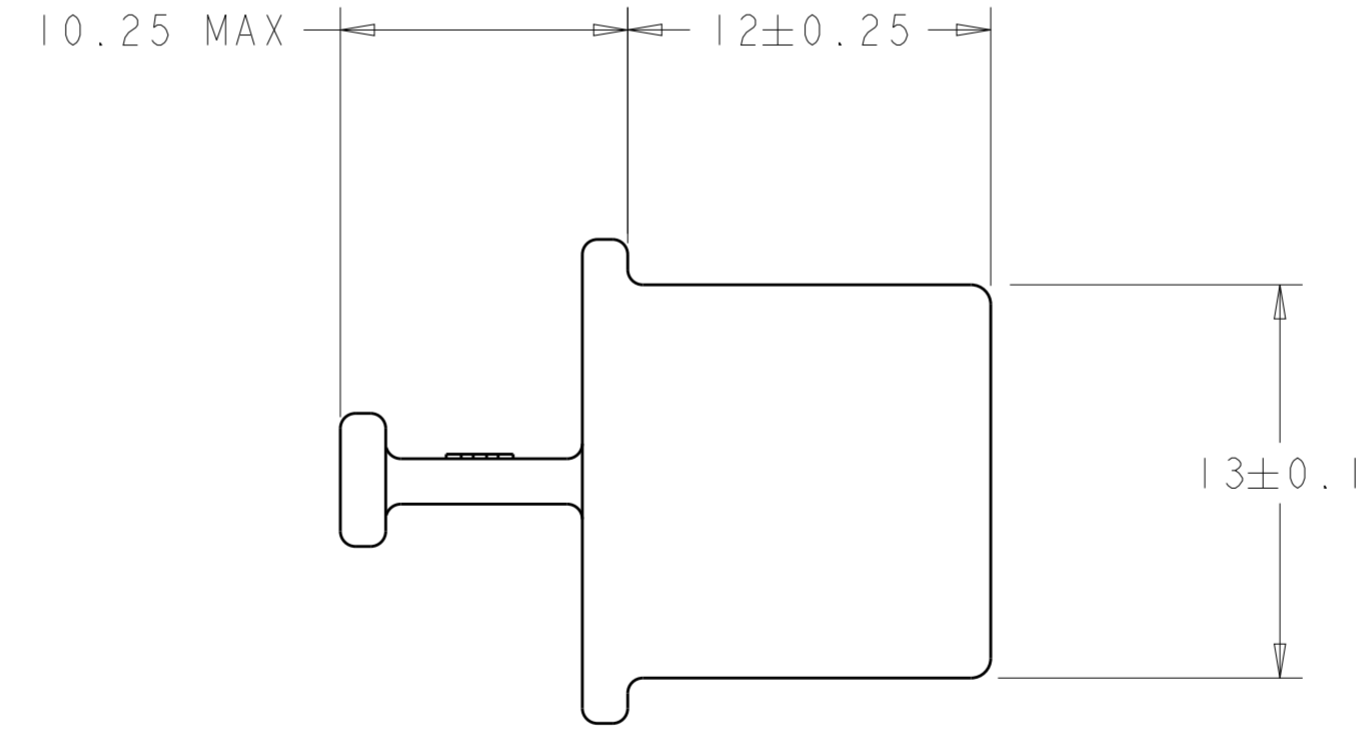
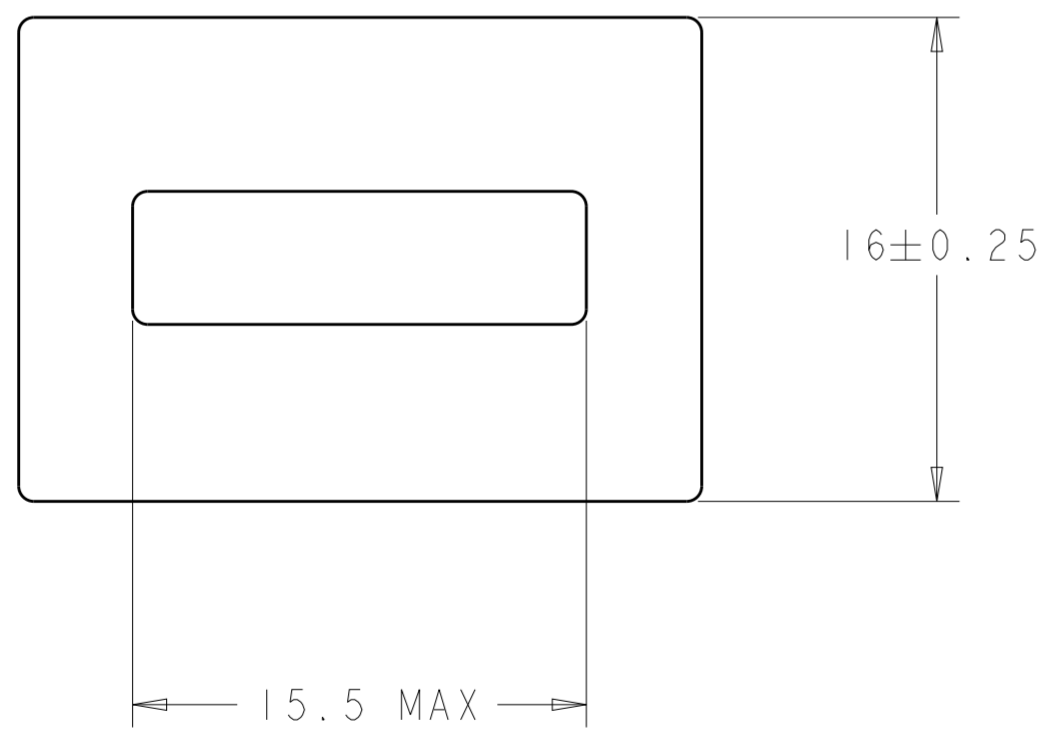
1

THIS DRAWING IS UNPUBLISHED. RELEASED FOR PUBLICATION 2017  
 © COPYRIGHT 2017 BY - ALL RIGHTS RESERVED.

REVISIONS				
P	LTR	DESCRIPTION	DATE	APVD
A		RELEASED PER ECO-18-008361	29MAY2018	CJV EDB
B		REVISED PER ECO-18-010531	05JUL2018	CJV EDB



△ MATERIAL: ABS, BLACK.



2324698-1  
 PART NUMBER.

THIS DRAWING IS A CONTROLLED DOCUMENT.		DWN M. SHIRK 05SEP2017	<b>STE</b> TE Connectivity	
DIMENSIONS: mm		CHK E. BRIANT 05SEP2017		
TOLERANCES UNLESS OTHERWISE SPECIFIED:		APVD E. BRIANT 05SEP2017	NAME EMI AND DUST COVER, OSFP	
0 PLC ±	1 PLC ±	PRODUCT SPEC 108-60117	SIZE -	
2 PLC ±	3 PLC ±	APPLICATION SPEC 114-130009	SIZE A200779	CAGE CODE C-2324698
4 PLC ±	ANGLES ±	WEIGHT -	DRAWING NO -	
MATERIAL △		CUSTOMER DRAWING	RESTRICTED TO	
		SCALE 4:1	SHEET 1	REV B

## X-ON Electronics

Largest Supplier of Electrical and Electronic Components

*Click to view similar products for [I/O Connectors](#) category:*

*Click to view products by [TE Connectivity](#) manufacturer:*

Other Similar products are found below :

[571763P](#) [58098-0628](#) [72.250.1628.2](#) [72.250.2428.2](#) [74720-0505](#) [76.350.0729.0](#) [76871-1403](#) [FCN-244F080-G/1](#) [FCN-260A9920](#) [PCR-E36PM](#) [PCS-XE26MA+](#) [G38A71314B](#) [1571250010](#) [157-22500-3](#) [MS3471L14-19P L/C](#) [172501-4002](#) [172501-6002](#) [FCN-260C008-A/L0](#) [FCN-260C024-AL0](#) [FCN-261Z008](#) [2000314-1](#) [200331-1](#) [PCR-E36FC+](#) [PCS-E28FS+](#) [PCS-XE26SLFD+](#) [PCS-XE26SLFDT+](#) [G730VID08BDC24](#) [U90B2054081210](#) [38113800006](#) [DP3AR020WQ1R200](#) [Z4.102.0680.0](#) [500-1040](#) [500-1052](#) [500-1054](#) [ZP-4008-66L](#) [0709821002](#) [DX40-20P\(55\)](#) [5554841-1](#) [MS3474W18-8P-LC\\*](#) [U90B3054061110](#) [U65-E04-4020](#) [ZPF000000000097891](#) [747360449](#) [10099439-003C-TRLF](#) [10137239-0021LF](#) [E9320-001-01](#) [10137239-0011LF](#) [70289-001LF](#) [70.060.1028.0](#) [109029-ZZ](#)