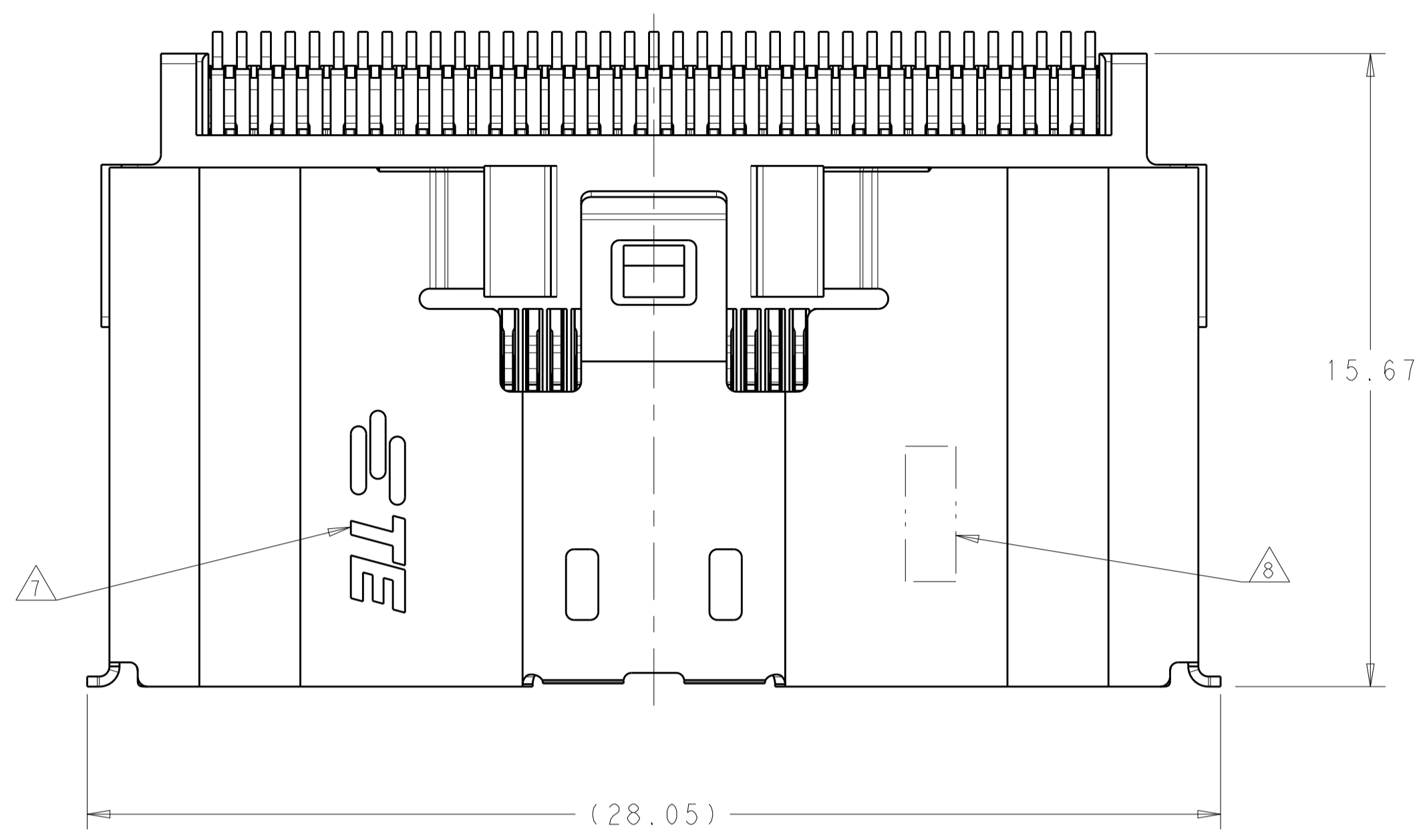
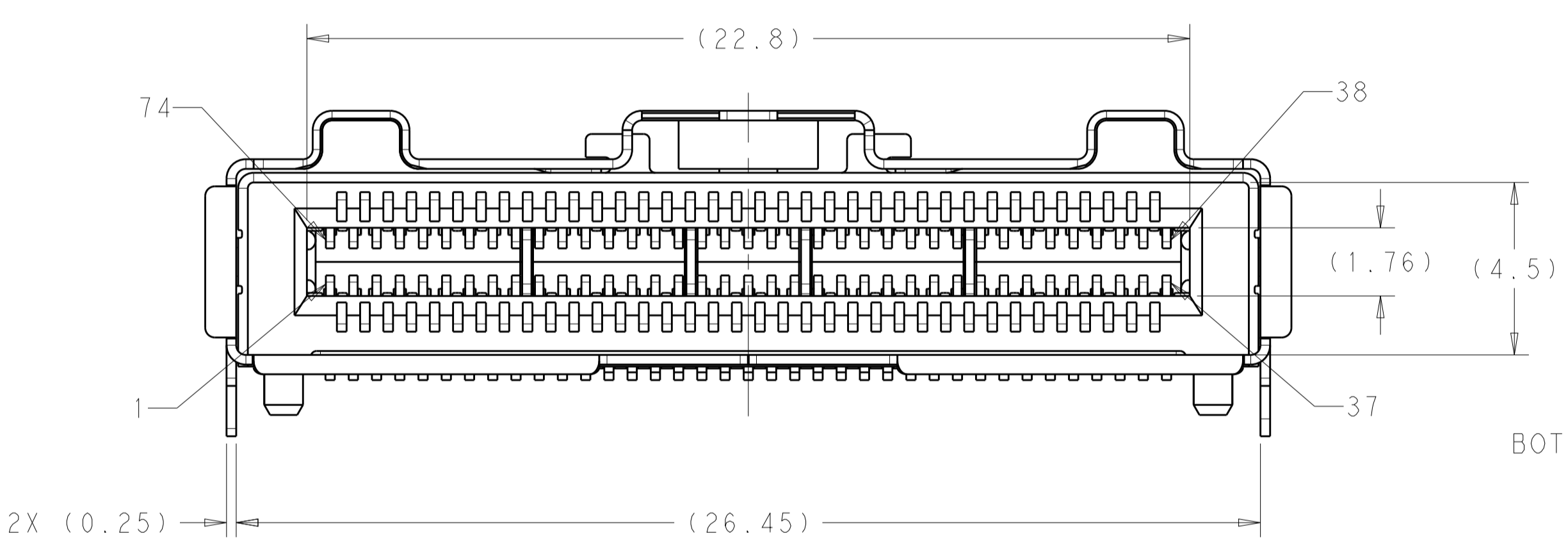


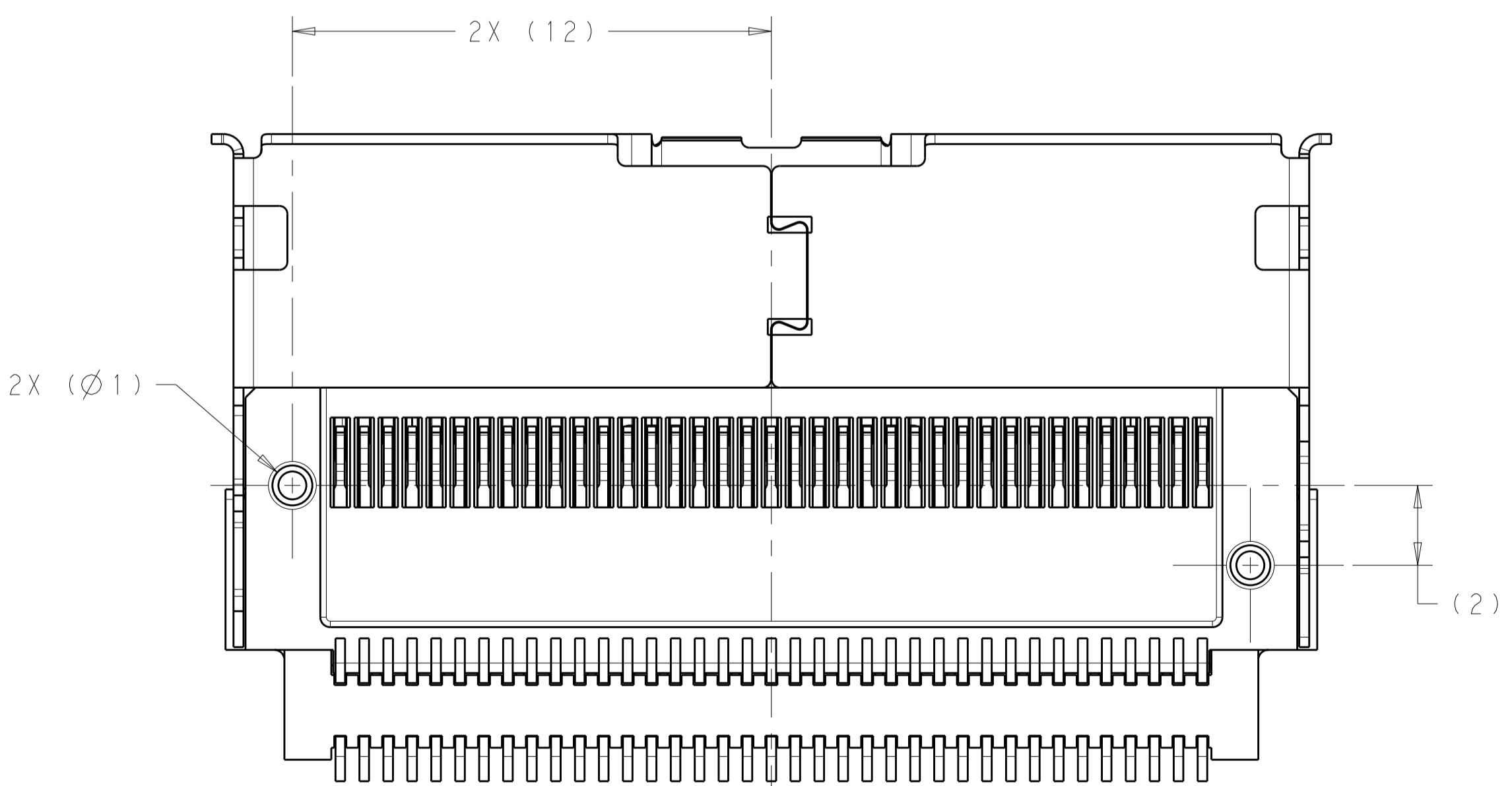
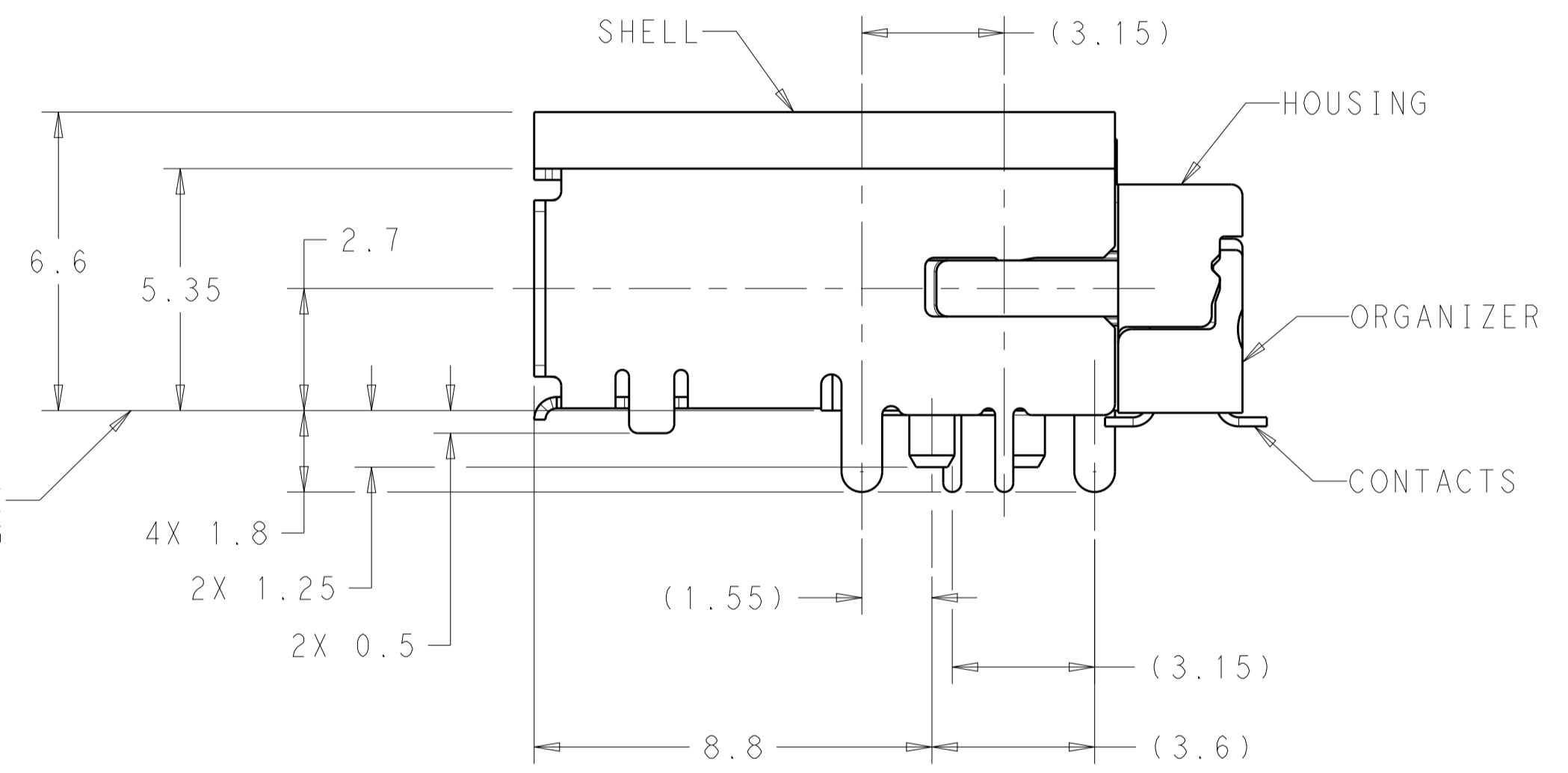
REVISIONS				
P.	LTN	DESCRIPTION	DATE	APVD
A		RELEASED PER ECO-18-014439	12SEP2018	CJV EDB



- 1 HOUSING, ORGANIZER AND CONTACT OVERMOLD: LCP, BLACK.
CONTACTS: COPPER ALLOY.
SHELL: COPPER ALLOY, NICKEL PLATED. TIN PLATED ON HOLD DOWNS.
- 2 GOLD PLATED ON MATING INTERFACE. TIN PLATED ON SOLDER TAILS.
- 3 DATUM AND BASIC DIMENSION ESTABLISHED BY CUSTOMER.
- 4. MINIMUM PC BOARD THICKNESS:
SINGLE SIDED = 1.42 MIN.
DOUBLE SIDED = 2 MIN.
- 5 RECOMMENDED COMPONENT KEEP OUT AREA.
- 6 RECOMMENDED COMPONENT AND TRACES KEEP OUT AREA.
- 7 TE CONNECTIVITY LOGO MARKED IN APPROXIMATE AREA SHOWN.
- 8 PART NUMBER AND DATE CODE MARKED IN APPROXIMATE AREA SHOWN.



BOTTOM OF RECEPTACLE HOUSING



2324734-1
PART NUMBER

THIS DRAWING IS A CONTROLLED DOCUMENT.		DWN: M. SHIRK 07SEP2017	TE Connectivity
		CHK: M. PHILLIPS 07SEP2017	
DIMENSIONS:		APVD: -	NAME: RECEPTACLE CONNECTOR, WITH RAILS, RIGHT ANGLE, 74 POSITION, SLIVER
mm	0 PLC ±0.15	PRODUCT SPEC: -	SIZE: A1
	1 PLC ±0.15	APPLICATION SPEC: -	CAGE CODE: -
	2 PLC ±0.15	WEIGHT: -	DRAWING NO: C=2324734
	3 PLC ±0.15	CUSTOMER DRAWING	SCALE: 8:1
	4 PLC ±0.15		SHEET 1 OF 2
	ANGLES ±0.15		REV A
MATERIAL: 1	FINISH: 2		

X-ON Electronics

Largest Supplier of Electrical and Electronic Components

Click to view similar products for [Board to Board & Mezzanine Connectors](#) category:

Click to view products by [TE Connectivity](#) manufacturer:

Other Similar products are found below :

[589158040000018](#) [MDF7C-18P-2.54DSA\(55\)](#) [FCN-230C068-11](#) [FCN-268F012-G/BD](#) [FCN-268F036-G/BD](#) [FCN-268M012-G/0D](#) [FCN-268M024-G/1D](#) [FCN-723J004/1](#) [MIS-048-01-F-D-DP-K](#) [832-10-034-10-001000](#) [FX4C-80S-1.27DSA](#) [FCN-214Q030-G/0](#) [FCN-234P048-G/0](#) [FCN-235D050-G/C](#) [210-93-314-41-105000](#) [2-22603-0](#) [MDF7-40DP-2.54DSA\(55\)](#) [AXG720047](#) [5031084030](#) [MIT-114-03-F-D-K](#) [55323-1519](#) [DF33-2P-3.3DSA\(24\)](#) [YFT-20-05-H-03-SB-K](#) [503308-3040](#) [026-6203-PDB](#) [027-6203-PDB](#) [069159702701000](#) [10123981-102LF](#) [101A10019X](#) [55650-0588-C](#) [68684-306](#) [75140-7012](#) [589159005003045](#) [194261-1](#) [FCN-268F024-G0D](#) [10124054-515LF](#) [68685-603](#) [8-1616154-3](#) [MIS-019-01-F-D](#) [589159005002045](#) [541371078](#) [IL-WX-10PB-HF-B-E1000E](#) [FCN-268M024-G/3D](#) [20021832-06016C1LF](#) [KX15-20KLDL-E1000E](#) [MDF7-16DP-2.54DSA\(55\)](#) [AXE810124](#) [FCN-214J100-G/0](#) [FCN-230C068-E/S](#) [AXE812124](#)