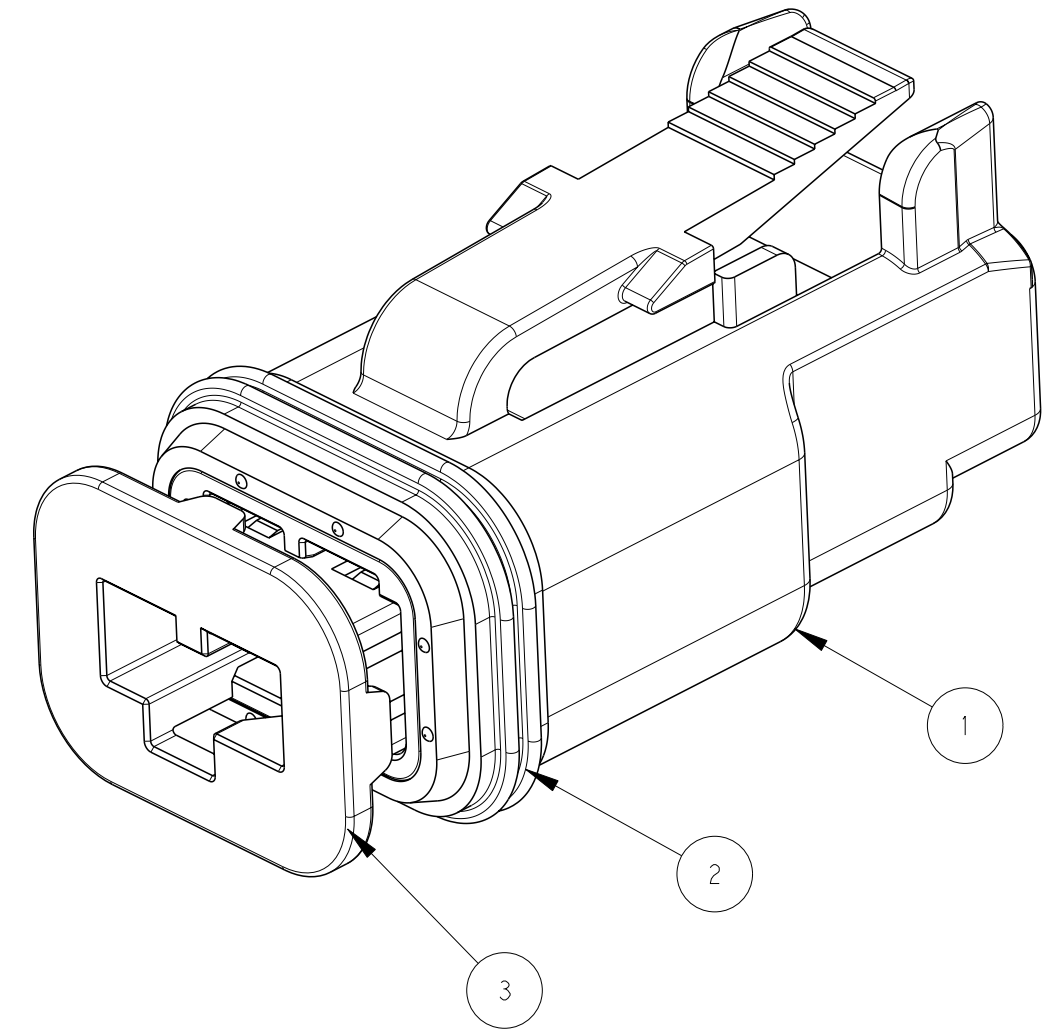
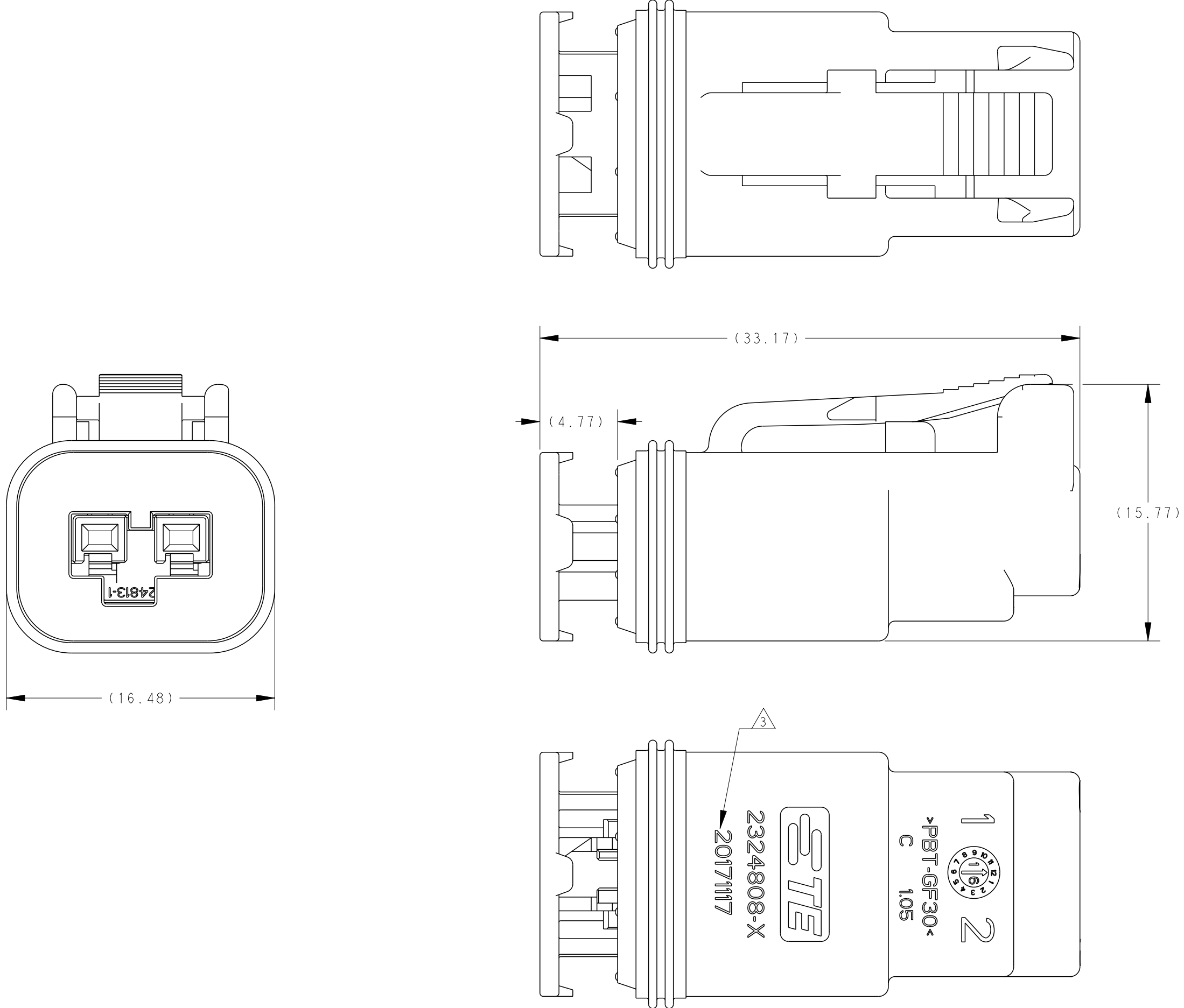


THIS DRAWING IS UNPUBLISHED. RELEASED FOR PUBLICATION  
 © COPYRIGHT copyright.d8te- ALL RIGHTS RESERVED.

REVISIONS					
P	LTR	DESCRIPTION	DATE	DWN	APVD
A3		ECR-19-007522	13NOV2019	V.T	E.J
A4		ECR-20-004141	18MAR2020	V.T	E.J
B		ECR-20-007431	15JUN2020	V.T	E.J
C		ECR-20-015257	01JUN2021	V.T	Z.Z



NOTES:

- PLUG 2324808-X MATES WITH 2327042-X RECEPTACLE (X=1, 2, 3 FOR RELEVANT CODE).  
 PLUG 2-2324808-X MATES WITH 2-2327042-X RECEPTACLE (X=1, 2, 3 FOR RELEVANT CODE).
- MATERIAL: HOUSING: PBT GF30,SEE TABLE FOR COLOR  
 TPA: PBT GF30, SEE TABLE FOR COLOR  
 FRONT SEAL: VMQ(ORANGE)
- DATE CODE: INDENTIFIES THE YEAR, MONTH, DAY AND HOUR OF ASSEMBLY.  
 YEAR: FIRST AND SECOND DIGITS(18=2018)  
 MONTH: THIRD DIGIT , EXCLUDING 1 , A=JAN, B=FEB, C=MARCH...(K=OCTOBER)  
 DAY: FOURTH AND FIFTH DIGITS(14=14th DAY)  
 HOUR: SIXTH AND SEVENTH DIGITS(11=11AM)
- PULL TPA TO PRE-LOCK BEFORE TERMINAL INSERTION IN CASE OF TPA BEING HIT TO END-LOCK POSITION.

5. APPLICABLE TERMINAL PART NUMBERS AND WIRE SIZE:

TERMINAL PN	TERMINAL PLATING	APPLICATION	WIRE SIZE (MM2)	INSULATION WIRES(MM)	SWS P/N	BLIND PLUG P/N
1418844-1	TIN	GENERAL (USCAR-2 V2)	0.35	Ø1.10-Ø1.40	963142-2	963143-1
1418844-3	SILVER	HIGH VIBRATION (USCAR-2 V3)				
1670146-1	TIN	GENERAL (USCAR-2 V2)	0.5~0.75	Ø1.40-Ø1.90	963142-1	963143-1
1670146-3	SILVER	HIGH VIBRATION (USCAR-2 V3)				
1418850-1	TIN	GENERAL (USCAR-2 V2)	1.0~1.5	Ø1.90-Ø2.40	963142-1	963143-1
1418850-3	SILVER	HIGH VIBRATION (USCAR-2 V3)				

CODING A	CODING B	CODING C
PN:2324808-1 (V0) 2-2324808-1 (HB)	PN:2324808-2 (V0) 2-2324808-2 (HB)	PN:2324808-3 (V0) 2-2324808-3 (HB)

1	1	1	1	1	1	COLOR	MATERIAL	DESCRIPTION	ITEM NO
						NATURAL	PBT-GF30	TPA, CODE C	3
						GREEN	PBT-GF30	TPA, CODE B	
						YELLOW	PBT-GF30	TPA, CODE A	2
						ORANGE	SILICONE	FRONT SEAL	
						GRAY	PBT-GF30	HOUSING	1
						BLACK	PBT-GF30		
QTY. REQUEST PER ASSY						COLOR	MATERIAL	DESCRIPTION	ITEM NO
4.8	4.8	4.8	5.3	5.3	5.3	WEIGHT OF EACH ASSY NO. (g)			
C	C	C	C	C	C	REVISION OF EACH ASSY NO.			
2-2324808-3 (HB)	2-2324808-2 (HB)	2-2324808-1 (HB)	2324808-3 (V0)	2324808-2 (V0)	2324808-1 (V0)	TE ASSEMBLY PN			

THIS DRAWING IS A CONTROLLED DOCUMENT.

DWN C. WAN 17JAN2018	TE Connectivity NAME SUPERSEAL PRO 2POS, PLUG ASSEMBLY MCON1.2, CB TERMINAL SIZE CAGE CODE DRAWING NO RESTRICTED TO A200779 C-2324808 SCALE 4:1 SHEET 1 OF 1 REV C
CHK E. JIANG 26FEB2018	
APVD J. YIN 02MAR2018	
PRODUCT SPEC 108-32189 APPLICATION SPEC 114-32258	
MATERIAL -	TOLERANCES UNLESS OTHERWISE SPECIFIED: 0 PLC ±- 1 PLC ±0.25 2 PLC ±0.15 3 PLC ±- 4 PLC ±- ANGLES ±- FINISH -
CUSTOMER DRAWING	

## X-ON Electronics

Largest Supplier of Electrical and Electronic Components

*Click to view similar products for [Automotive Connectors](#) category:*

*Click to view products by [TE Connectivity](#) manufacturer:*

Other Similar products are found below :

[003-018-000](#) [60403001](#) [60993906-B](#) [M902-2131](#) [M902-2161](#) [M902-2344](#) [72.330.1035.1](#) [73.353.4028.0](#) [F119300-B](#) [F166900](#) [F258300-B](#)  
[F358300-B](#) [F407400](#) [F444110](#) [F487000](#) [F509500B-B](#) [827153-1](#) [8N1515-32-24P](#) [9-1326729-8](#) [925474-1](#) [928905-1](#) [964562-4](#) [968782-1](#)  
[GT17SA-8DS-HU](#) [98891-1012](#) [98947-1016](#) [12004147](#) [12004475-L](#) [12010290](#) [12010309-B](#) [12015454](#) [12020219-B](#) [12041318-B](#) [12052225-](#)  
[L](#) [12052466](#) [12064869](#) [12004327-B](#) [12015308](#) [12015384](#) [12015909](#) [1-21030-1](#) [12041254](#) [12041318](#) [12047946-B](#) [12047957](#) [12047957-L](#)  
[12059473](#) [12066261](#) [12110546](#) [12110546-B](#)