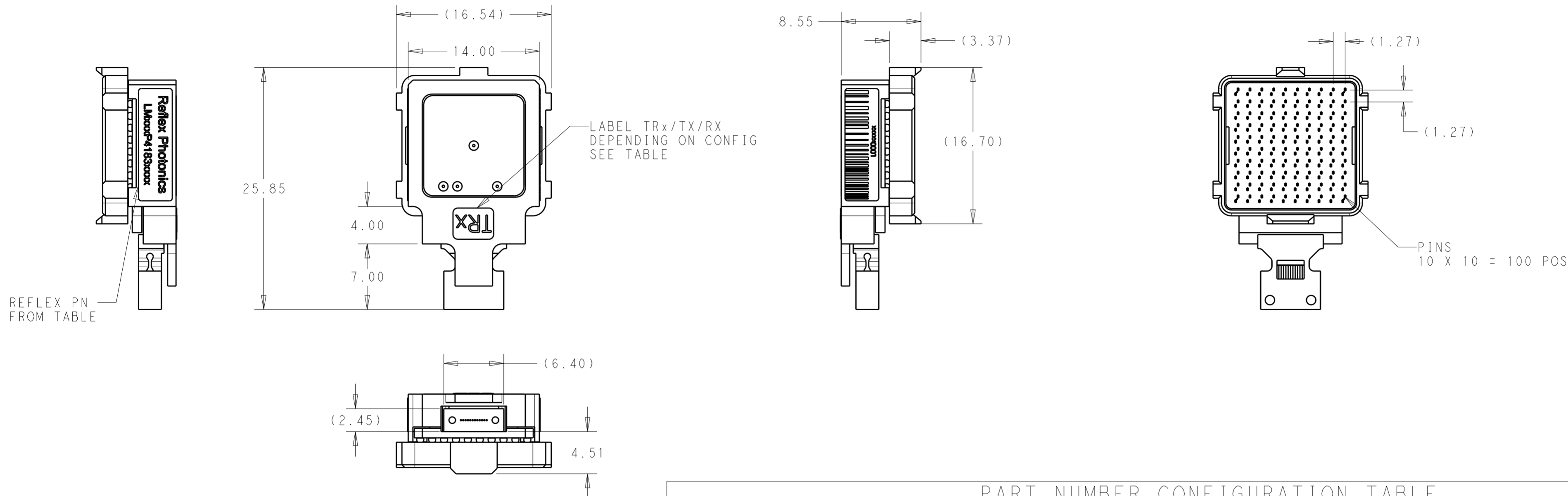


THIS DRAWING IS UNPUBLISHED. RELEASED FOR PUBLICATION
 © COPYRIGHT 2018 BY TE CONNECTIVITY ALL RIGHTS RESERVED.

REVISIONS					
P	LTR	DESCRIPTION	DATE	DWN	APVD
3		MISC CHANGES	21JUN2018	HBP	
4		ADDED FIBER LANE ASSIGNMENTS	25JUN2018	HBP	
A		RELEASED	10AUG2018	HBP	MB
A1		OBSOLETE PNs	23JUL2019	BP	BP

PLUGGABLE MODULE DIMENSIONS:



OBSOLETE

OBSOLETE

OBSOLETE

OBSOLETE

OBSOLETE

PART NUMBER CONFIGURATION TABLE						
TE PN	REFLEX PN	DESCRIPTION	MOUNTING	PLATING	SENS	LAUNCH POWER
2324827-1	LMX04P4182321AA	4x4 CHANNEL TRx MODULE	SMT	Tin/Lead	-9.0 dBm	-1.5 to 3.5 dBm
2324827-2	--	4x4 CHANNEL TRx MODULE	SMT	RoHS	-9.0 dBm	-1.5 to 3.5 dBm
2324827-3	LMX04P4182323AA	4x4 CHANNEL TRx MODULE	SMT	Tin/Lead	-12.0 dBm	-1.5 to 3.5 dBm
2324827-4	--	4x4 CHANNEL TRx MODULE	SMT	RoHS	-12.0 dBm	-1.5 to 3.5 dBm
2324827-5	LMX04P4183323AA	4x4 CHANNEL TRx MODULE	PLUGGABLE	RoHS	-12.0 dBm	-1.5 to 3.5 dBm
2324827-6	LMX04P4183321AA	4x4 CHANNEL TRx MODULE	PLUGGABLE	RoHS	-9.0 dBm	-1.5 to 3.5 dBm
2330889-1	--	12 CHANNEL RX MODULE	SMT	RoHS	-12.0 dBm	--
2330889-2	LMR12P4182303AA	12 CHANNEL RX MODULE	SMT	Leaded	-12.0 dBm	--
2330889-3	LMR12P4183303AA	12 CHANNEL RX MODULE	PLUGGABLE	RoHS	-12.0 dBm	--
2330885-1	--	12 CHANNEL TX MODULE	SMT	RoHS	--	-5 to -1 dBm
2330885-2	--	12 CHANNEL TX MODULE	SMT	RoHS	--	-2 to 4 dBm
2330885-3	LMT12P4182310AA	12 CHANNEL TX MODULE	SMT	Leaded	--	-5 to -1 dBm
2330885-4	LMT12P4182330AA	12 CHANNEL TX MODULE	SMT	Leaded	--	-2 to 4 dBm
2330885-5	LMT12P4183310AA	12 CHANNEL TX MODULE	PLUGGABLE	RoHS	--	-5 to -1 dBm
2330885-6	LMT12P4183330AA	12 CHANNEL TX MODULE	PLUGGABLE	RoHS	--	-2 to 4 dBm

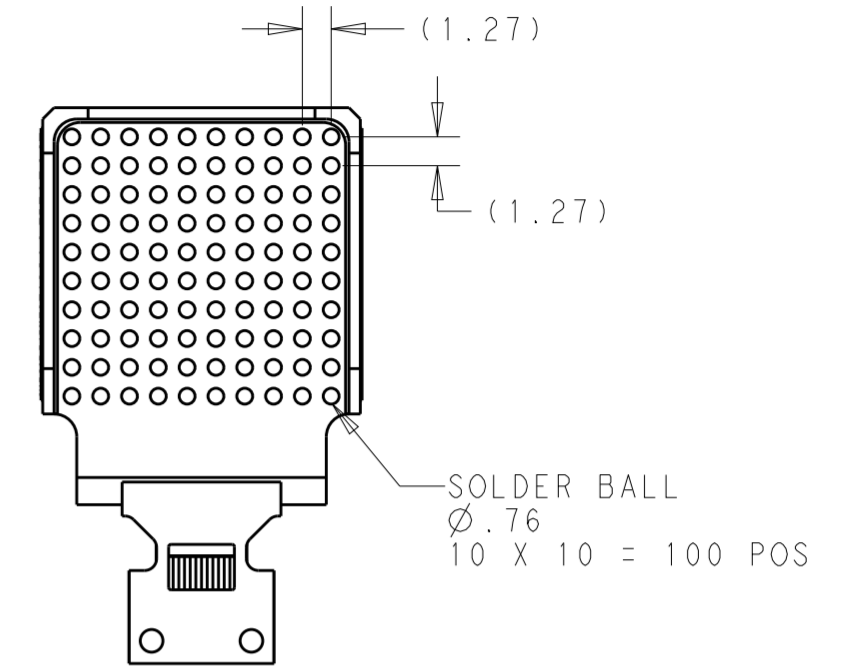
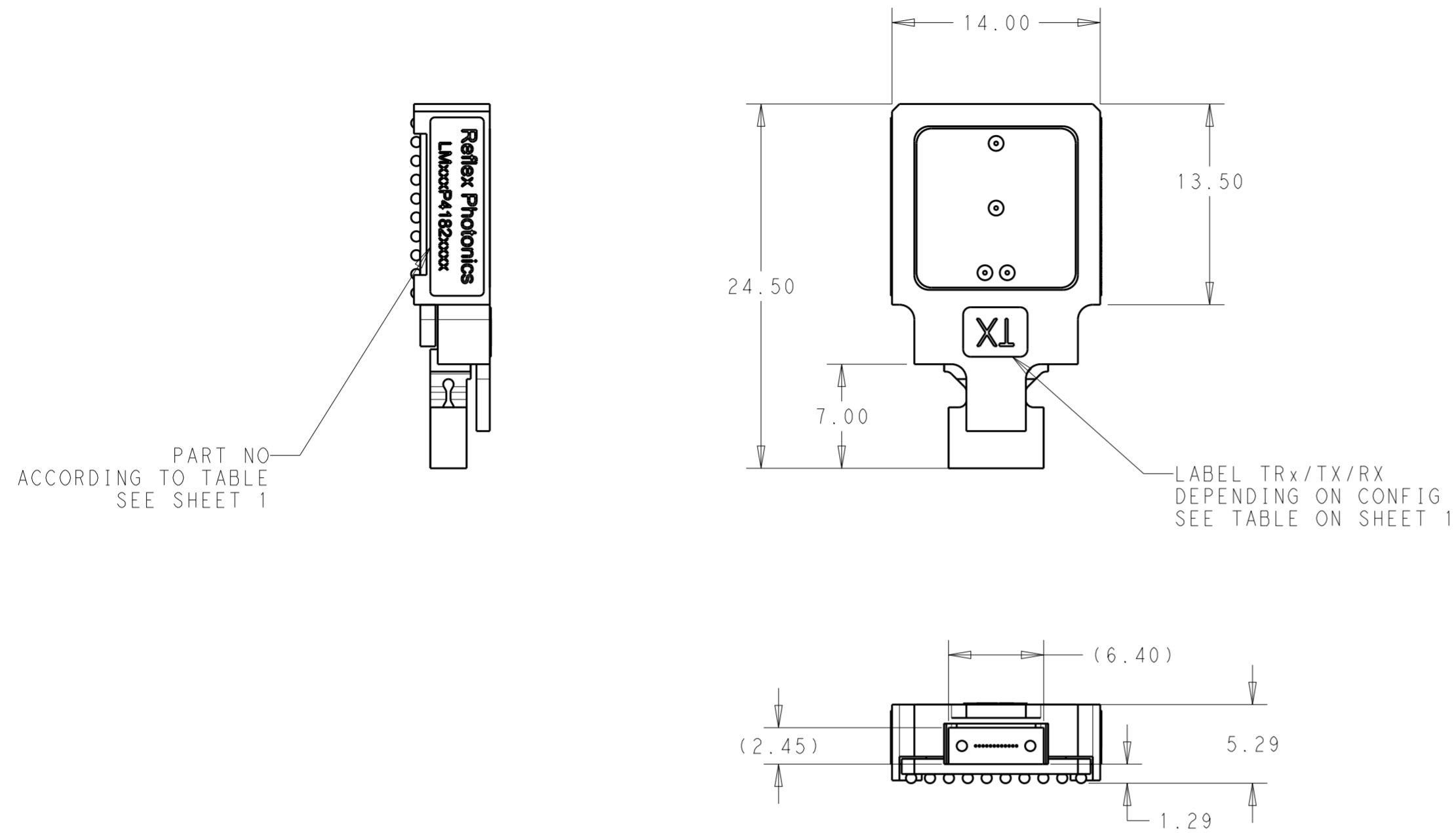
1. EACH MODULE PART NUMBER IS SUPPLIED WITH
 QTY 1 MICROCLIP 2333569-1
 QTY 1 MT PIN HOLDER 2336235-1

THIS DRAWING IS A CONTROLLED DOCUMENT.		DWN B. PIPER 24APR2018	TE Connectivity	
DIMENSIONS: mm		CHK -		
TOLERANCES UNLESS OTHERWISE SPECIFIED:		APVD B. PIPER 24APR2018	NAME OPTICAL MODULE, TRx/TX/RX	
0 PLC ±		PRODUCT SPEC	10 Gbps, IND TEMP	
1 PLC ±		APPLICATION SPEC	SIZE	CAGE CODE
2 PLC ±0.10		WEIGHT	A2	00779
3 PLC ±		CUSTOMER DRAWING	DRAWING NO C-2324827	
4 PLC ±		SCALE	3:1	
ANGLES ±		SHEET	1 OF 3	
FINISH		REV	A1	

THIS DRAWING IS UNPUBLISHED. RELEASED FOR PUBLICATION
© COPYRIGHT 2018 BY TE CONNECTIVITY ALL RIGHTS RESERVED.

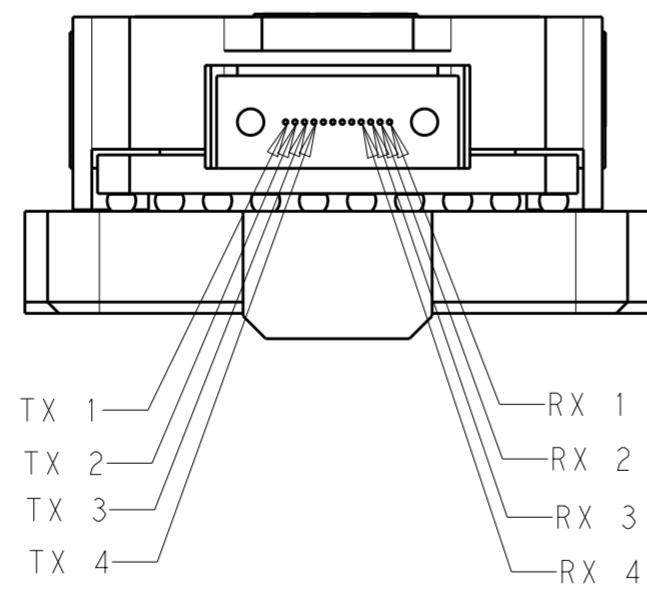
REVISIONS				
P	LTR	DESCRIPTION	DATE	APVD
		SEE SHEET 1		

SURFACE MOUNT (SMT) MODULE DIMENSIONS:

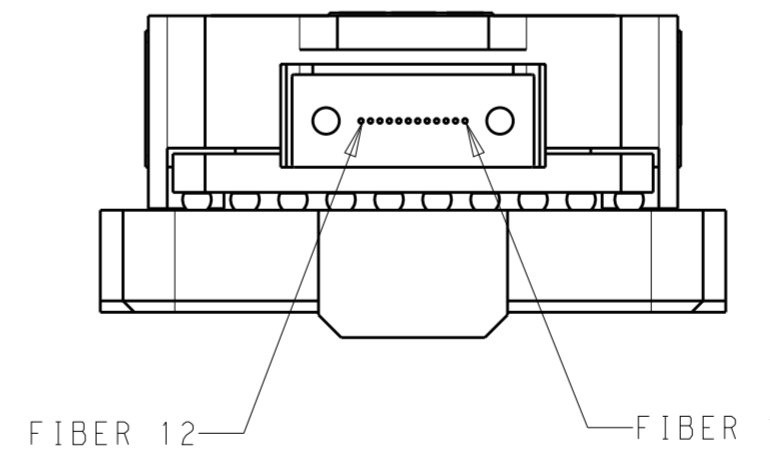


OPTICAL INTERFACE LANE ASSIGNMENTS

4X4 CHANNEL TRANSCEIVER (TRx) OPTICAL INTERFACE



12 CHANNEL RECEIVER/TRANSMITTER (RX/TX) OPTICAL INTERFACE



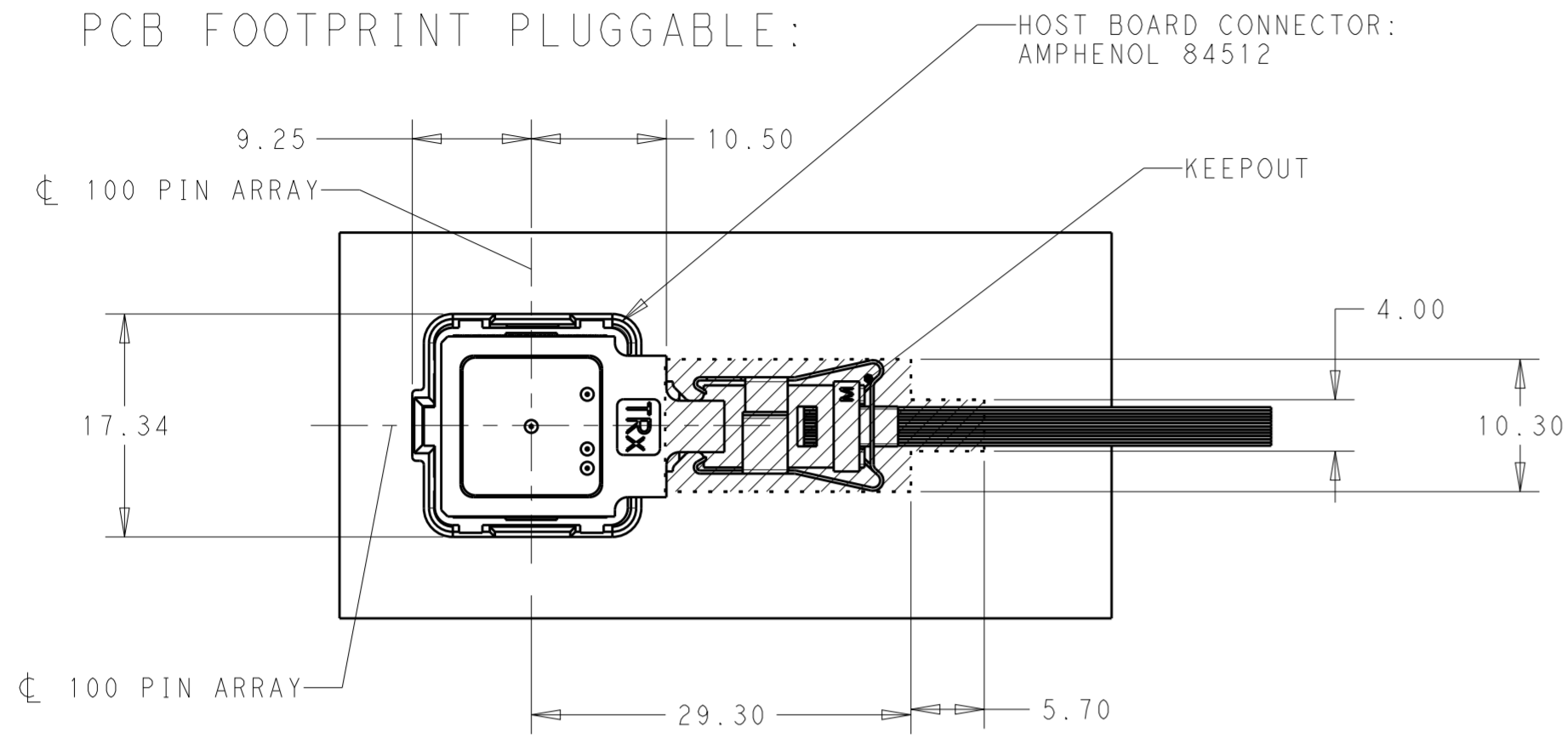
NOTE: MIDDLE 4 LANES ARE UNUSED FOR 4X4 TRANSCEIVER

THIS DRAWING IS A CONTROLLED DOCUMENT.		DWN B. PIPER 24APR2018	TE Connectivity	
		CHK -		
DIMENSIONS: mm		APVD B. PIPER 24APR2018	NAME OPTICAL MODULE, TRx/TX/RX 10 Gbps, IND TEMP	
TOLERANCES UNLESS OTHERWISE SPECIFIED: 0 PLC ± 1 PLC ± 2 PLC ±0.10 3 PLC ± 4 PLC ± ANGLES ± FINISH		PRODUCT SPEC -	SIZE A200779	
MATERIAL SEE TABLE		APPLICATION SPEC -	CAGE CODE C-2324827	
		WEIGHT -	DRAWING NO -	
		CUSTOMER DRAWING	RESTRICTED TO	
		SCALE 3:1	SHEET 2 OF 3 REV A1	

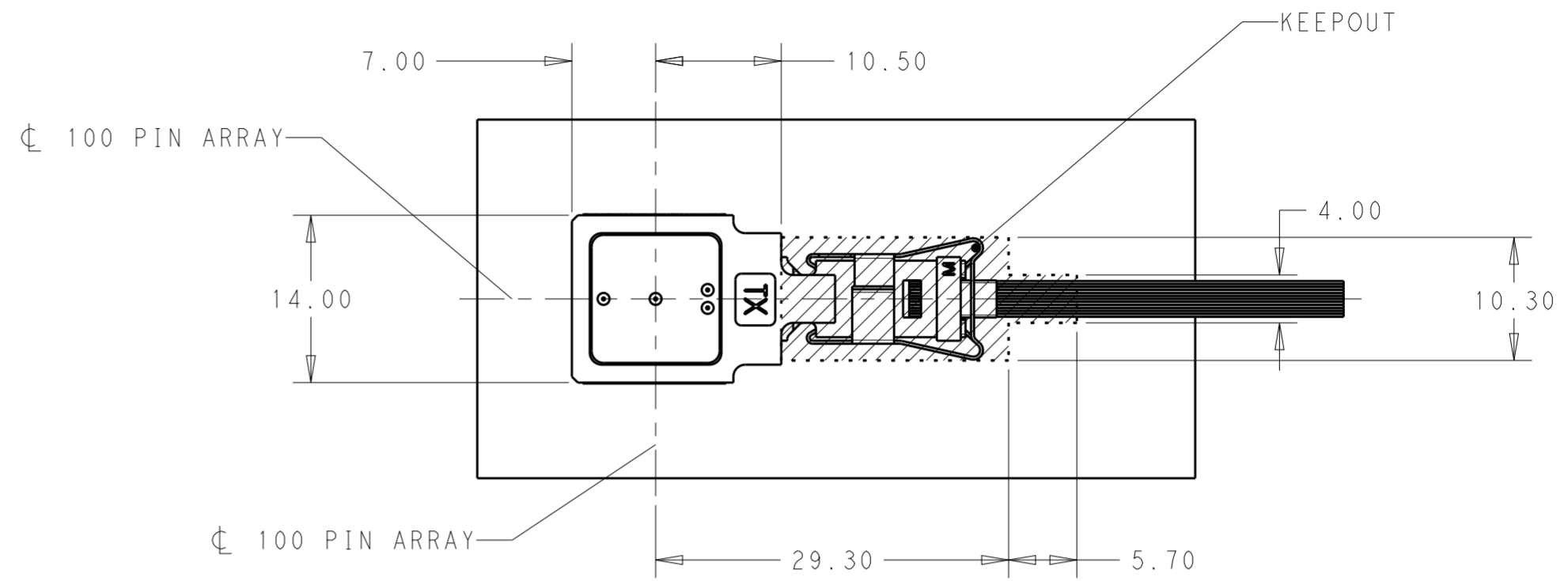
THIS DRAWING IS UNPUBLISHED. RELEASED FOR PUBLICATION
 © COPYRIGHT 2018 BY TE CONNECTIVITY ALL RIGHTS RESERVED.

REVISIONS				
P	LTR	DESCRIPTION	DATE	APVD
		SEE SHEET 1		

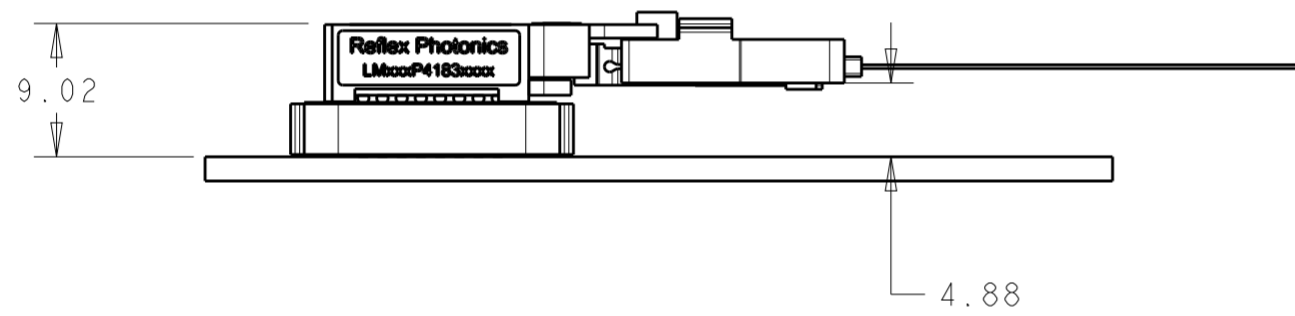
PCB FOOTPRINT PLUGGABLE:



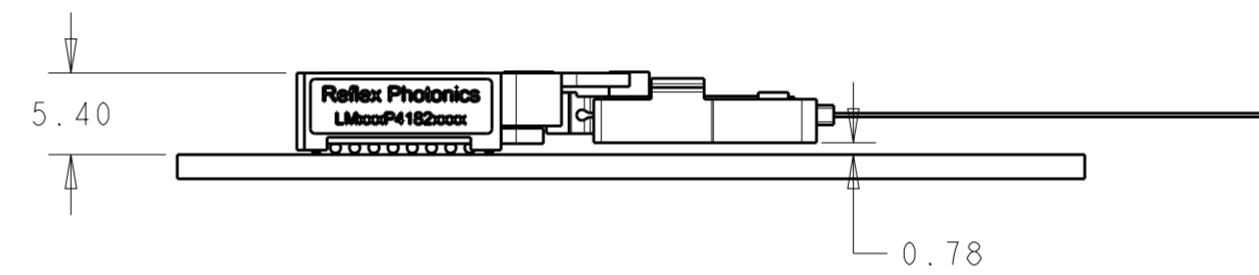
PCB FOOTPRINT SMT:



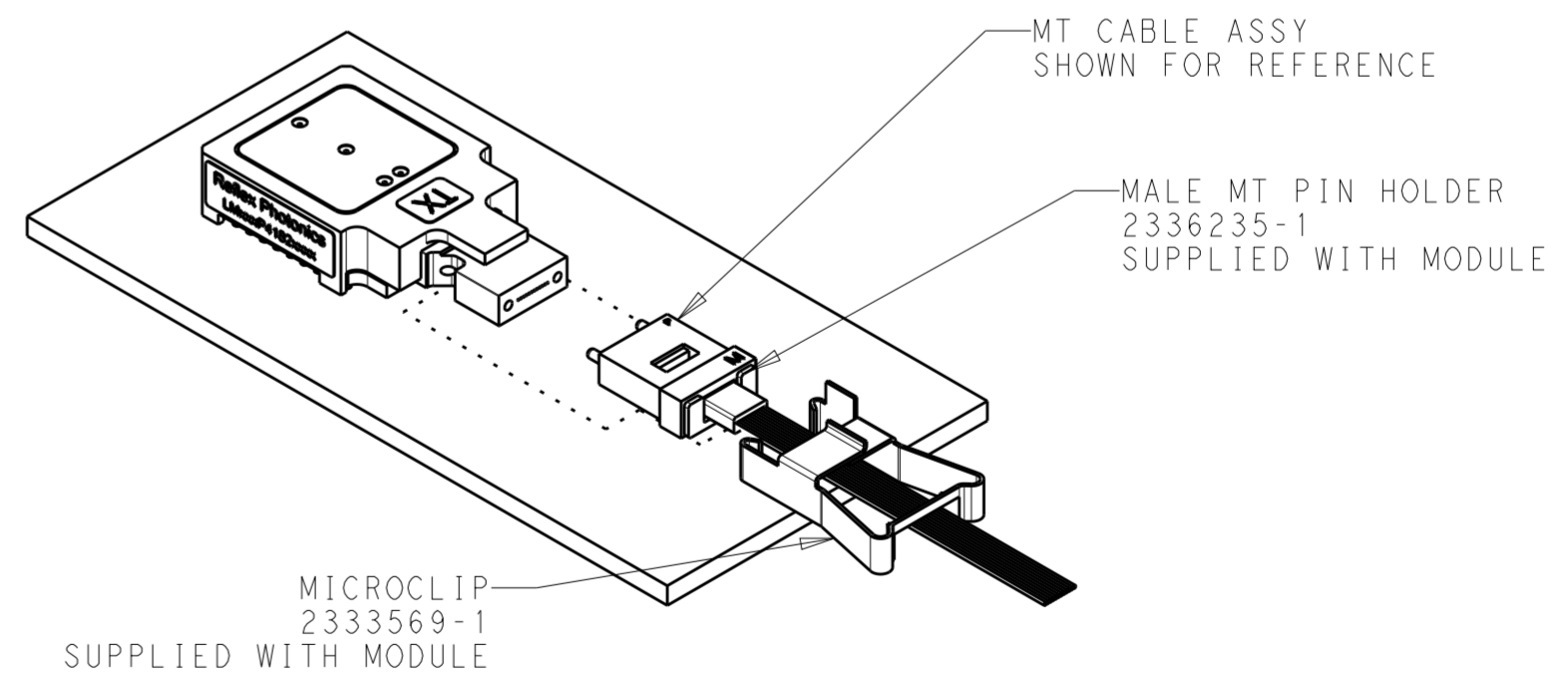
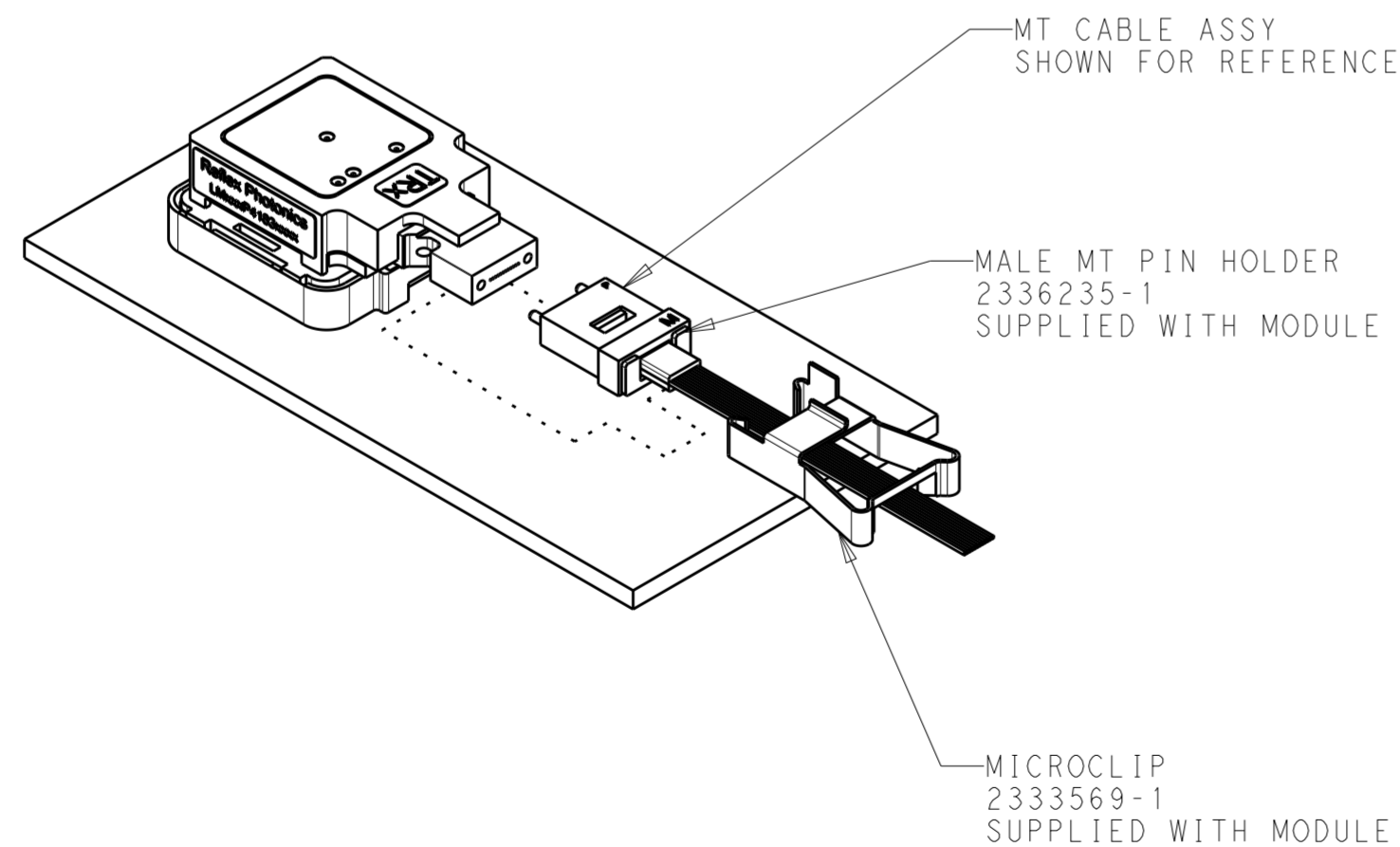
INSTALLED HEIGHT PLUGGABLE:



INSTALLED HEIGHT SMT:



EXPLODED ASSMBLY:



THIS DRAWING IS A CONTROLLED DOCUMENT.		DWN B. PIPER 24APR2018	TE Connectivity															
DIMENSIONS: mm		CHK -																
TOLERANCES UNLESS OTHERWISE SPECIFIED:		APVD B. PIPER 24APR2018	NAME OPTICAL MODULE, TRx/TX/RX 10 Gbps, IND TEMP															
<table border="1"> <tr><td>0 PLC</td><td>±</td></tr> <tr><td>1 PLC</td><td>±</td></tr> <tr><td>2 PLC</td><td>±0.10</td></tr> <tr><td>3 PLC</td><td>±</td></tr> <tr><td>4 PLC</td><td>±</td></tr> <tr><td>ANGLES</td><td>±</td></tr> <tr><td>FINISH</td><td>-</td></tr> </table>		0 PLC	±	1 PLC	±	2 PLC	±0.10	3 PLC	±	4 PLC	±	ANGLES	±	FINISH	-	PRODUCT SPEC -	SIZE CAGE CODE DRAWING NO RESTRICTED TO	
0 PLC	±																	
1 PLC	±																	
2 PLC	±0.10																	
3 PLC	±																	
4 PLC	±																	
ANGLES	±																	
FINISH	-																	
MATERIAL SEE TABLE		APPLICATION SPEC -	A200779 C-2324827															
		WEIGHT -	SCALE 3:1 SHEET 3 OF 3 REV A1															
		CUSTOMER DRAWING																

X-ON Electronics

Largest Supplier of Electrical and Electronic Components

Click to view similar products for [Fibre Optic Transmitters, Receivers, Transceivers](#) category:

Click to view products by [TE Connectivity](#) manufacturer:

Other Similar products are found below :

[HFBR-1532ETZ](#) [STV.2413-574-00262](#) [TRPRG1VA1C000E2G](#) [TOTX1350\(V,F\)](#) [FTLX3813M349](#) [SCN-1428SC](#) [LTK-ST11MB](#) [HFD8003-002/XBA](#) [HFD3020-500-ABA](#) [FTLF1429P3BCVA](#) [S6846](#) [SCN-2638SC](#) [FTL410QE4N](#) [FTLC9555FEPM](#) [TQS-QG4H9-J83](#) [SCN-1570SC](#) [SCN-1601SC](#) [SCN-1338SC](#) [SFPPT-SR3-01](#) [HFD8003-500-XBA](#) [SCN-1383SC](#) [2333569-1](#) [LNK-ST11HB-R6](#) [FTL4C1QL3L](#) [FTL4C1QE3L](#) [FTL4C1QL3C](#) [1019682](#) [1019683](#) [1019705](#) [HFBR-1415Z](#) [OPF693-2](#) [AFBR-5803ATQZ](#) [AFBR-5803ATZ](#) [PLR135/T9](#) [TGW-Q14BB-FCQ](#) [AFBR-5803AZ](#) [TQS-Q1LH8-XCA03](#) [TQS-Q1LH8-XCA05](#) [TQS-Q1LH8-XCA10](#) [TQS-Q1LH9-2CA](#) [HFBR-1414Z](#) [HFBR-1528Z](#) [HFBR-2406Z](#) [HFBR-2505AZ](#) [HFBR-1532Z](#) [HFBR-1531Z](#) [HFBR-1505AZ](#) [HFBR-1415TZ](#) [HFBR-1404Z](#) [PLT133/T10W](#)