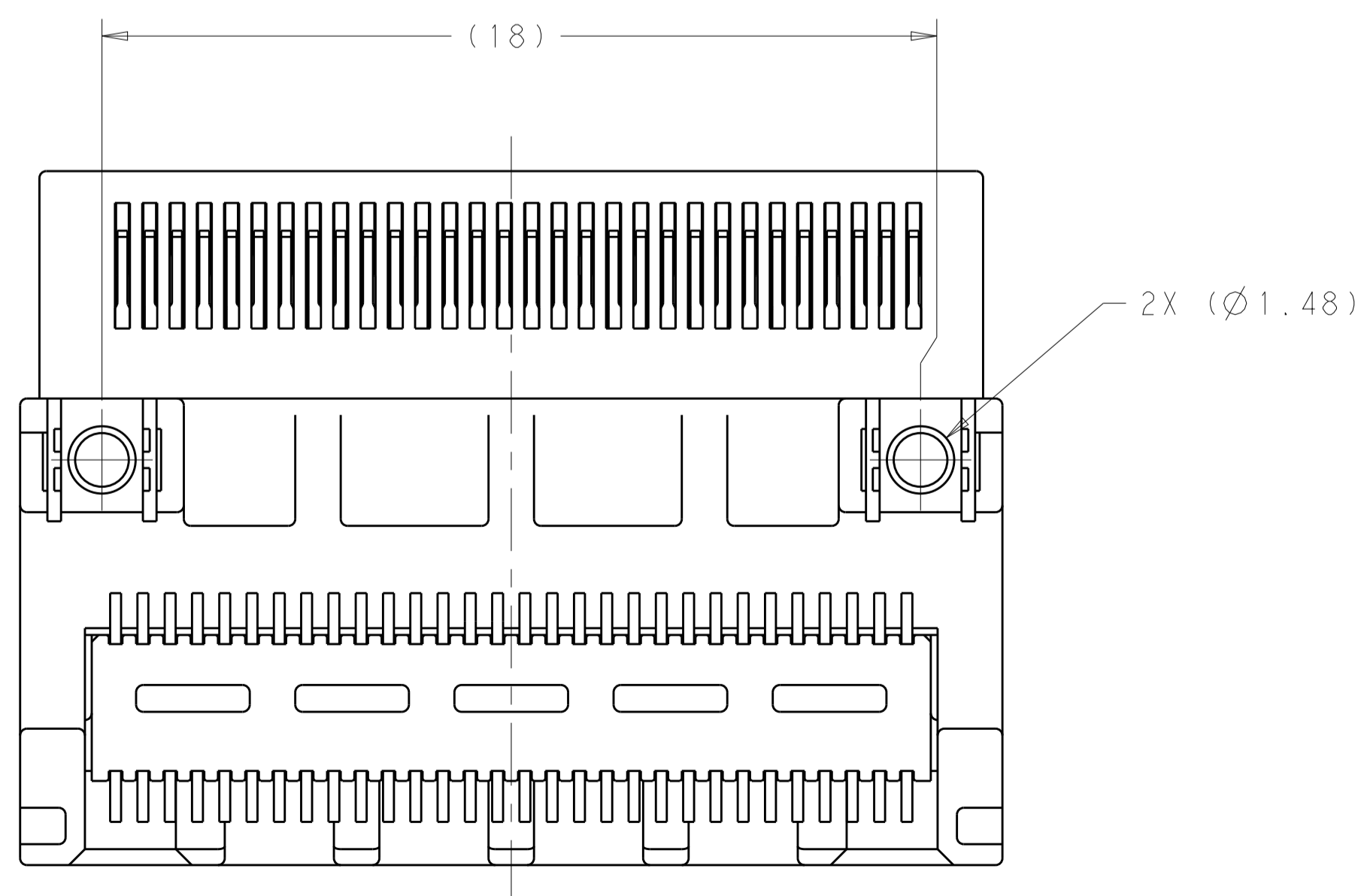
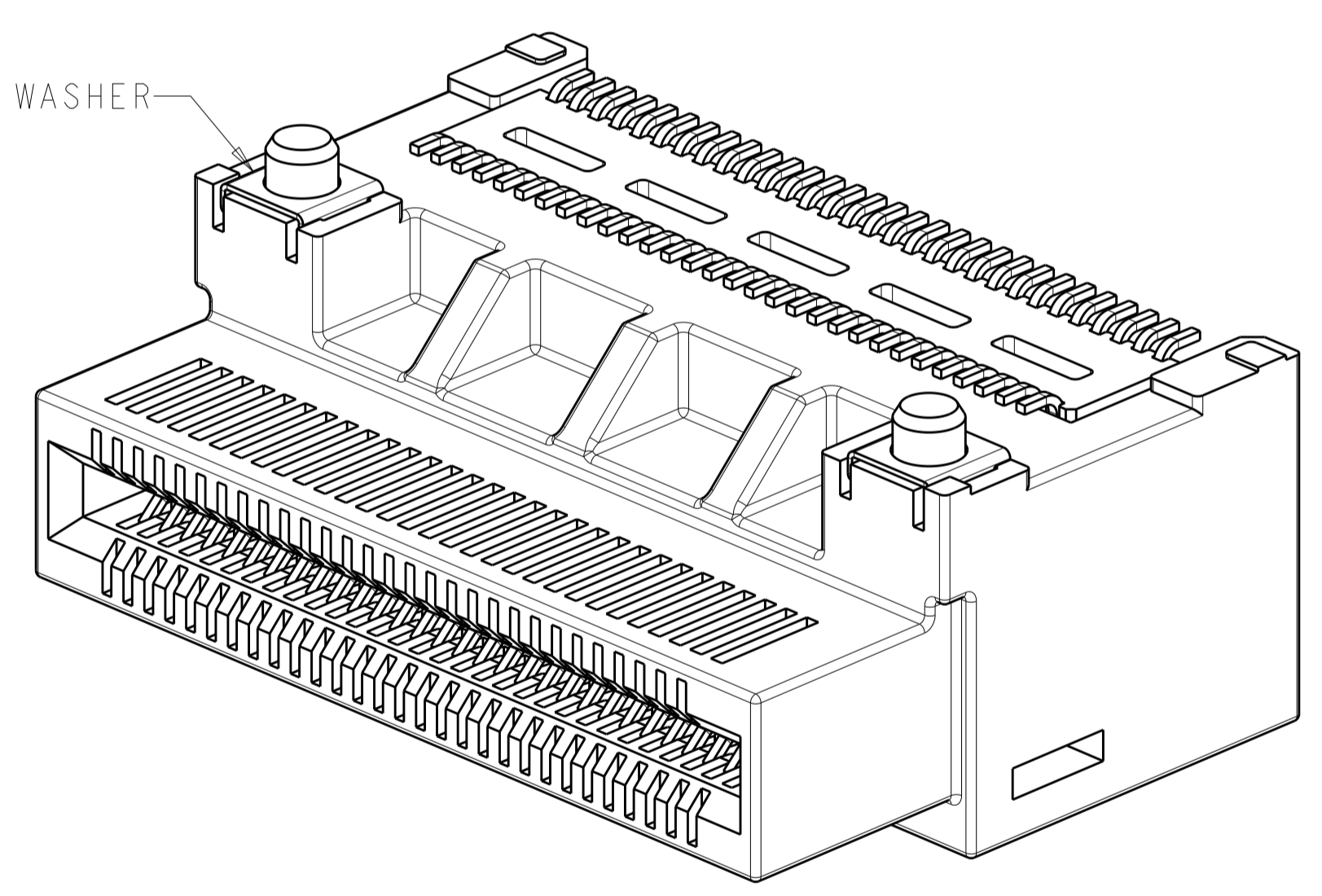
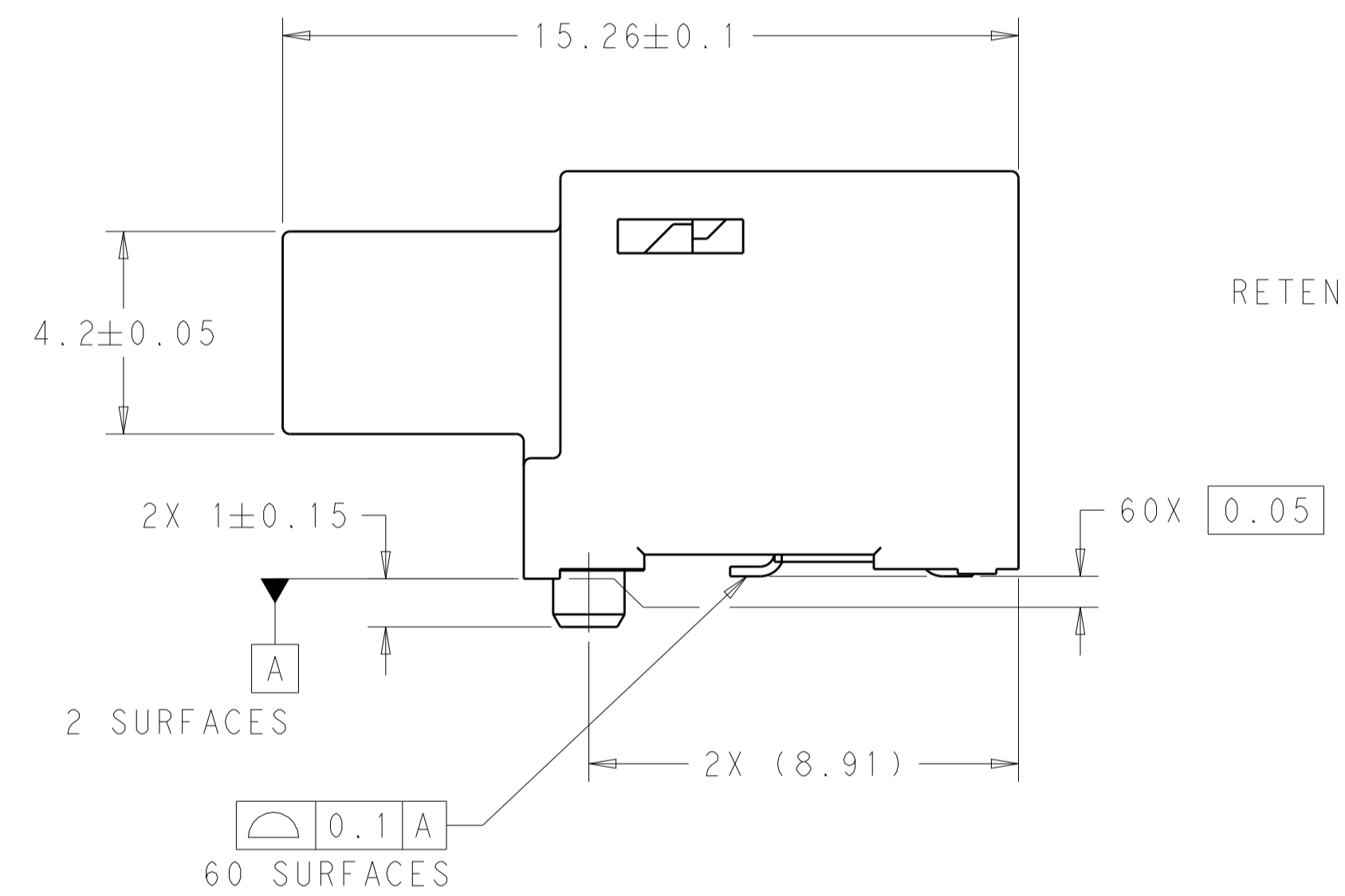
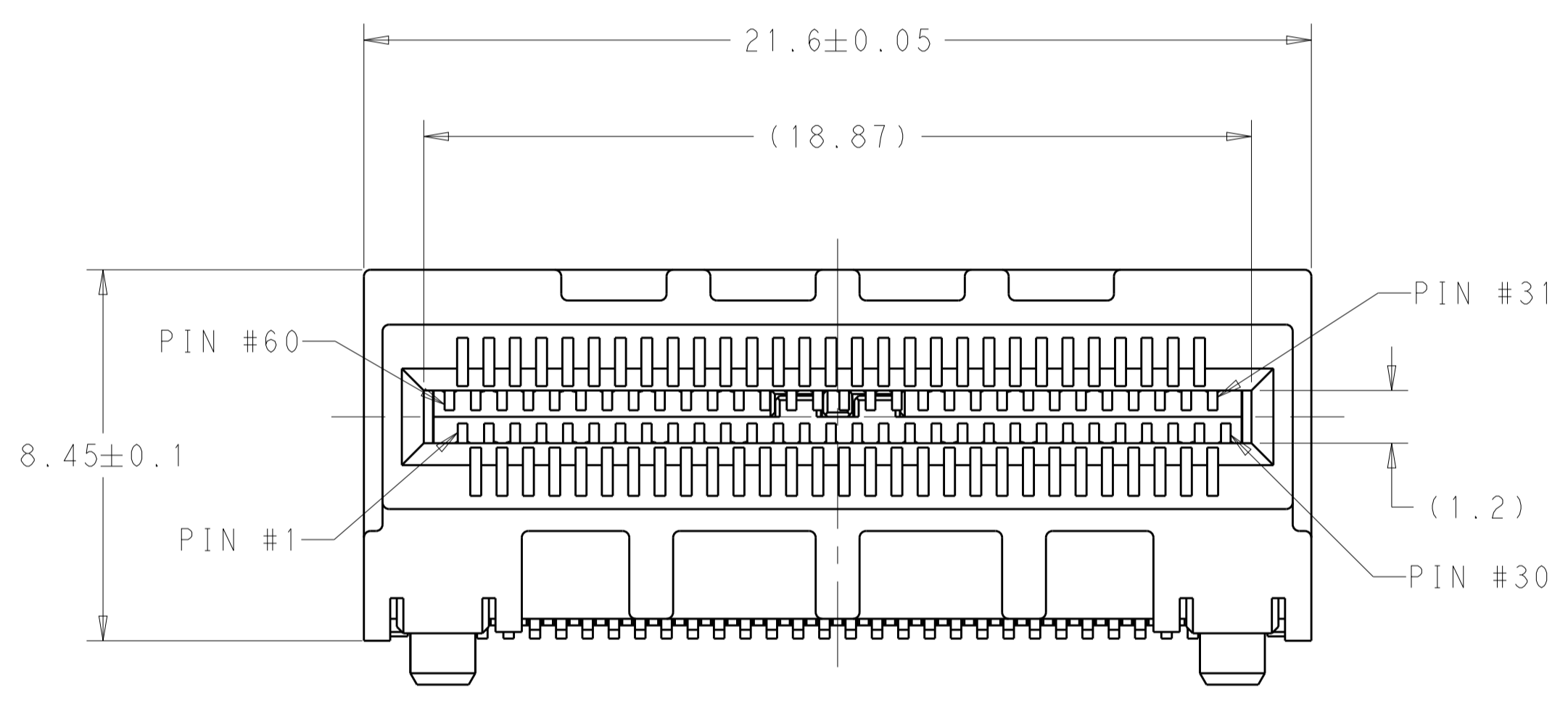
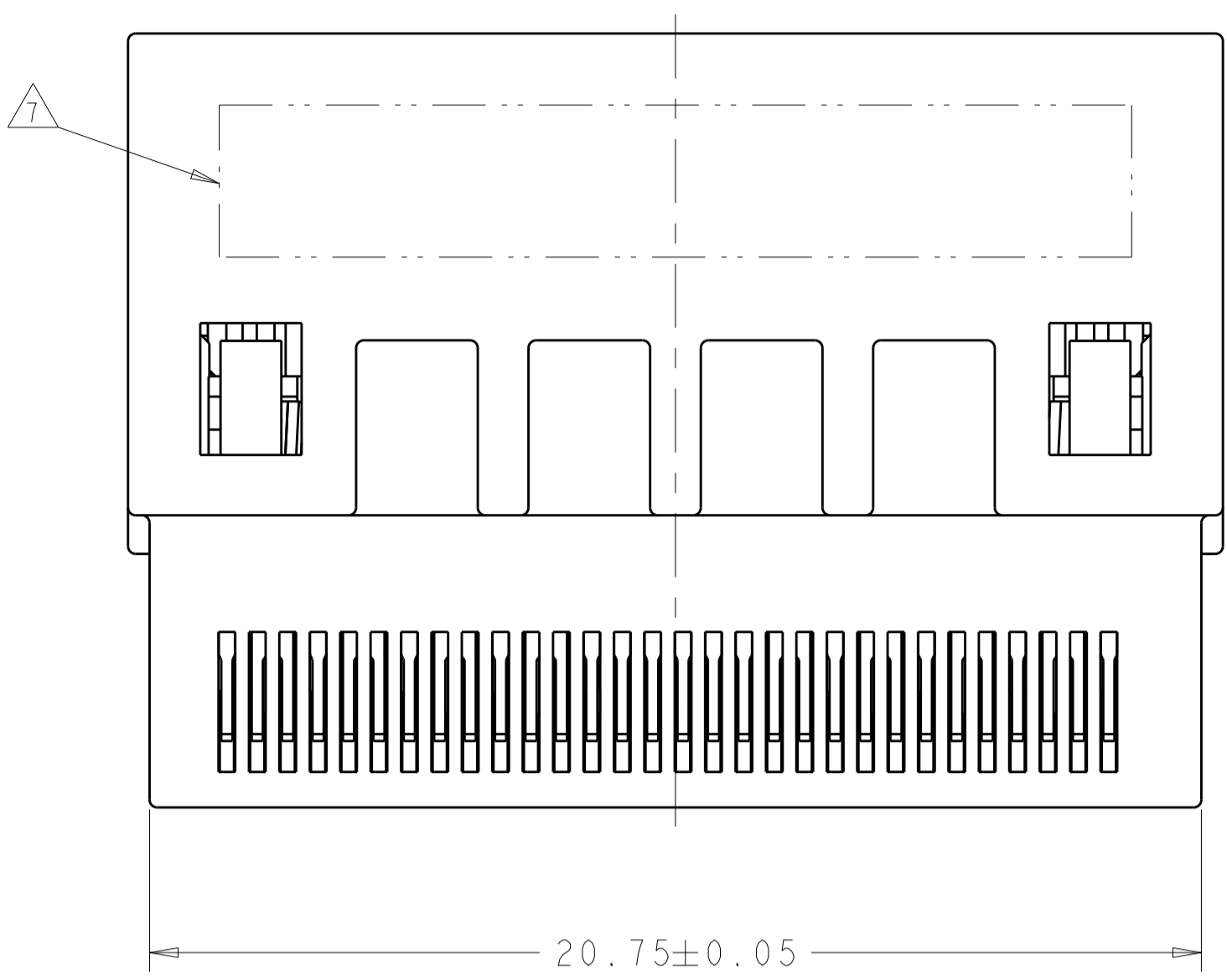


REVISIONS				
P.	LTN.	DESCRIPTION	DATE	APVD.
A		REVISED PER ECO-18-005007	23APR2018	AP EDB
A1		REVISED PER ECO-18-008361	29MAY2018	CJV EDB
C		REVISED PER ECO-18-017440	12NOV2018	CJV EDB
D		REVISED PER ECO-20-003207	21FEB2020	ES SH

PIN #	DESCRIPTION	PIN #	DESCRIPTION	PIN #	DESCRIPTION
1	SIGNAL GROUND	21	SIGNAL GROUND	41	SIGNAL
2	SIGNAL	22	SIGNAL	42	SIGNAL
3	SIGNAL	23	SIGNAL	43	SIGNAL GROUND
4	SIGNAL GROUND	24	SIGNAL GROUND	44	AUX
5	SIGNAL	25	SIGNAL	45	AUX
6	SIGNAL	26	SIGNAL	46	AUX
7	SIGNAL GROUND	27	SIGNAL GROUND	47	AUX
8	SIGNAL	28	SIGNAL	48	SIGNAL GROUND
9	SIGNAL	29	SIGNAL	49	SIGNAL
10	SIGNAL GROUND	30	SIGNAL GROUND	50	SIGNAL
11	SIGNAL	31	SIGNAL GROUND	51	SIGNAL GROUND
12	SIGNAL	32	SIGNAL	52	SIGNAL
13	SIGNAL GROUND	33	SIGNAL	53	SIGNAL
14	AUX	34	SIGNAL GROUND	54	SIGNAL GROUND
15	AUX	35	SIGNAL	55	SIGNAL
16	AUX	36	SIGNAL	56	SIGNAL
17	AUX	37	SIGNAL GROUND	57	SIGNAL GROUND
18	SIGNAL GROUND	38	SIGNAL	58	SIGNAL
19	SIGNAL	39	SIGNAL	59	SIGNAL
20	SIGNAL	40	SIGNAL GROUND	60	SIGNAL GROUND

- ① HOUSING, ORGANIZER AND CONTACT OVERMOLD: LCP, BLACK.  
CONTACTS: COPPER ALLOY.  
RETENTION WASHER: COPPER ALLOY.
- ② FINISH:  
CONTACT AREA: GOLD FLASH OVER PALLADIUM-NICKEL, 0.76um MIN TOTAL  
SOLDER AREA: TIN PLATED  
UNDERPLATING: 1.27um MIN NICKEL OVER ALL
- ③ DATUM AND BASIC DIMENSION ESTABLISHED BY CUSTOMER.
- 4. MINIMUM HOST BOARD THICKNESS:  
SINGLE SIDED - 1.44 MIN  
BELLY TO BELLY - 3 MIN
- ⑤ RECOMMENDED COMPONENT KEEP OUT AREA.
- ⑥ RECOMMENDED COMPONENT AND TRACES KEEP OUT AREA.
- ⑦ PART NUMBER AND DATE CODE MARKED IN APPROXIMATE AREA SHOWN.
- ⑧ OPTIONAL SOLDER RING FOR SURFACE MOUNT BELLY TO BELLY APPLICATION, 2 PLACES.
- ⑨ RECOMMENDED TRACE KEEPOUT AREA, 4 PLACES.
- ⑩ FINISH:  
CONTACT AREA: 0.76um MIN GOLD PLATING  
SOLDER AREA: TIN PLATED  
UNDERPLATING: 1.27um MIN NICKEL OVER ALL



FINISH	DESCRIPTION	PART NUMBER
①	WITH RETENTION WASHER	2324869-4
①	WITHOUT RETENTION WASHER	2324869-3
②	WITH RETENTION WASHER	2324869-2
②	WITHOUT RETENTION WASHER	2324869-1

THIS DRAWING IS A CONTROLLED DOCUMENT.

OWN: B. MATTHEWS 12SEP2017  
 CHG: E. BRIANT 12SEP2017  
 APVD: E. BRIANT 12SEP2017

DIMENSIONS: mm  
 TOLERANCES UNLESS OTHERWISE SPECIFIED:  
 0 PLC ±  
 1 PLC ±  
 2 PLC ±  
 3 PLC ±  
 4 PLC ±  
 ANGLES ±  
 FINISH ±

MATERIAL: ①

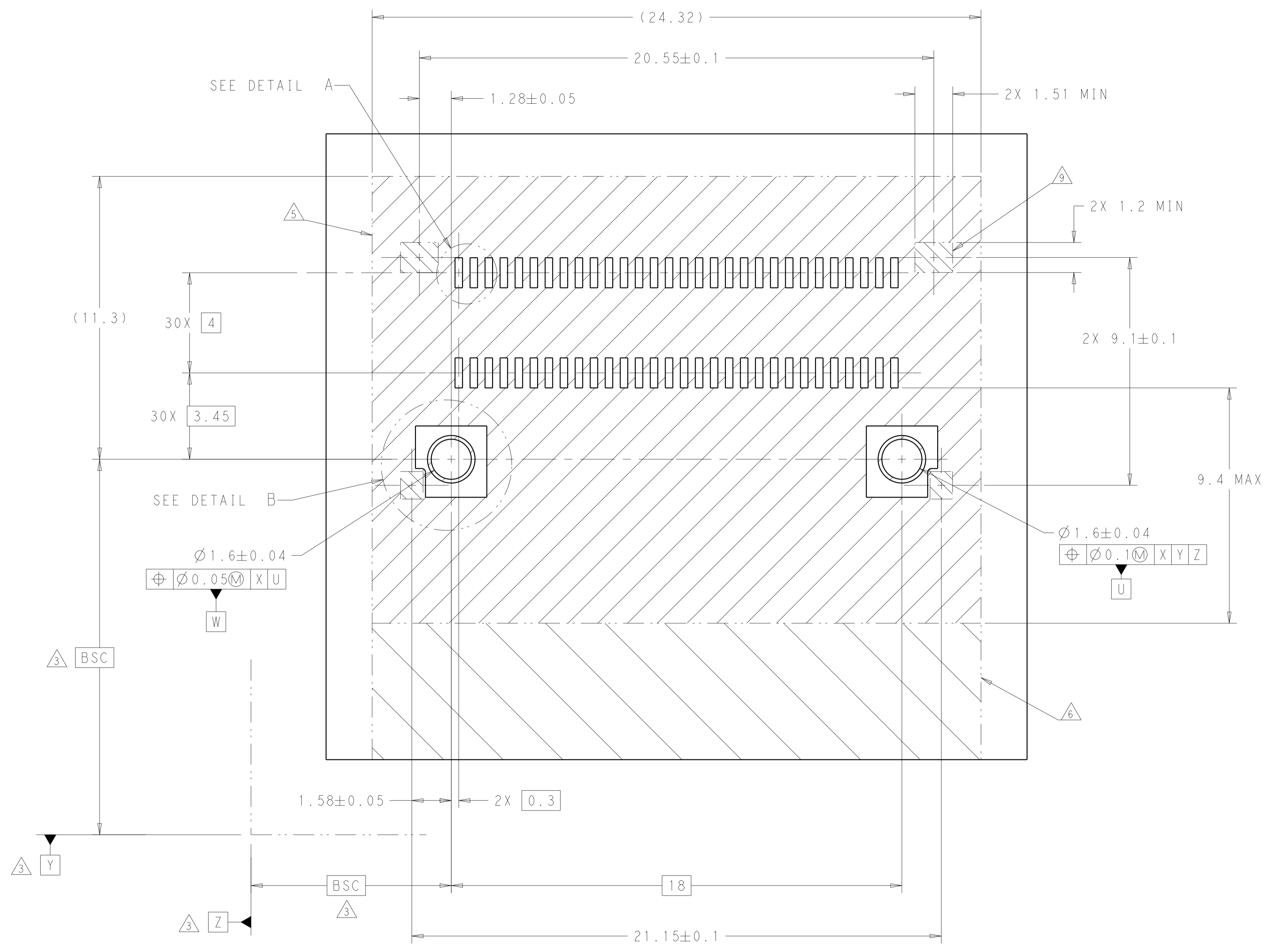
PRODUCT SPEC: 108-130011  
 APPLICATION SPEC: 114-130006  
 WEIGHT: -

CUSTOMER DRAWING

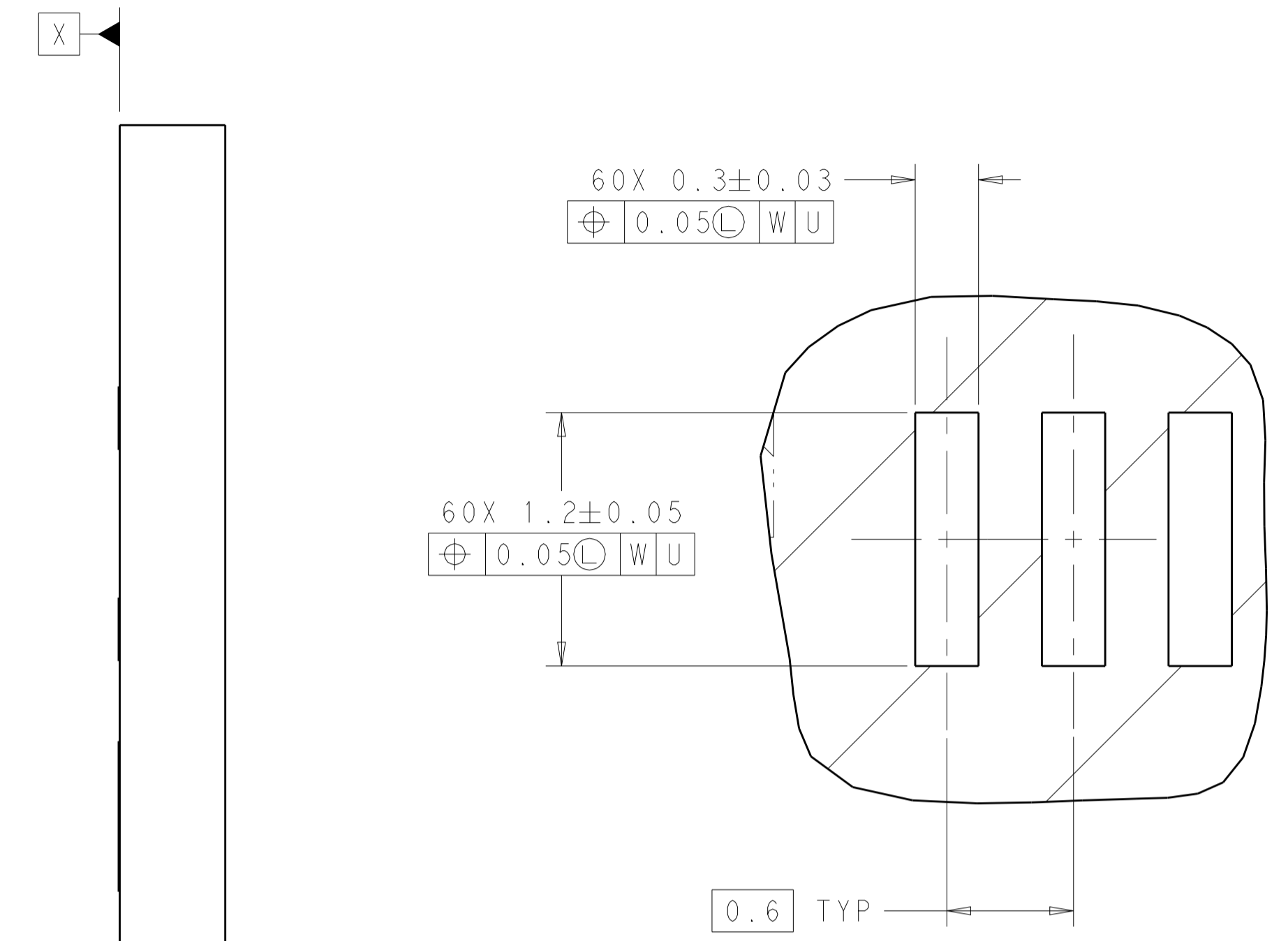
NAME: CONNECTOR ASSEMBLY, SMT, OSFP  
 SIZE: A1  
 CAGE CODE: -  
 DRAWING NO: 2324869  
 SCALE: 8:1  
 SHEET: 1 OF 2  
 REV: D

TE Connectivity

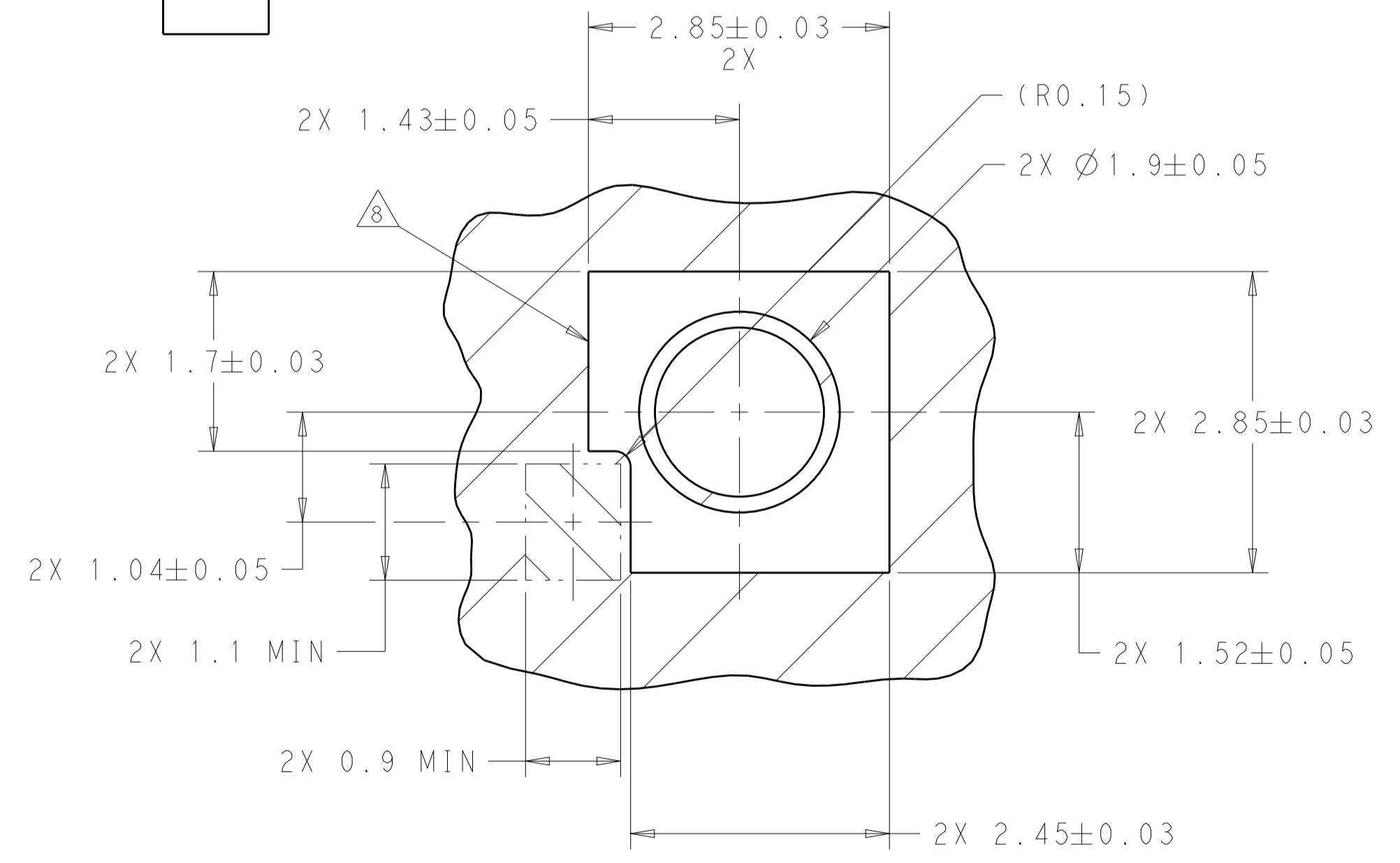
REVISIONS				
P.	LTN.	DESCRIPTION	DATE	APP'D.
-	-	SEE SHEET 1	-	-



RECOMMENDED PCB LAYOUT  
 AND KEEP OUT AREA  
 SCALE 10:1



DETAIL A  
 SCALE 40:1



DETAIL B  
 SCALE 20:1

THIS DRAWING IS A CONTROLLED DOCUMENT.		OWN: B. MATTHEWS 12SEP2017	TE Connectivity
DIMENSIONS: mm		CHK: E. BRIANT 12SEP2017	
TOLERANCES UNLESS OTHERWISE SPECIFIED:		APVD: E. BRIANT 12SEP2017	NAME: CONNECTOR ASSEMBLY, SMT, OSFP
0 PLC ±	1 PLC ±	PRODUCT SPEC: 108-130011	SIZE: A1
2 PLC ±	3 PLC ±	APPLICATION SPEC: 114-130006	CAGE CODE: -
4 PLC ±	ANGLES ±	WEIGHT: -	DRAWING NO: 2324869
MATERIAL: -	FINISH: -	CUSTOMER DRAWING	SCALE: 8:1
			SHEET: 2 OF 2
			REV: D

## X-ON Electronics

Largest Supplier of Electrical and Electronic Components

*Click to view similar products for [I/O Connectors](#) category:*

*Click to view products by [TE Connectivity](#) manufacturer:*

Other Similar products are found below :

[571763P](#) [61-168618-12P](#) [72.250.1628.2](#) [72.250.2428.2](#) [74720-0505](#) [76.350.0729.0](#) [76871-1403](#) [MP-5T180MUNNA-005](#) [PCR-E36PM](#) [PCS-XES68MS+](#) [G38A71314B](#) [9776-18-6](#) [1571250010](#) [157-22500-3](#) [MS3471L14-19P L/C](#) [192991-0703](#) [91-644626-35P](#) [SM3100F14S-58S](#)  
[172501-6002](#) [FCN-260C008-A/L0](#) [FCN-260C024-AL0](#) [FCN-261Z008](#) [2000314-1](#) [200331-1](#) [PCR-E36FC+](#) [PCS-E28FS+](#) [PCS-XE26SLFD+](#)  
[PCS-XE26SLFDT+](#) [G730VID08BDC24](#) [HDMR-29-01-S-SM-TR](#) [HDRA-E68W1LFDTC-SL+](#) [HDR-E14MSG1+](#) [54182-0605](#) [38113800006](#)  
[DP3AR020WQ1R200](#) [Z4.102.0680.0](#) [500-1040](#) [500-1052](#) [500-1054](#) [ZP-4008-66L](#) [10-584459-12P](#) [SM3106F14S-7S-LC](#) [SM3106R18-18S](#)  
[U90B3054061110](#) [U65-E04-4020](#) [ZPF000000000097891](#) [557-262M2-06C](#) [60-042222-02S](#) [10099439-003C-TRLF](#) [226-0348-000](#)