

4

3

2

1

THIS DRAWING IS UNPUBLISHED.

RELEASED FOR PUBLICATION

20

© COPYRIGHT 20 BY -

ALL RIGHTS RESERVED.

REVISIONS

P	LTR	DESCRIPTION	DATE	DWN	APVD
	A	RELEASE PER ECR-20-000419	09JAN2020	DFS	DFS

NOTES:

- MATERIAL:
 HEADER HOUSING: NYLON GF30%
 COLOR: BLACK
 TERMINALS: COPPER ALLOY
 MATING END PLATING: GOLD OVER NICKEL
 SOLDER TAIL END PLATING: TIN OVER NICKEL
 DISPENSED SEALANT: SILICONE
- REFERENCE TO DRAWING 2295114 FOR CONNECTOR INTERFACE DIMENSIONS.
- OPERATING TEMPERATURE; -40 TO +125°C

4. THIS PART MATES WITH 2-WAY PLUG, P/N 2292906-1/2. SEE SHEET 2 FOR KEYING ARRANGEMENTS.

5. NOTE DELETED

6. NOT TOOLED FOR PRODUCTION.

ISOMETRIC VIEWS SHOWN FOR REFERENCE ONLY

THIS DRAWING IS A CONTROLLED DOCUMENT.		DWN RAGHAV SATISH 28MAR2018		
DIMENSIONS: mm		CHK D.F. STACK 28MAR2018		
TOLERANCES UNLESS OTHERWISE SPECIFIED:		APVD D. KLEIN 6JAN2020	NAME 2POS ETHERNET HDR, 180 DEG, SLDR	
0 PLC ±-		PRODUCT SPEC 108-151045	enetSEAL+	
1 PLC ±-		APPLICATION SPEC 114-151045	SIZE A3	CAGE CODE -
2 PLC ±-		WEIGHT -	DRAWING NO C-2325103-C	RESTRICTED TO -
3 PLC ±-		CUSTOMER DRAWING	SCALE 2:1	SHEET 1 OF 7
4 PLC ±-				REV A
ANGLES ±-				
FINISH -				
MATERIAL SEE NOTE 1				
-				

1470-19 (3/13)

THIS DRAWING IS UNPUBLISHED.

RELEASED FOR PUBLICATION

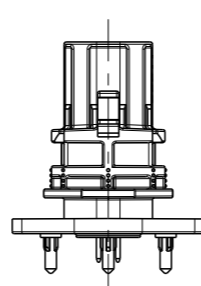
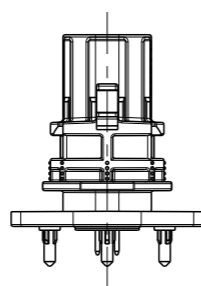
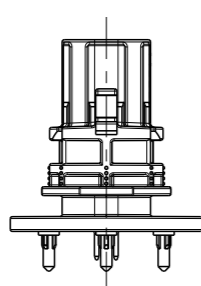
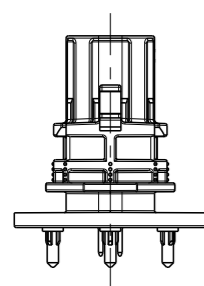
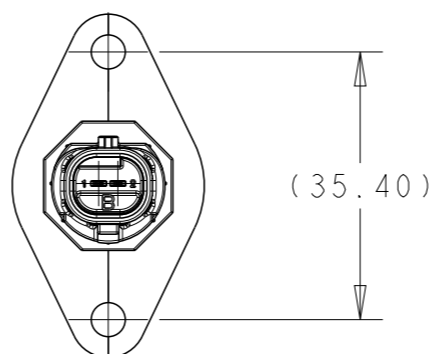
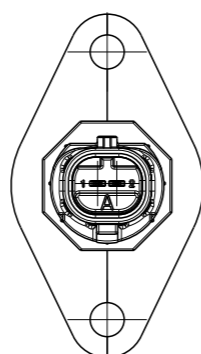
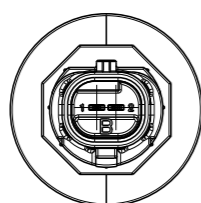
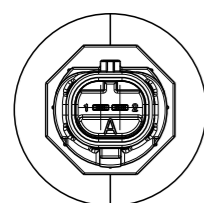
20

© COPYRIGHT 20 BY -

ALL RIGHTS RESERVED.

REVISIONS

P	LTR	DESCRIPTION	DATE	DWN	APVD
-	-	SEE SHEET 1	-	-	-



2325103-1
AS SHOWN
KEY CODE A

2325103-2
AS SHOWN
KEY CODE B



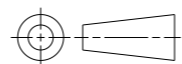
2325103-7
AS SHOWN
KEY CODE A

2325103-8
AS SHOWN
KEY CODE B



THIS DRAWING IS A CONTROLLED DOCUMENT.

DIMENSIONS:
mm



TOLERANCES UNLESS OTHERWISE SPECIFIED:

- 0 PLC ±-
- 1 PLC ±-
- 2 PLC ±-
- 3 PLC ±-
- 4 PLC ±-
- ANGLES ±-
- FINISH -

MATERIAL
SEE NOTE 1

DWN 28MAR2018
RAGHAV SATISH

CHK 28MAR2018
D.F. STACK

APVD 6JAN2020
D. KLEIN

PRODUCT SPEC
108-151045

APPLICATION SPEC
114-151045

WEIGHT -

CUSTOMER DRAWING



TE Connectivity

NAME
2POS ETHERNET HDR, 180 DEG, SLD R
enetSEAL+

SIZE A3	CAGE CODE -	DRAWING NO C-2325103-C	RESTRICTED TO -
------------	----------------	---------------------------	--------------------

SCALE 2:1 SHEET 2 OF 7 REV A

4

3

2

1

THIS DRAWING IS UNPUBLISHED.

RELEASED FOR PUBLICATION

20

© COPYRIGHT 20

BY -

ALL RIGHTS RESERVED.

REVISIONS

P	LTR	DESCRIPTION	DATE	DWN	APVD
	-	SEE SHEET 1	-	-	-


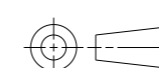
ADDITIONAL NOTES REGARDING PANEL AND PCB FITMENT:

10. RECOMMENDED KEEP OUT REGION TO ENSURE PROPER ASSEMBLY WITH MATING PLUG. THE GEOMETRY SHOWN FOR THE KEEP OUT REGION IS ONLY NECESSARY IF THE DISTANCE FROM THE OUTSIDE SURFACE OF THE ENCLOSURE TO THE HEADER BOTTOMING SURFACE/SURFACES EXCEEDS 11.5MM.

11. HOLES ONLY NECESSARY FOR 2325103-7/8 VARIANTS.

12. REMOVE SHARP EDGES. R0.5MM MAX.

13. X BASIC AND Y BASIC TO BE DEFINED BY CUSTOMER.

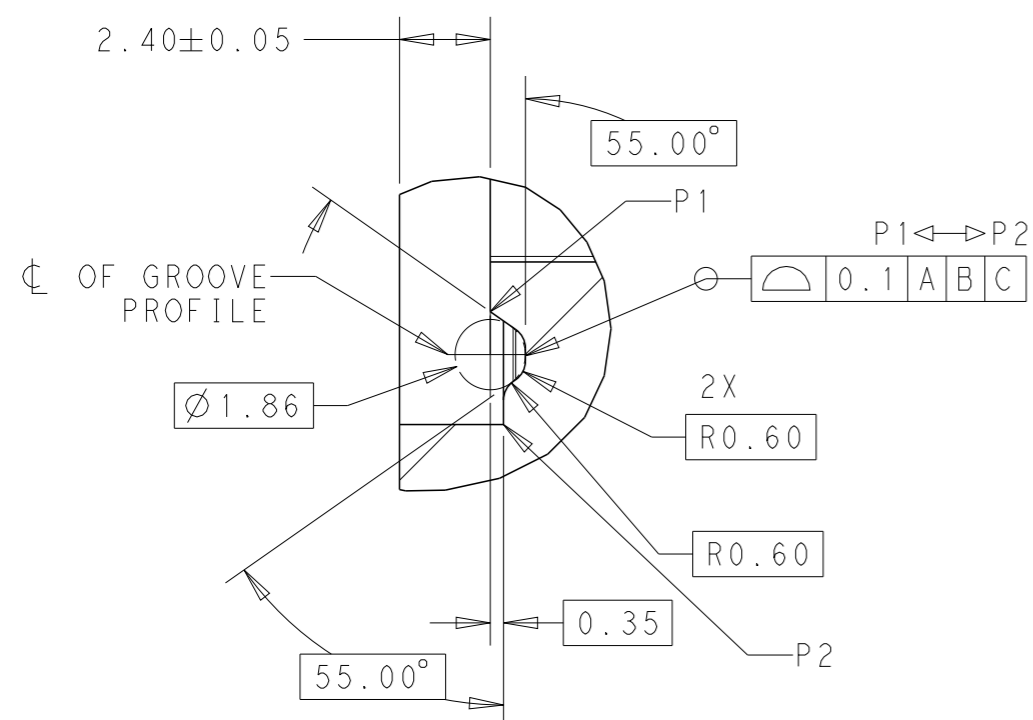
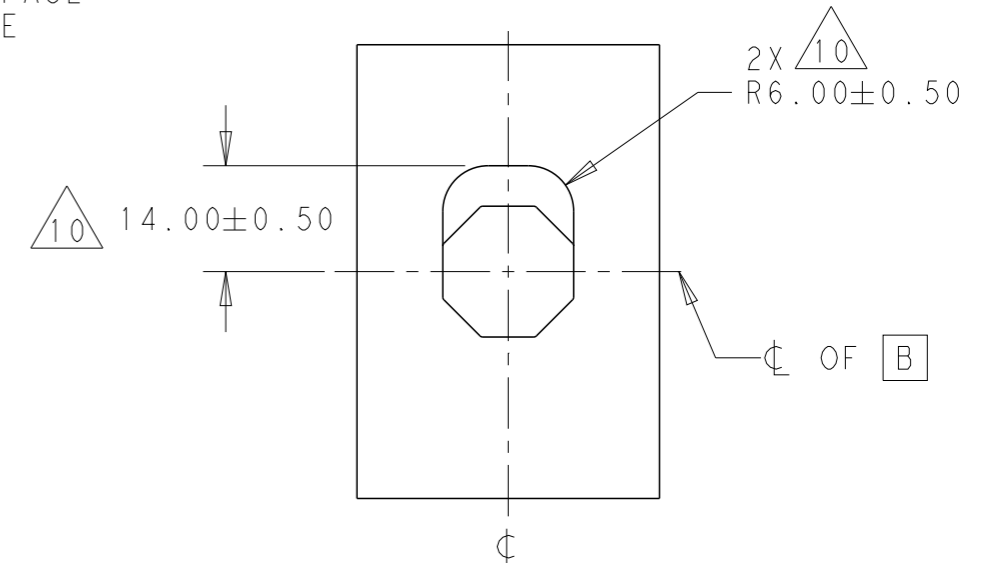
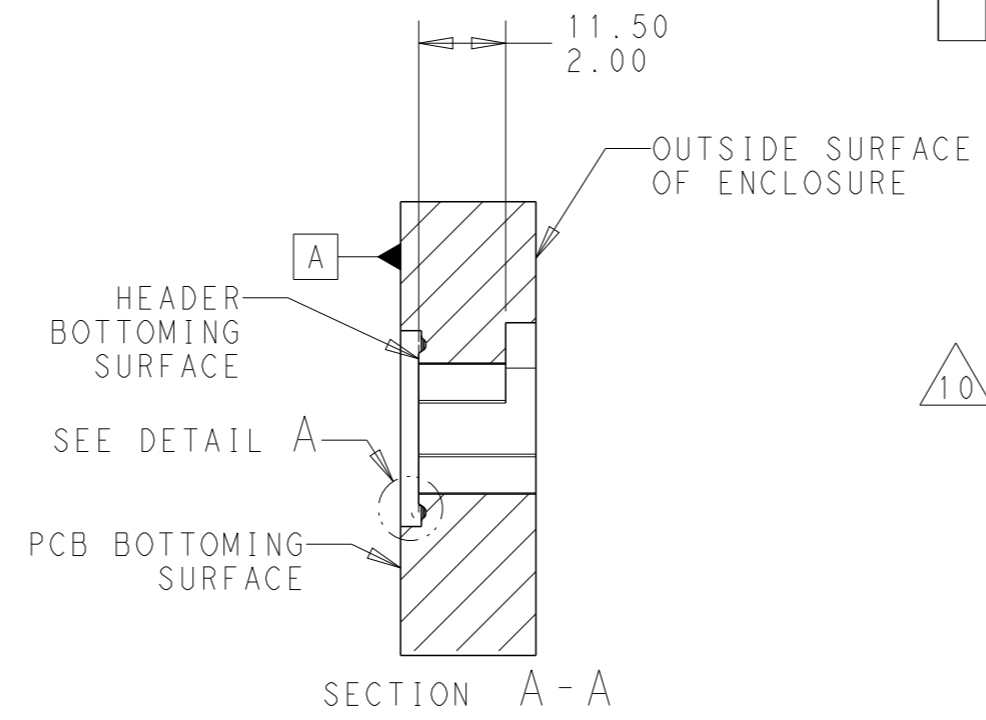
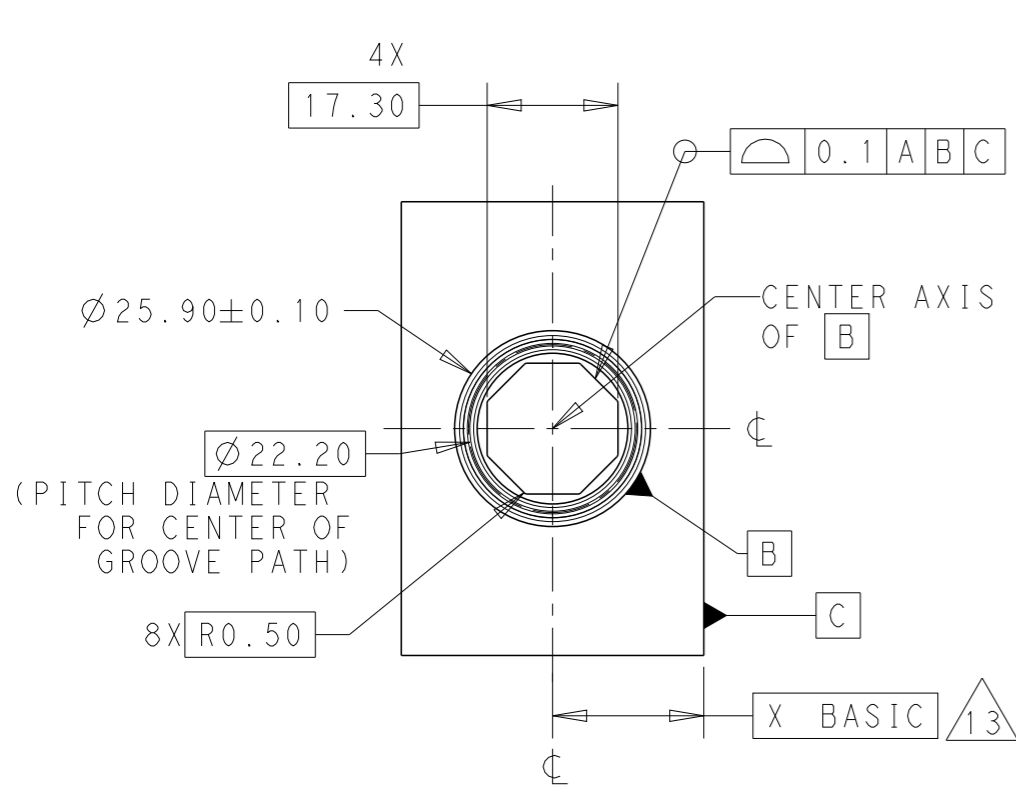
THIS DRAWING IS A CONTROLLED DOCUMENT.		DWN RAGHAV SATISH 28MAR2018	 TE Connectivity	
DIMENSIONS: mm		CHK D.F. STACK 28MAR2018		
		APVD D. KLEIN 6JAN2020	NAME 2POS ETHERNET HDR, 180 DEG, SLDL	
TOLERANCES UNLESS OTHERWISE SPECIFIED:		PRODUCT SPEC 108-151045	enetSEAL+	
0 PLC ±-		APPLICATION SPEC 114-151045	SIZE A3	CAGE CODE -
1 PLC ±-		WEIGHT -	DRAWING NO C=2325103-C	RESTRICTED TO -
2 PLC ±-		CUSTOMER DRAWING	SCALE 2:1	SHEET 3 OF 7
3 PLC ±-			REV A	
4 PLC ±-				
ANGLES ±-				
FINISH -				
MATERIAL SEE NOTE 1				
-				

1470-19 (3/13)


REVISIONS

P	LTR	DESCRIPTION	DATE	DWN	APVD
-	-	SEE SHEET 1	-	-	-

RECOMMENDED ENCLOSURE GEOMETRY FOR ASSEMBLIES
2325103-1 AND 2325103-2



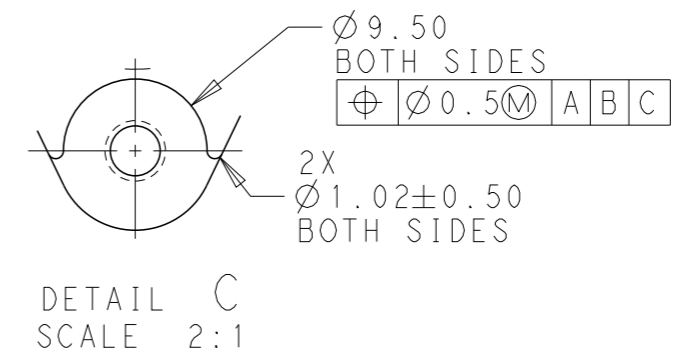
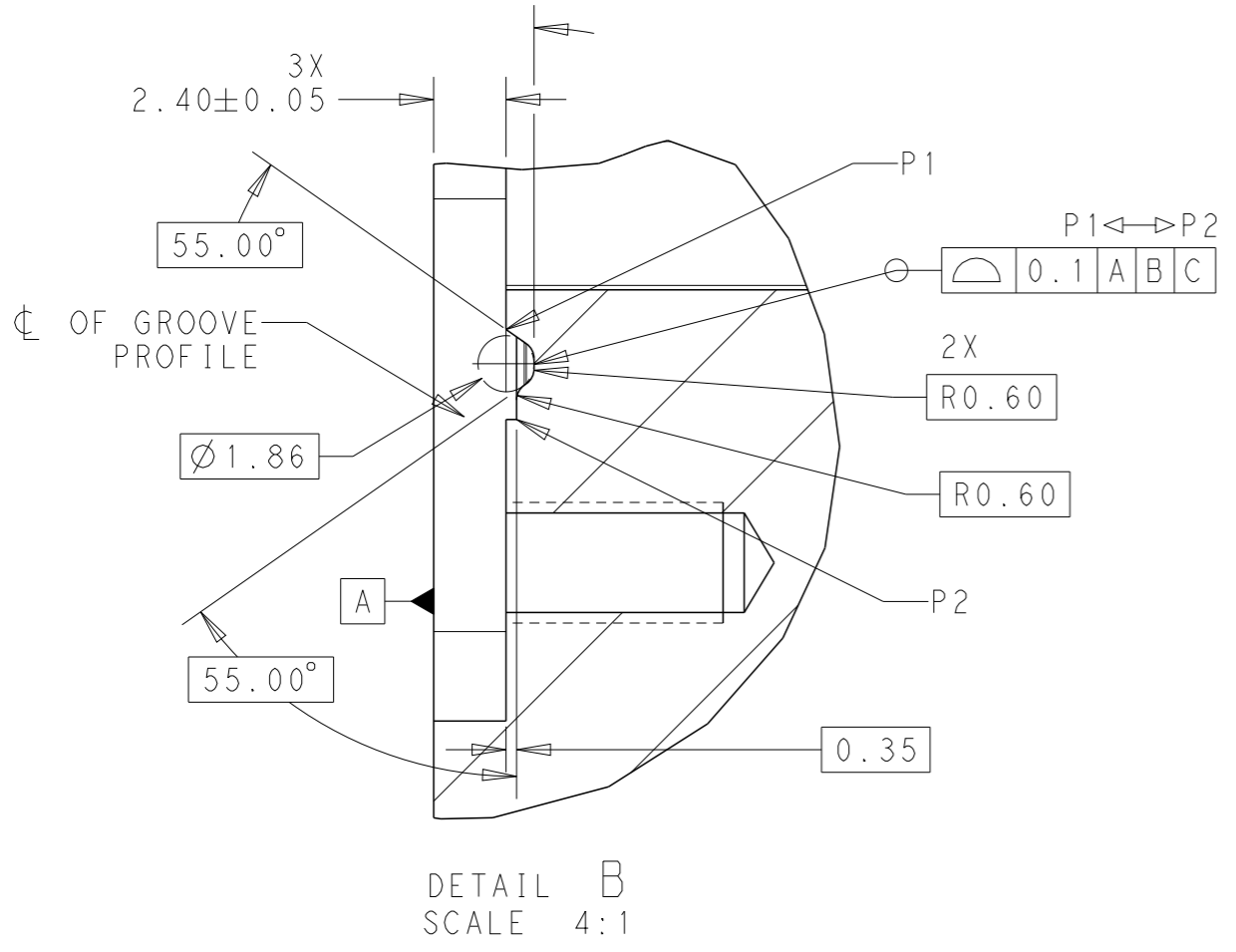
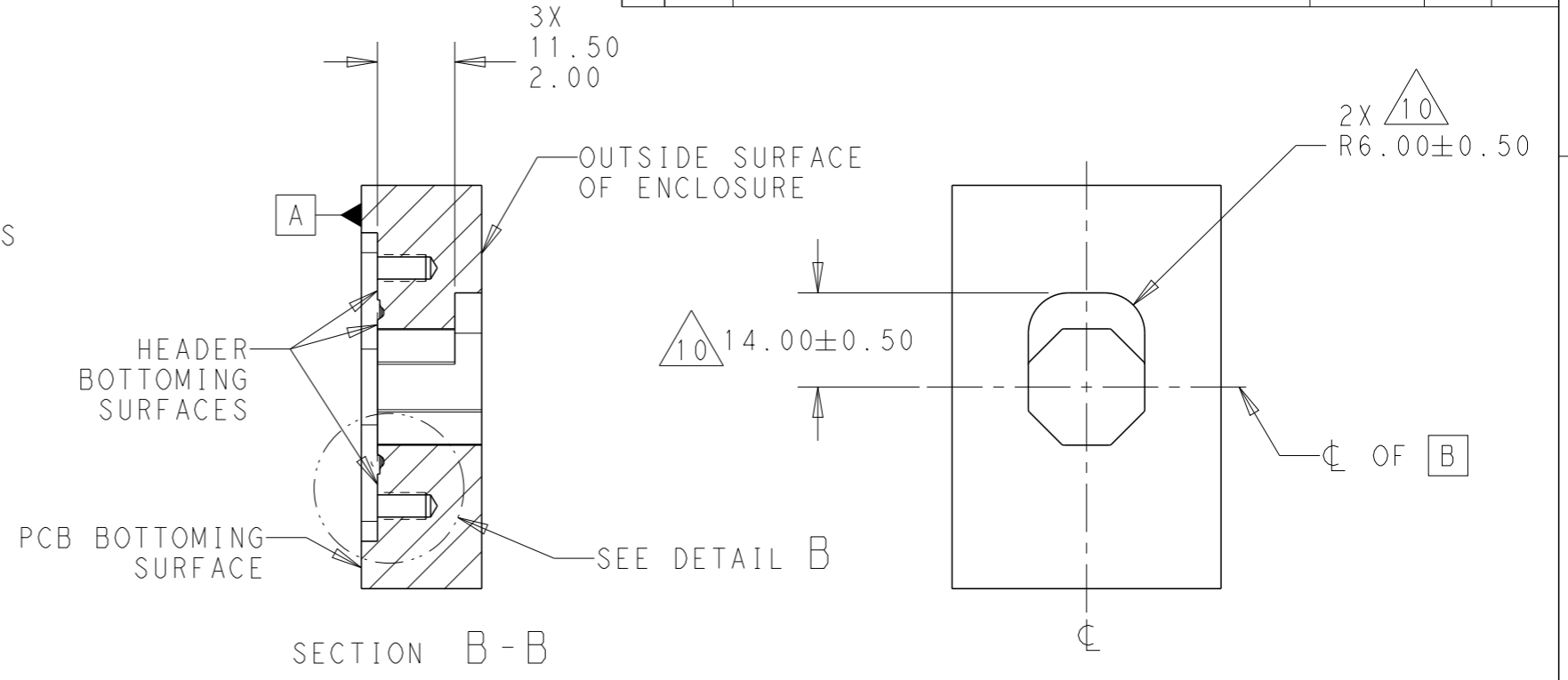
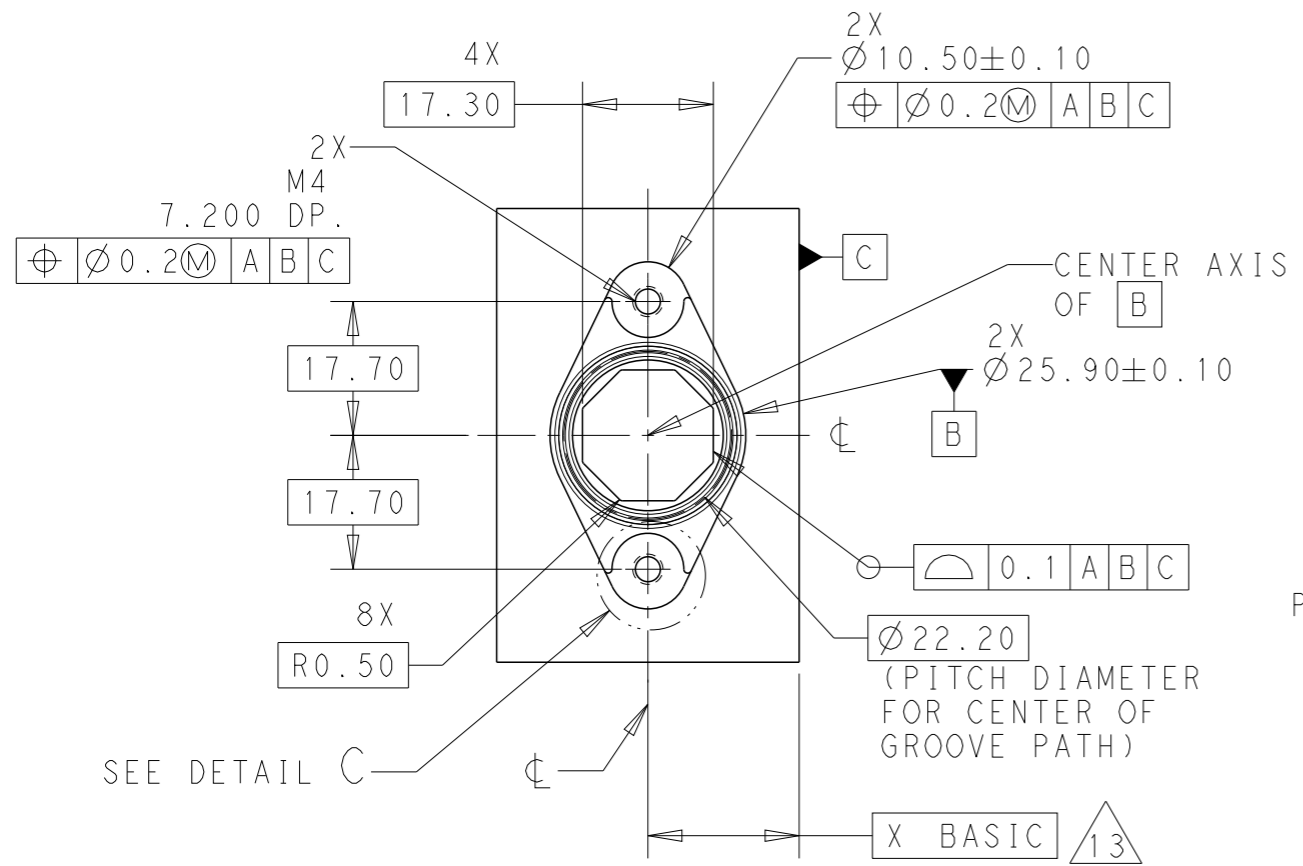
DETAIL A
SCALE 5:1


THIS DRAWING IS A CONTROLLED DOCUMENT.		DWN RAGHAV SATISH 28MAR2018	 TE Connectivity	
DIMENSIONS: mm		CHK D.F. STACK 28MAR2018		
TOLERANCES UNLESS OTHERWISE SPECIFIED:		APVD D. KLEIN 6JAN2020	NAME 2POS ETHERNET HDR, 180 DEG, SLDR	
0 PLC \pm -		PRODUCT SPEC 108-151045	enetSEAL+	
1 PLC \pm -		APPLICATION SPEC 114-151045	SIZE A3	CAGE CODE -
2 PLC \pm -		WEIGHT -	DRAWING NO C-2325103-C	RESTRICTED TO -
3 PLC \pm -		CUSTOMER DRAWING	SCALE 2:1	SHEET 4 OF 7
4 PLC \pm -				REV A
ANGLES \pm -				
FINISH -				
MATERIAL SEE NOTE 1				

THIS DRAWING IS UNPUBLISHED. RELEASED FOR PUBLICATION 20
 © COPYRIGHT 20 BY - ALL RIGHTS RESERVED.

REVISIONS					
P	LTR	DESCRIPTION	DATE	DWN	APVD
-	-	SEE SHEET 1	-	-	-

RECOMMENDED ENCLOSURE GEOMETRY FOR ASSEMBLIES
 2325103-7 AND 2325103-8



THIS DRAWING IS A CONTROLLED DOCUMENT.		DWN 28MAR2018 RAGHAV SATISH	 TE Connectivity		
DIMENSIONS: mm		CHK 28MAR2018 D.F. STACK			
TOLERANCES UNLESS OTHERWISE SPECIFIED:		APVD 6JAN2020 D. KLEIN	NAME 2POS ETHERNET HDR, 180 DEG, SLDR		
0 PLC ±-		PRODUCT SPEC	enetSEAL+		
1 PLC ±-		108-151045	SIZE	CAGE CODE	DRAWING NO
2 PLC ±-		APPLICATION SPEC	A3	-	©-2325103-C
3 PLC ±-		114-151045	RESTRICTED TO		
4 PLC ±-		WEIGHT	-		
ANGLES ±-		CUSTOMER DRAWING	SCALE	SHEET	REV
FINISH		SEE NOTE 1	2:1	5 OF 7	A

4

3

2

1

THIS DRAWING IS UNPUBLISHED.

RELEASED FOR PUBLICATION

20

© COPYRIGHT 20


BY -

ALL RIGHTS RESERVED.

REVISIONS

P	LTR	DESCRIPTION	DATE	DWN	APVD
-	-	SEE SHEET 1	-	-	-

SCALE 2:1
RECOMMENDED PCB LAYOUT

THIS DRAWING IS A CONTROLLED DOCUMENT.		DWN RAGHAV SATISH 28MAR2018	 TE Connectivity	
DIMENSIONS: mm		CHK D.F. STACK 28MAR2018		
TOLERANCES UNLESS OTHERWISE SPECIFIED:		APVD D. KLEIN 6JAN2020	NAME 2POS ETHERNET HDR, 180 DEG, SLDR	
0 PLC ±-		PRODUCT SPEC 108-151045	enetSEAL+	
1 PLC ±-		APPLICATION SPEC 114-151045	SIZE A3	RESTRICTED TO -
2 PLC ±-		WEIGHT -	CAGE CODE -	DRAWING NO C-2325103-C
3 PLC ±-		CUSTOMER DRAWING	SCALE 2:1	SHEET 6 OF 7
4 PLC ±-			REV A	
ANGLES ±-				
FINISH -				
MATERIAL SEE NOTE 1				

1470-19 (3/13)

4

3

2

1

THIS DRAWING IS UNPUBLISHED.

RELEASED FOR PUBLICATION

20

© COPYRIGHT 20

BY -

ALL RIGHTS RESERVED.

REVISIONS

P	LTR	DESCRIPTION	DATE	DWN	APVD
	-	SEE SHEET 1	-	-	-

RECOMMENDED (OPTIONAL) STAKE GEOMETRY FOR SECURING HEADER TO PCB

(1.57)

($\varnothing 3.27$)

(0.85)

SCALE 10:1

($\varnothing 2.20$)

SECTION A - A

POSTS TO BE STAKED

HEADER ASSEMBLY

PCB

ISOMETRIC VIEW SHOWN FOR REFERENCE ONLY

THIS DRAWING IS A CONTROLLED DOCUMENT.

DWN 28MAR2018

RAGHAV SATISH

CHK 28MAR2018

D.F. STACK

APVD 6JAN2020

D. KLEIN

PRODUCT SPEC

108-151045

APPLICATION SPEC

114-151045

WEIGHT

-

CUSTOMER DRAWING

TE Connectivity

NAME 2POS ETHERNET HDR, 180 DEG, SLD

enetSEAL+

SIZE CAGE CODE DRAWING NO

A3

-

C=2325103-C

RESTRICTED TO

-

SCALE 2:1

SHEET 7 OF 7

REV A

1470-19 (3/13)

X-ON Electronics

Largest Supplier of Electrical and Electronic Components

Click to view similar products for [Modular Connectors / Ethernet Connectors](#) category:

Click to view products by [TE Connectivity](#) manufacturer:

Other Similar products are found below :

[8949-H88/06BLKA/SN](#) [74441-0010/BKN](#) [MP1010RX-1000](#) [MP44RX-1000](#) [PHJ-4P4C-1-V-4](#) [PHP-6P6C-5](#) [GAX-3-66](#) [GAX-8-62](#) [GDCX-PA-66-50](#) [GDCX-PN-64](#) [GDCX-PN-66](#) [GDCX-PN-66-50](#) [GDLX-A-66](#) [GDLX-N-66](#) [GDLX-S-66](#) [GDLX-S-88K](#) [GDLX-SMT-S-88](#) [GDTX-S-88-50](#) [GDX-PA-1010](#) [GLX-N-1010M-BLK](#) [GLX-S-88M-BLK](#) [GMX-N-1010](#) [GMX-S-1010](#) [GMX-S-66](#) [GMX-SMT4-N-88](#) [GPX-2-64](#) [GSGX-N-2-88](#) [GSGX-N-4-88](#) [GSX-NS2-88-3.05](#) [GSX-NS2-88-3.05-50](#) [GSX-NS-88-3.05-50](#) [PT-108A-8C-UL](#) [PT-J951-8C](#) [PTS-J531-8CS-50UL](#) [1-1775629-2](#) [A-2014-0-4](#) [GWLX-S-88-GR](#) [GWLX-S9-88-YG](#) [DC-1021-8-WH-6](#) [1300530003](#) [1324640-4](#) [RJ11FTVC2G](#) [RJ11FTVC2N](#) [RJFTVX2SA1G](#) [132764-001](#) [1413235](#) [MP88X-1000](#) [MPS88RX-5000](#) [E5288-S000K3-L](#) [E5908-15A242-L](#)