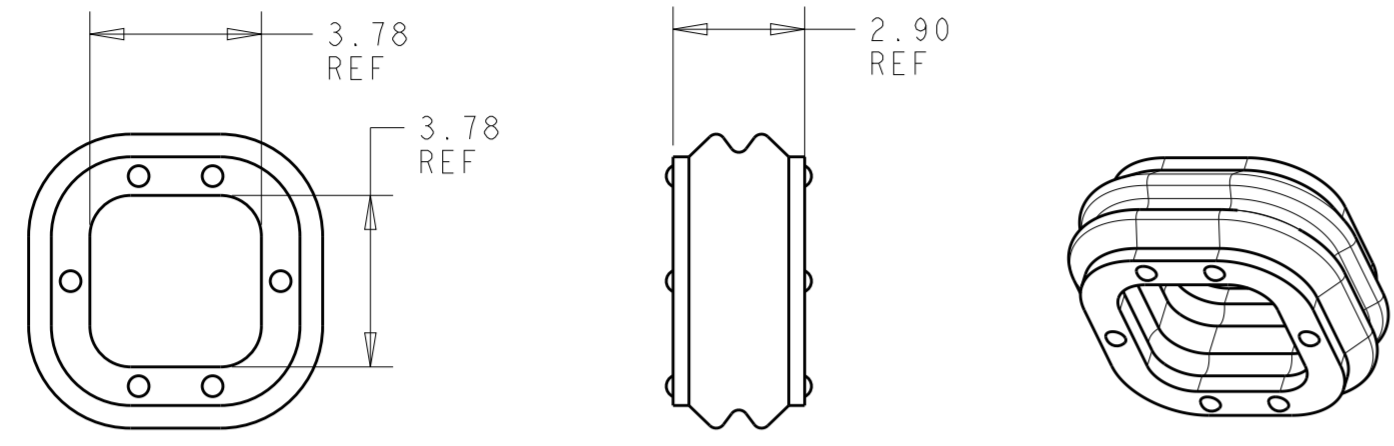


THIS DRAWING IS UNPUBLISHED. RELEASED FOR PUBLICATION 2018
 © COPYRIGHT 2018 BY - ALL RIGHTS RESERVED.

REVISIONS				
P	LTR	DESCRIPTION	DATE	APVD
A		RELEASED PER ECO-19-011398	23JUL2019	BKW CY
A1		REVISED PER ECR-20-100211	08AUG2020	JP VS

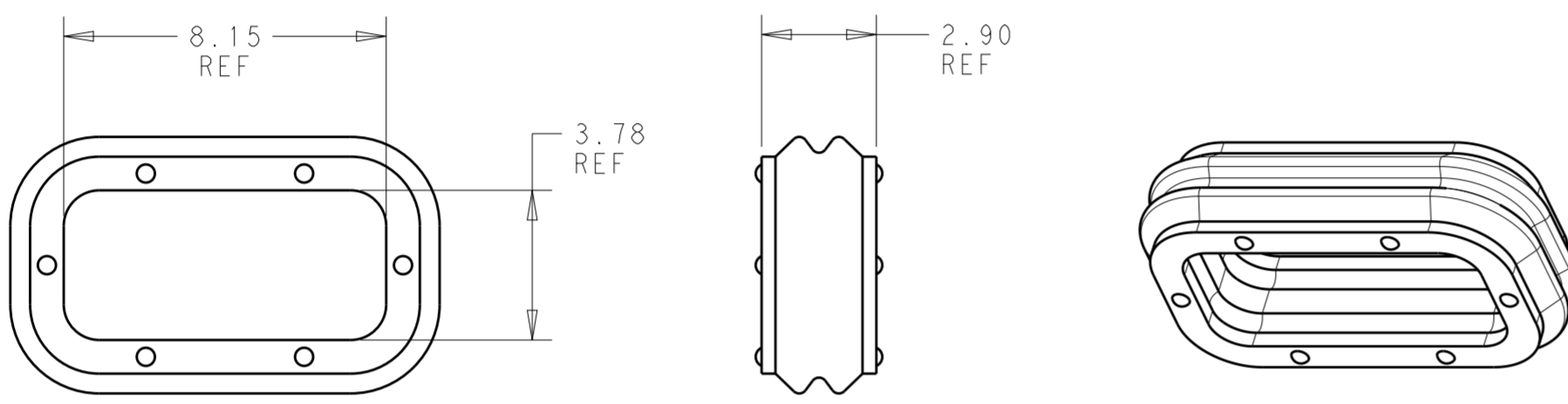


1*1 POSITION

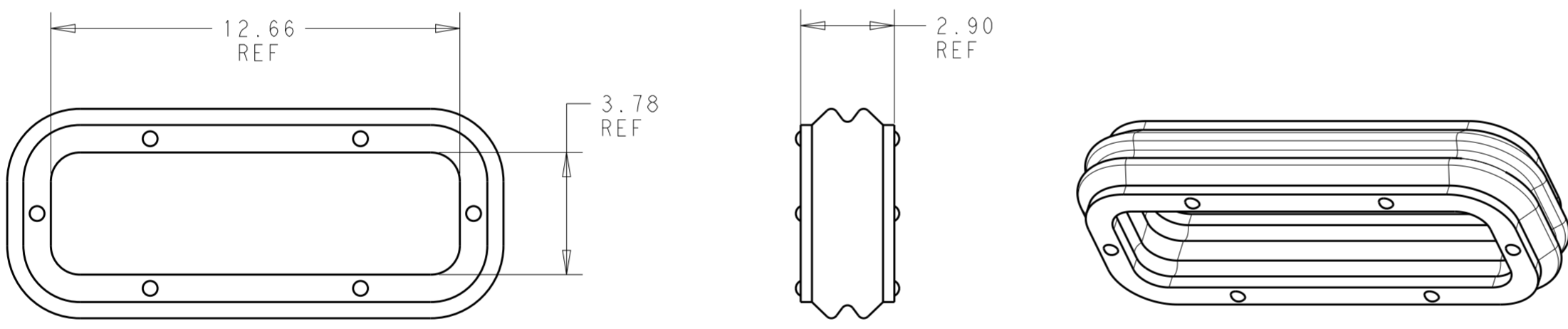
⚠ MATERIAL: SILICONE RUBBER, INHERENTLY LUBRICATED
 COLOR - BLUE

2. MATING PLUG HOUSING P/N'S:
 -2332040-/*-2336229-*/*-2345728-1

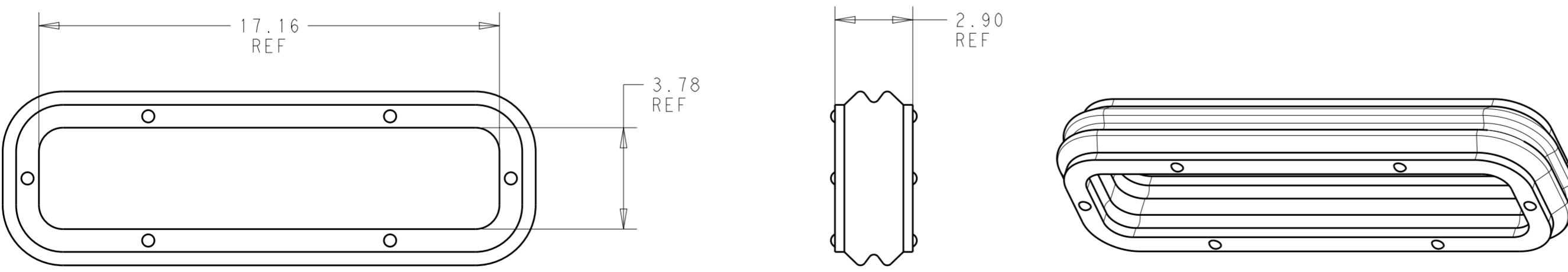
⚠ PRELIMINARY PART - NOT RELEASED FOR PRODUCTION



1*2 POSITION



1*3 POSITION



1*4 POSITION

1*4	⚠ 2325347-4
1*3	2325347-3
1*2	2325347-2
1*1	2325347-1
POSITIONS	PART NUMBER

THIS DRAWING IS A CONTROLLED DOCUMENT.		DWN B. WEAVER 15 JUN 2018	STE TE Connectivity	
DIMENSIONS: mm		CHK S. FERNANDES 15 JUN 2018		
TOLERANCES UNLESS OTHERWISE SPECIFIED:		APVD C. YI 15 JUN 2018	NAME INTERFACE SEAL, POWER VERSA-LOCK	
0 PLC ±	1 PLC ±	PRODUCT SPEC 108-143081	SIZE A200779	
2 PLC ±	3 PLC ±	APPLICATION SPEC 114-143082	CAGE CODE C-2325347	DRAWING NO C-2325347
4 PLC ±	ANGLES ±	WEIGHT -	RESTRICTED TO -	SCALE 6:1
MATERIAL ⚠	FINISH -	CUSTOMER DRAWING	SHEET 1 OF 1	REV A1

X-ON Electronics

Largest Supplier of Electrical and Electronic Components

Click to view similar products for [Heavy Duty Power Connectors](#) category:

Click to view products by [TE Connectivity](#) manufacturer:

Other Similar products are found below :

[647757-1](#) [6643411-1](#) [6646058-2](#) [6646137-1](#) [6646138-1](#) [6646479-1](#) [6646608-1](#) [6646786-1](#) [6646940-1](#) [6651091-1](#) [6651525-1](#) [6651529-1](#)
[6651788-1](#) [696475-1](#) [702-32-01109](#) [703-25-02205](#) [73000005059](#) [73000005642](#) [73080255059](#) [73080965046](#) [765-15-0080A](#) [765-16-0080B](#)
[765-18-0080D](#) [829992-1](#) [902-77-02113](#) [PS00/A0620/6300](#) [PS25/A0420/63](#) [129-1J](#) [1409400](#) [AN0024023](#) [E6374G1](#) [e6389g2](#) [157-43GW8](#)
[MS3117-14AC](#) [1643543-1](#) [1650540-1](#) [1651811-2](#) [1766260-1](#) [1766282-1](#) [1766966-1](#) [1791340000](#) [NLDFT-3-BL-L-S120-M40A](#) [NLDFT-N-](#)
[W-L-C240-M40B](#) [NLS-2-R-C240-M40B](#) [NLS-N-W-C240-M40B](#) [NPS-3-BL-T6](#) [1986615-1](#) [2-1589900-8](#) [2199314-1](#) [KA8102](#)