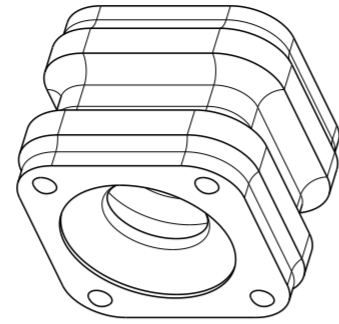
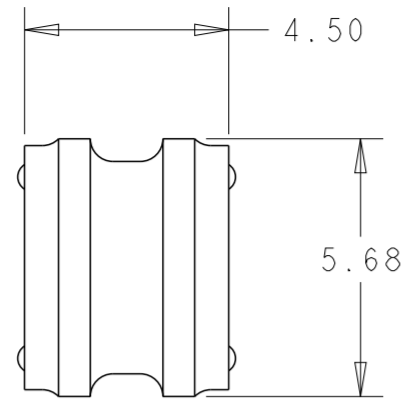
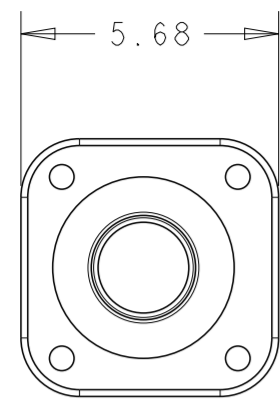
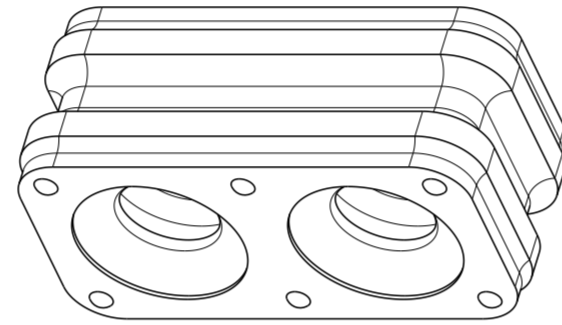
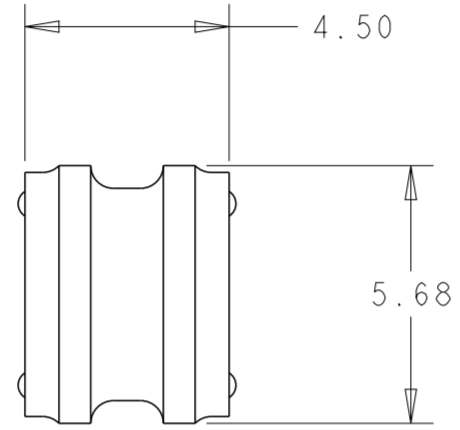
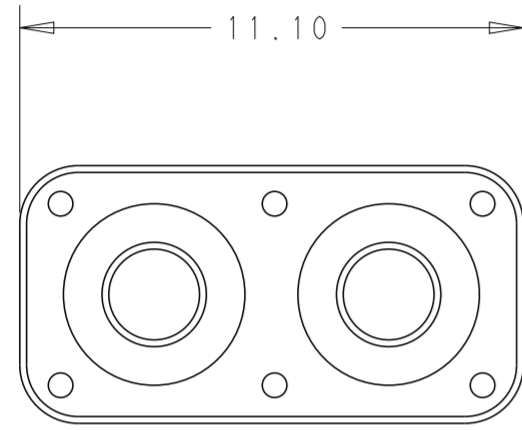


THIS DRAWING IS UNPUBLISHED. RELEASED FOR PUBLICATION 2018
 © COPYRIGHT 2018 BY - ALL RIGHTS RESERVED.

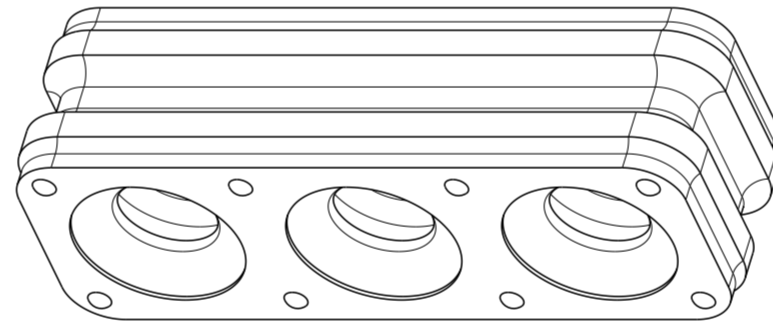
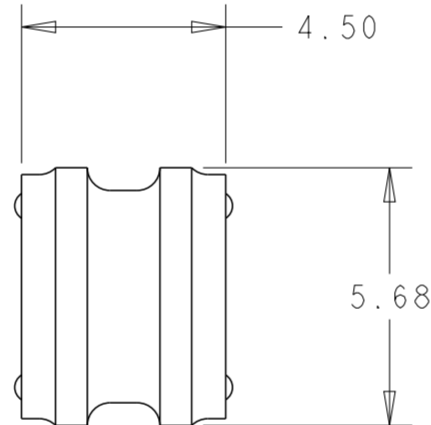
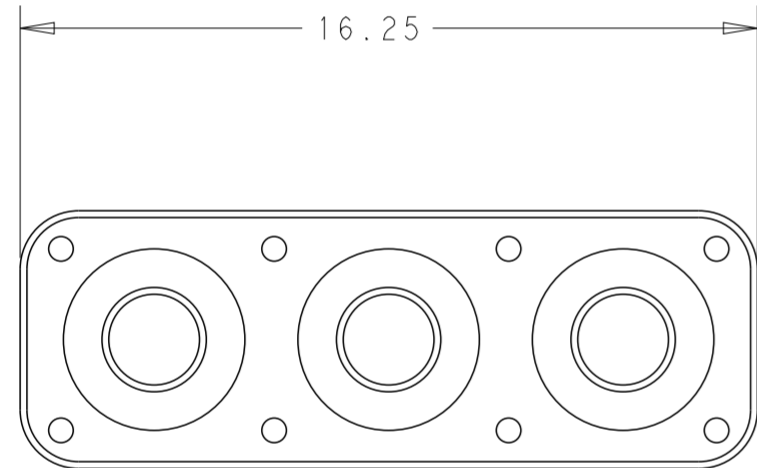
REVISIONS				
P	LTR	DESCRIPTION	DATE	APVD
A		RELEASED PER ECO-19-016370	25OCT2019	BKW DS
A1		REVISED PER ECR-20-100211	08AUG2020	JP VS
A2		REVISED PER ECR-22-126000	07JAN2022	SS VS
A3		REVISED PER ECR-22-146203	18JUL2022	AVN VS



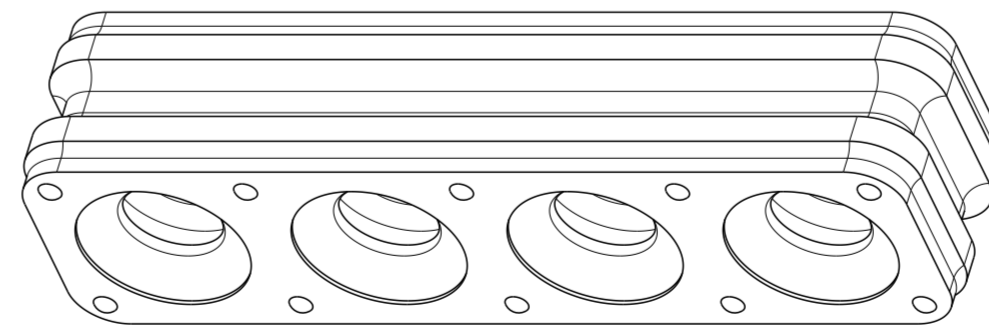
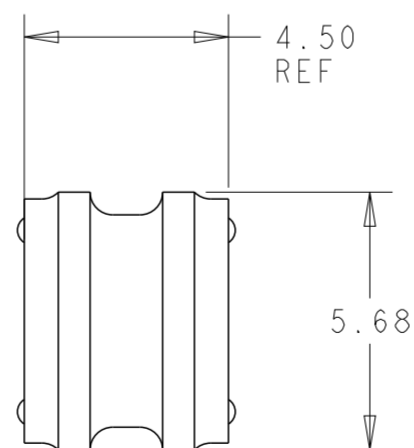
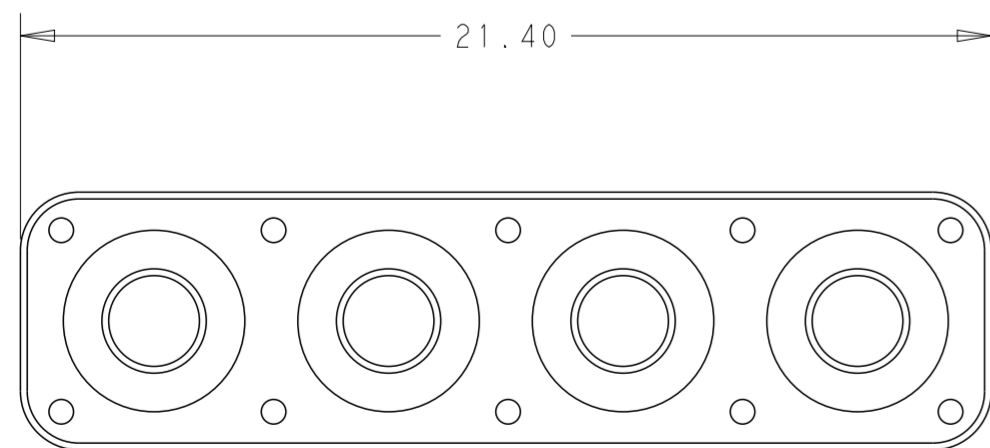
1*1 POSITION



1*2 POSITION



1*3 POSITION



1*4 POSITION

1 MATERIAL: SILICONE RUBBER, INHERENTLY LUBRICATED
 COLOR - SEE CHART

2 SEE CHART FOR INSULATION OD RANGE

3 MATING CONNECTOR P/N'S:
 CAP HSG - *-2325350-*/*-2325043-*/*-2336231-*/
 -2337219-/*-2345729-1
 PLUG HSG - *-2332040-*/*-2336229-*/*-2345728-1
 CONTACTS - 2329907-*/2329908-*/2329911-*/2329914-*/
 2329916-*/2329917-*/
 BACK COVER (OPTIONAL) - 2324614-*/2340648-6

4 PRELIMINARY PART - NOT RELEASED FOR PRODUCTION
 THIS PRODUCT HAS NOT COMPLETED QUALIFICATION TESTING

5 THIS PRODUCT HAS NOT COMPLETED QUALIFICATION TESTING

GREEN	1.30-2.40	1*4	4 1-2325349-4
GREEN	1.30-2.40	1*3	5 1-2325349-3
GREEN	1.30-2.40	1*2	4 1-2325349-2
GREEN	1.30-2.40	1*1	4 1-2325349-1
BLUE	2.45-3.60	1*4	5 2325349-4
BLUE	2.45-3.60	1*3	2325349-3
BLUE	2.45-3.60	1*2	2325349-2
BLUE	2.45-3.60	1*1	2325349-1
COLOR 1	INSULATION OD RANGE 2	POSITIONS	PART NUMBER

THIS DRAWING IS A CONTROLLED DOCUMENT.

DIMENSIONS: mm	TOLERANCES UNLESS OTHERWISE SPECIFIED:	DWN B. WEAVER 15 JUN 2018	TE Connectivity NAME GANG SEAL, POWER VERSA-LOCK
0 PLC ±	1 PLC ±	CHK S. FERNANDES 15 JUN 2018	
2 PLC ±0.50	3 PLC ±	APVD C. YI 15 JUN 2018	
4 PLC ±	ANGLES ±	PRODUCT SPEC 108-143081	
MATERIAL 1	FINISH -	APPLICATION SPEC 114-143082	SIZE A2
		WEIGHT -	CAGE CODE 00779
		CUSTOMER DRAWING	DRAWING NO C-2325349
		SCALE 6:1	SHEET 1 OF 1
			REV A3

X-ON Electronics

Largest Supplier of Electrical and Electronic Components

Click to view similar products for [Heavy Duty Power Connectors](#) category:

Click to view products by [TE Connectivity](#) manufacturer:

Other Similar products are found below :

[6646058-2](#) [6646137-1](#) [6646138-1](#) [6646940-1](#) [6651091-1](#) [6651525-1](#) [6651529-1](#) [696475-1](#) [702-32-01109](#) [73080255059](#) [73080965046](#)
[7310205040001](#) [765-16-0080B](#) [765-18-0080D](#) [902-77-02113](#) [PS00/A0620/6300](#) [AN0024023](#) [154-42B7WM250](#) [MS3117-14AC](#) [1643543-1](#)
[1766966-1](#) [1791340000](#) [NLDFT-3-BL-L-S120-M40A](#) [NLDFT-N-W-L-C240-M40B](#) [1926015-1](#) [NLS-3-BL-C240-M40B](#) [NLS-N-W-C240-](#)
[M40B](#) [NPS-3-BL-T6](#) [2-1589900-8](#) [9300480317](#) [294-0091-01100](#) [296-0040-01100](#) [1-6609148-0](#) [A32595-0049](#) [1766249-1](#) [19000005132](#)
[1926016-1](#) [1-966831-8](#) [AN0024202](#) [AN0264023](#) [279-0841-10100A](#) [281-0334-00100A](#) [RMSB4](#) [419-2083-301](#) [LCDX4/0-14B-X](#) [075-8519-](#)
[001](#) [078238-1613](#) [07.470.3256.0](#) [09000005288](#) [09140240311](#)