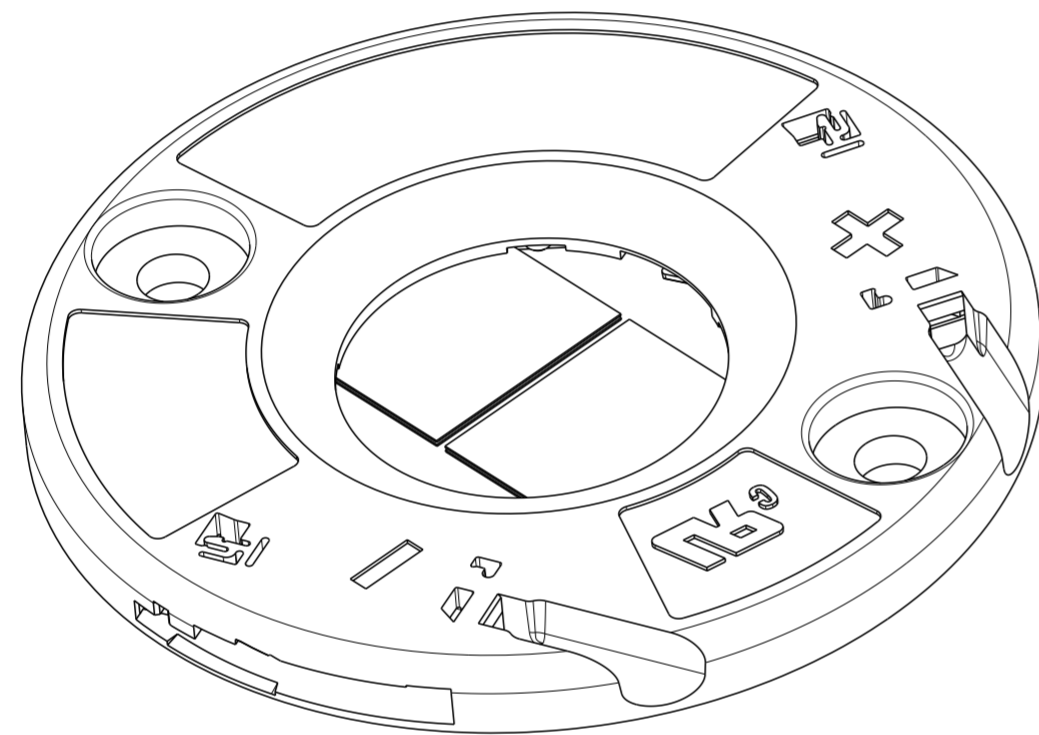


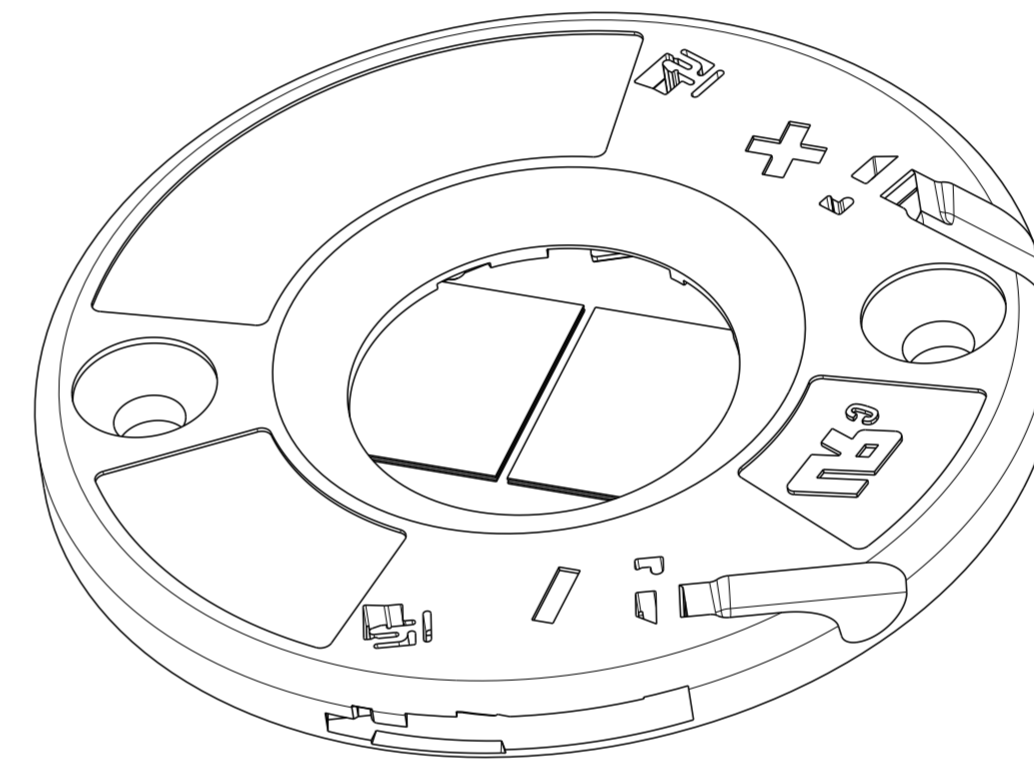
THIS DRAWING IS UNPUBLISHED. RELEASED FOR PUBLICATION 20
 © COPYRIGHT 20 BY - ALL RIGHTS RESERVED.

REVISIONS				
P	LTR	DESCRIPTION	DATE	APVD
B1		ECR-19-013004	26AUG2019	SR JL
B2		ECR-20-000836	23JAN2020	SB JL
B3		ECR-20-002949	02MAR2020	SR JL
B4		ECR-20-006986	18MAY2020	SR DD

- 1 MATERIALS:
 HOLDER: PBT ,COLOR: NATURAL;
 CONTACTS: COPPER ALLOY, Au/Ni PLATING (LED INTERFACE)
- 2. FOR SOLID, FUSED AND STRANDED CONDUCTOR WIRE TYPES AWG 18 AND 20
- 3. WIRE STRIP LENGTH: 11-12mm
- 4. MAX. WIRE INSULATION OUTER DIA: $\varnothing 2,3\text{mm}$
- 5. RECOMMENDED SCREW TORQUE: SEE APPLICATION SPECIFICATION 114-133107.
- 6. SCREWS TO BE USED: M3, #4-40
- 7. LED MATING ON 2 CORNERS WITH ADHESIVE TAPE 3M 9472LE 300LSE.
- 8 LAYOUTS ON SHEET 4
- 9. FOR COB-TO-HOLDER CROSS REFERENCE, REFER TO APPLICATION SPECIFICATION 114-32208
- 10 PACKAGED ONE TRAY OF 20 PCS PER BOX, 10 BOXES PER SHIPPING CARTON.



PAN HEAD
SCALE 3:1



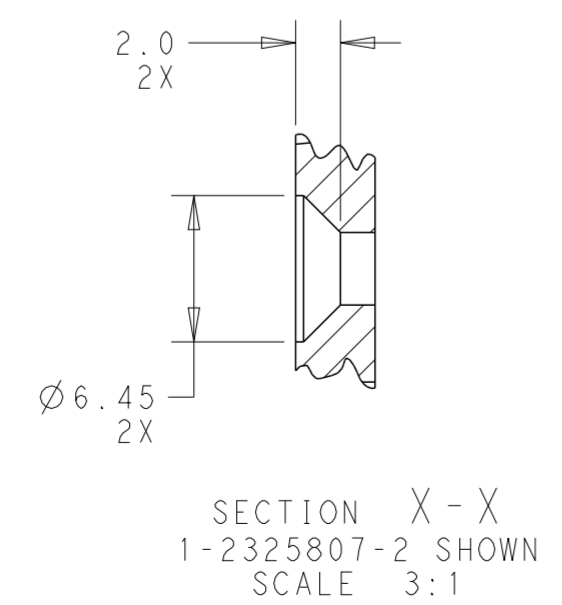
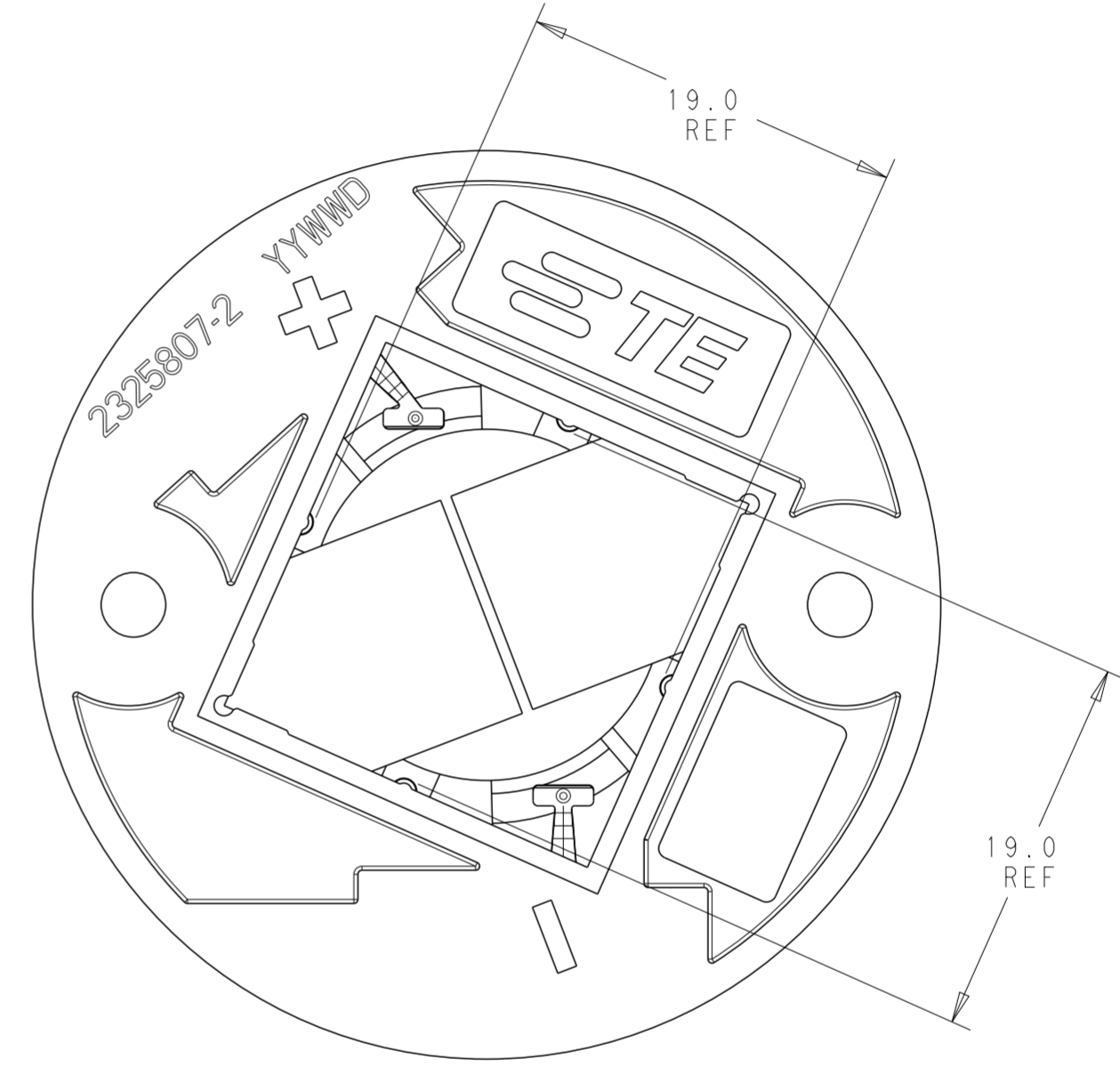
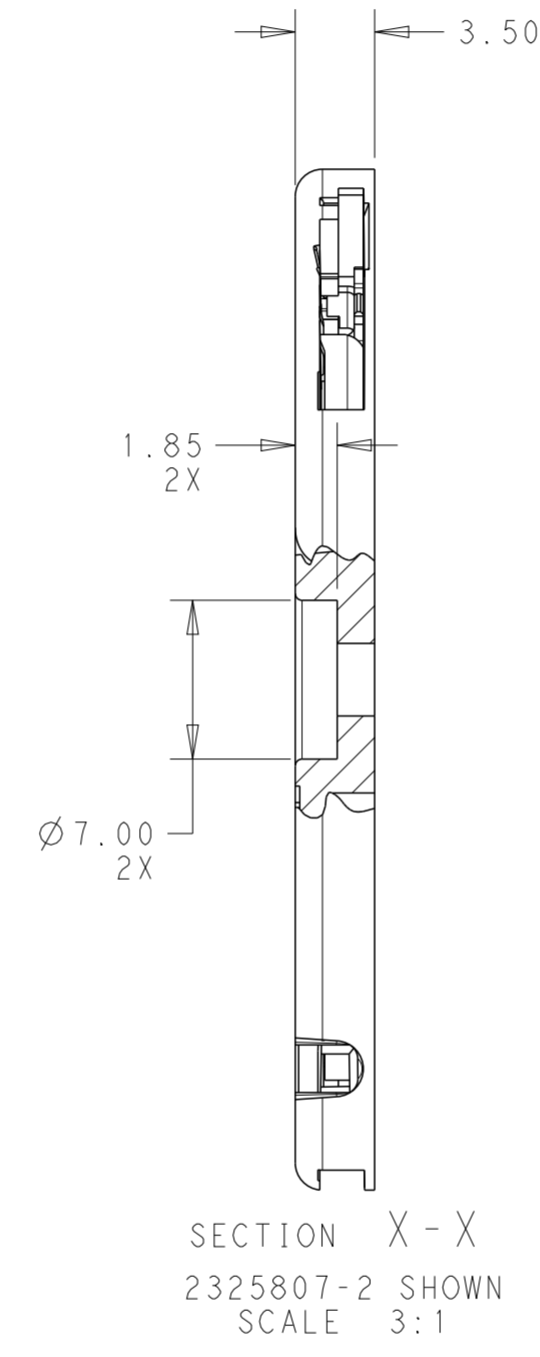
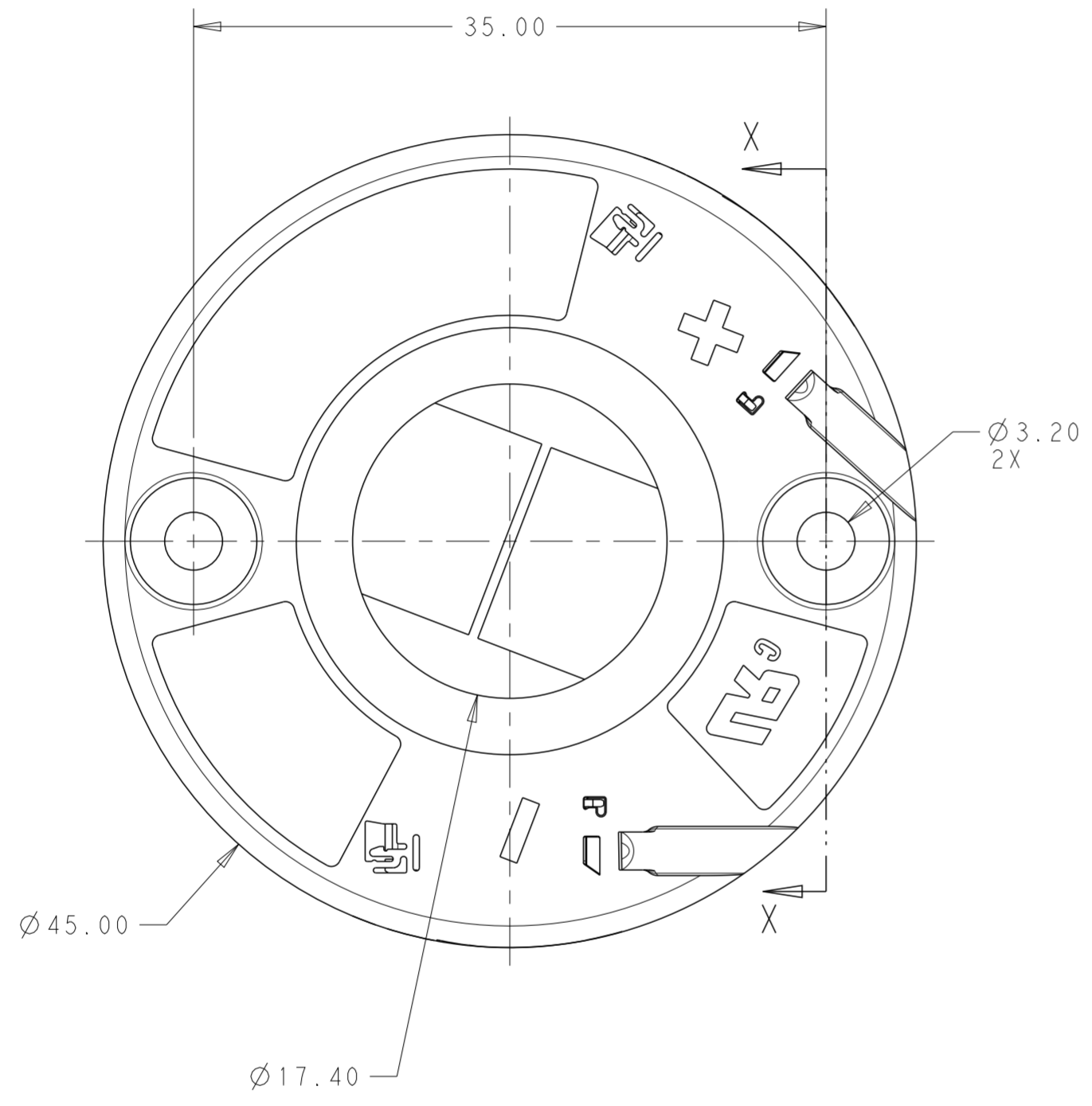
COUNTERSINK
SCALE 3:1

10	B	COUNTERSINK	5-2325807-3
	B	PAN HEAD	4-2325807-3
	A	PAN HEAD	4-2325807-2
	B	COUNTERSINK	1-2325807-3
	B	PAN HEAD	2325807-3
	A	COUNTERSINK	1-2325807-2
	A	PAN HEAD	2325807-2
	LED LAYOUT 8	DESCRIPTION	PART NO.

DIMENSIONS:		TOLERANCES UNLESS OTHERWISE SPECIFIED:		THIS DRAWING IS A CONTROLLED DOCUMENT.		DWN C DAILY 18DEC2017		CHK J LATORRE 18DEC2017		APVD -		NAME	
mm		0 PLC	±									LED HOLDER, 19x19	
		1 PLC	±0.2									LUMAWISE Z45 LED	
		2 PLC	±0.13									SIZE	CAGE CODE
		3 PLC	±									108-133062	DRAWING NO
		4 PLC	±									114-133107	RESTRICTED TO
		ANGLES	±2°									A200779	C-2325807
		FINISH	-									SCALE	SHEET
			-									2:1	1 OF 4
			-										REV B4

THIS DRAWING IS UNPUBLISHED. RELEASED FOR PUBLICATION 20
 © COPYRIGHT 20 BY - ALL RIGHTS RESERVED.

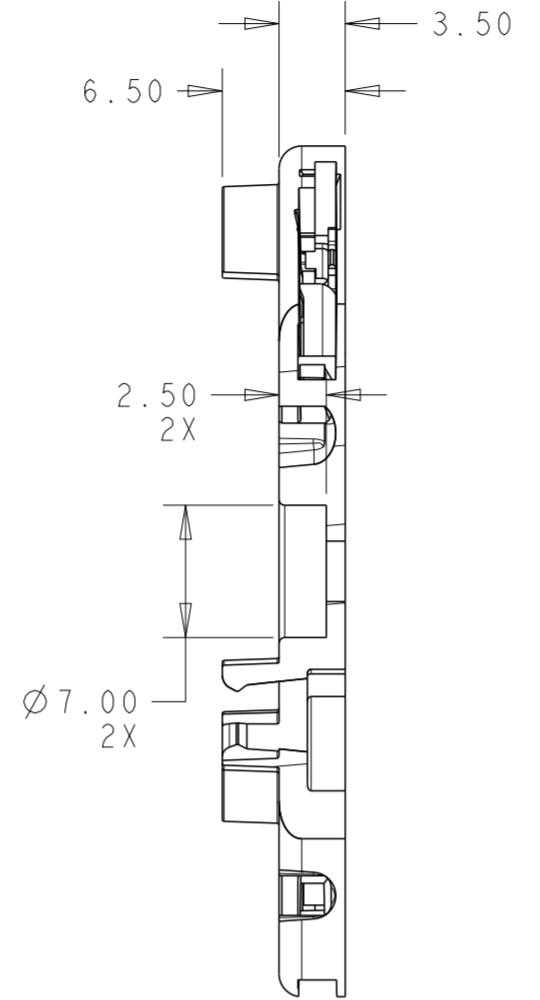
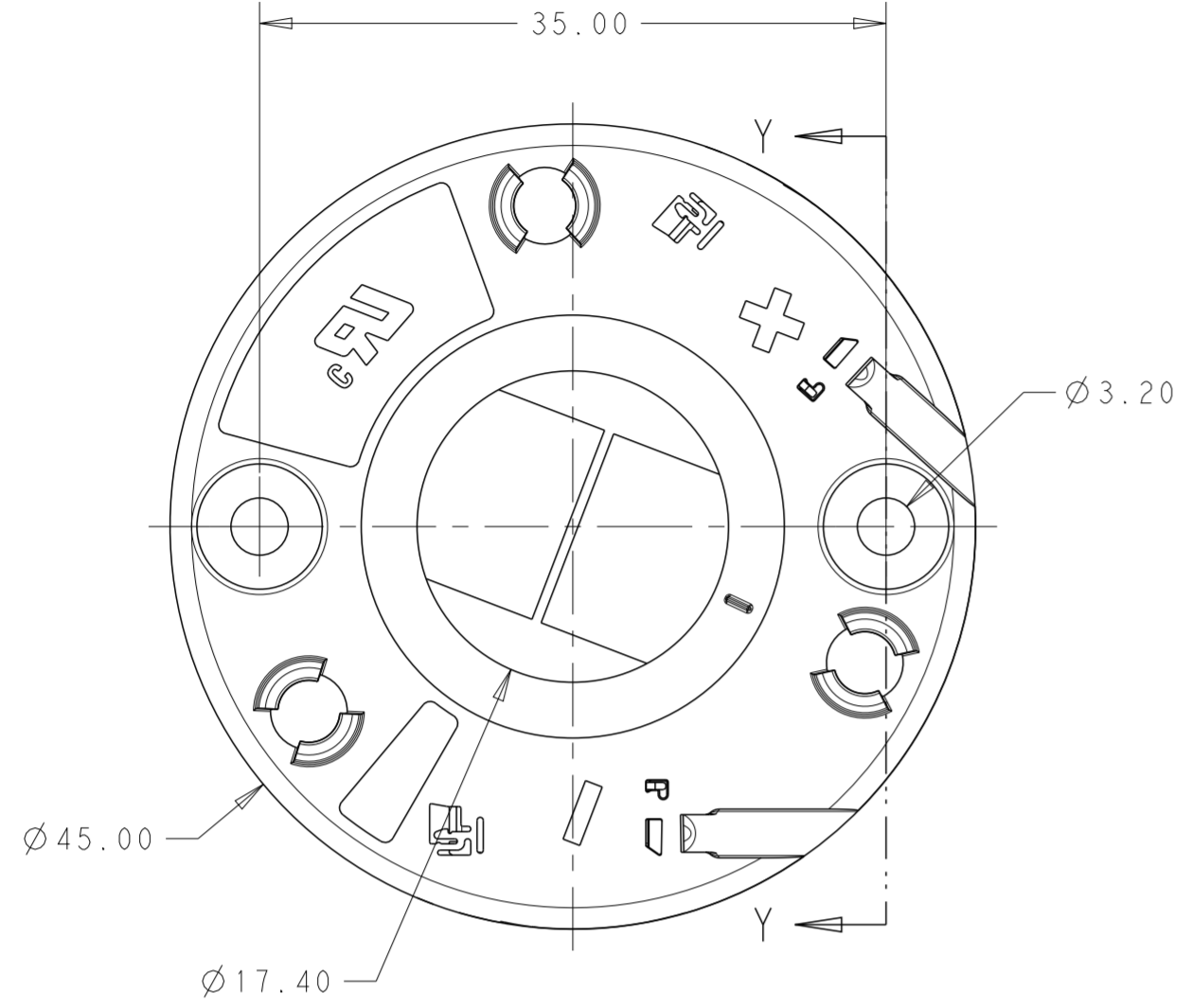
REVISIONS				
P	LTR	DESCRIPTION	DATE	APVD
-	-	SEE SHEET 1	-	-



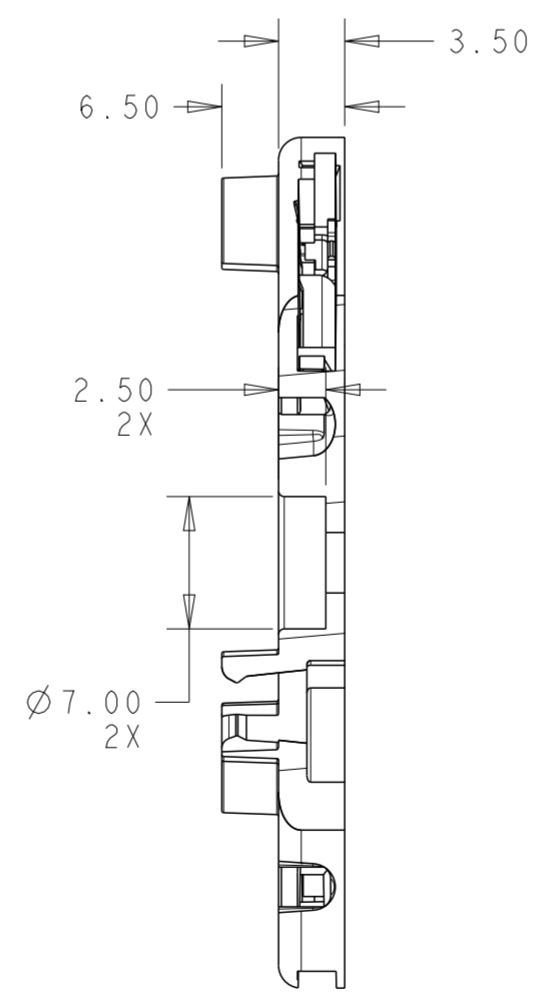
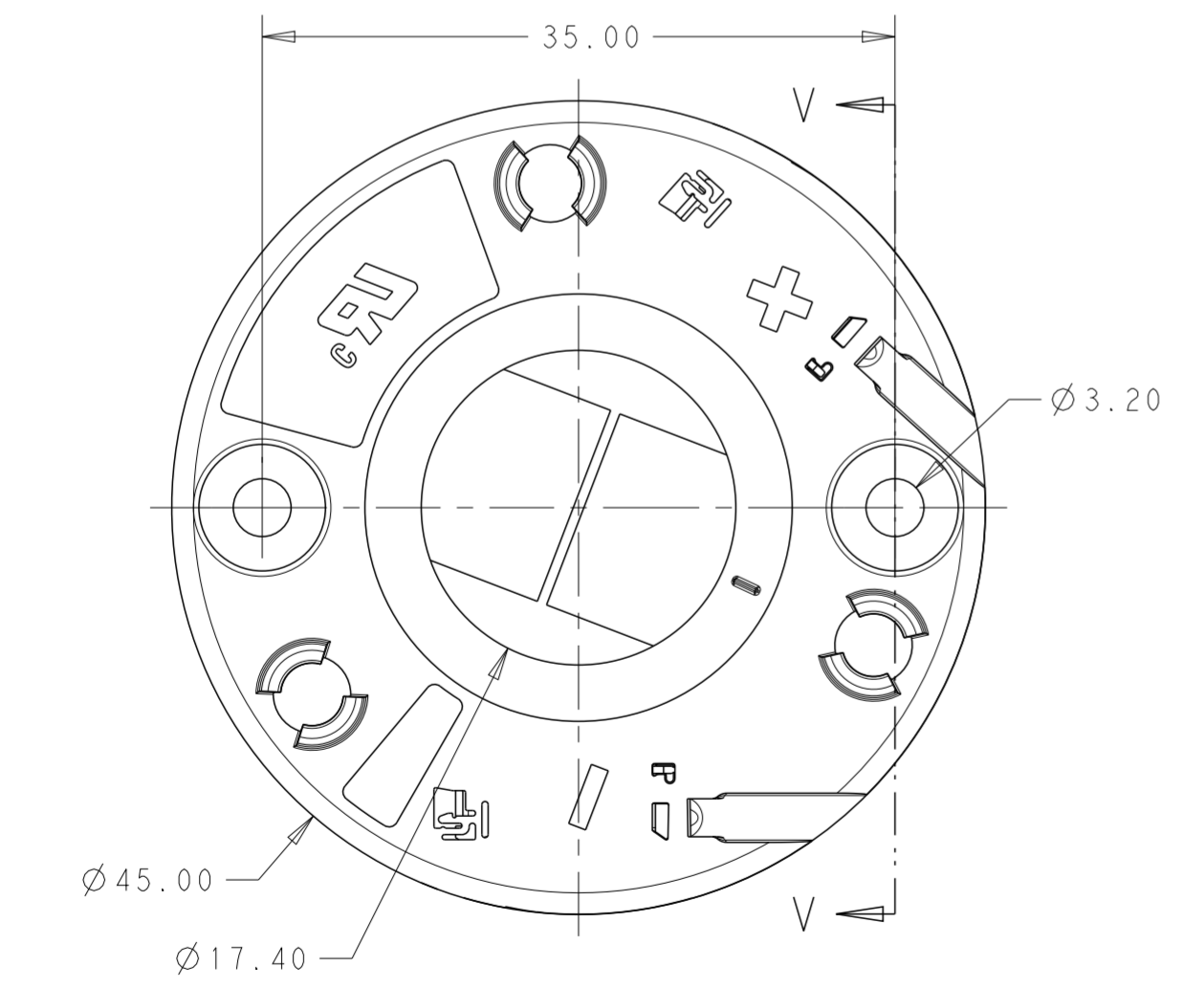
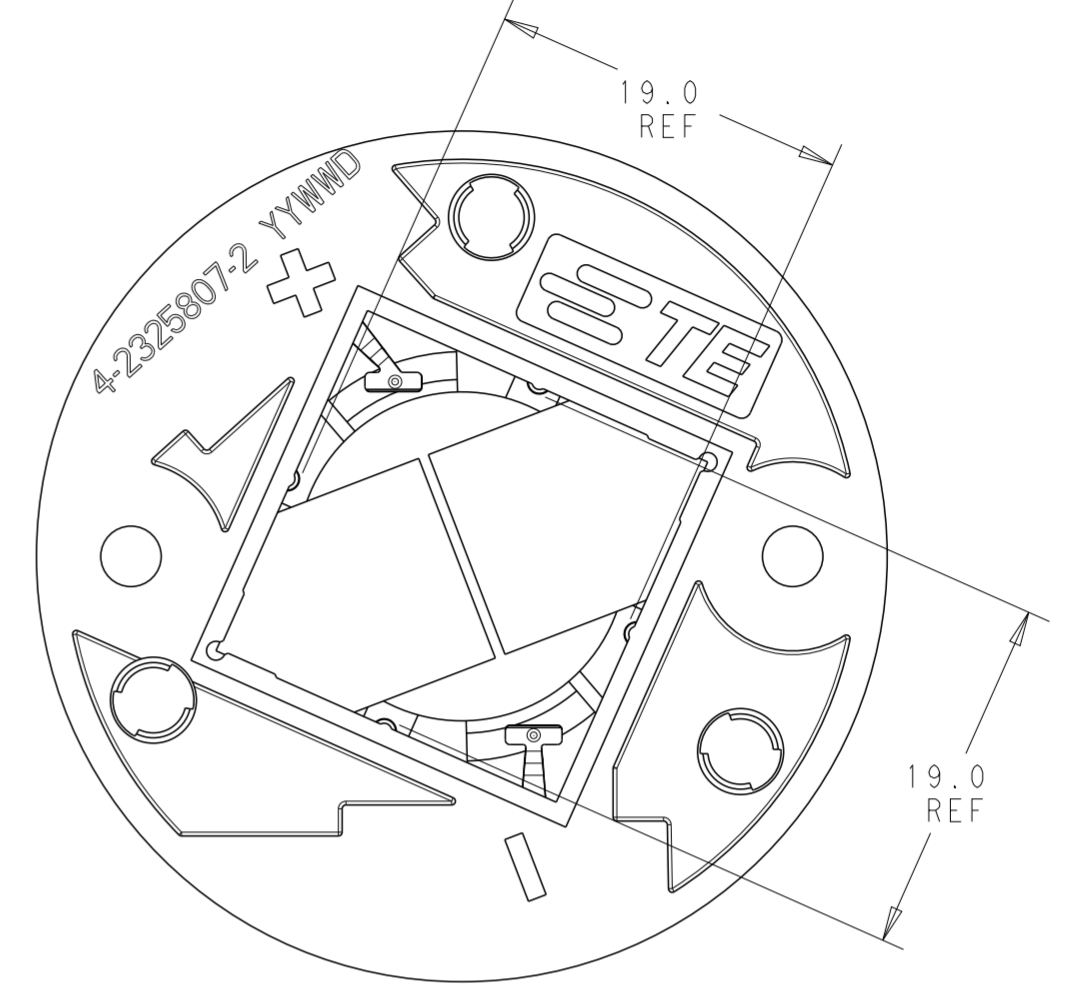
THIS DRAWING IS A CONTROLLED DOCUMENT.		DWN C. DAILY 18DEC2017	STE TE Connectivity	
		CHK J. LATORRE 18DEC2017		
DIMENSIONS: mm		TOLERANCES UNLESS OTHERWISE SPECIFIED:		APVD -
		0 PLC	±	NAME LED HOLDER, 19x19 LUMAWISE Z45 LED
		1 PLC	±0.2	PRODUCT SPEC 108-133062
		2 PLC	±0.13	APPLICATION SPEC 114-133107
		3 PLC	±	WEIGHT -
MATERIAL		FINISH	±2°	SIZE A200779
				CAGE CODE C-2325807
				DRAWING NO -
				RESTRICTED TO -
				SCALE 3:1
				SHEET 2 OF 4
				REV B4

THIS DRAWING IS UNPUBLISHED. RELEASED FOR PUBLICATION 20
 © COPYRIGHT 20 BY - ALL RIGHTS RESERVED.

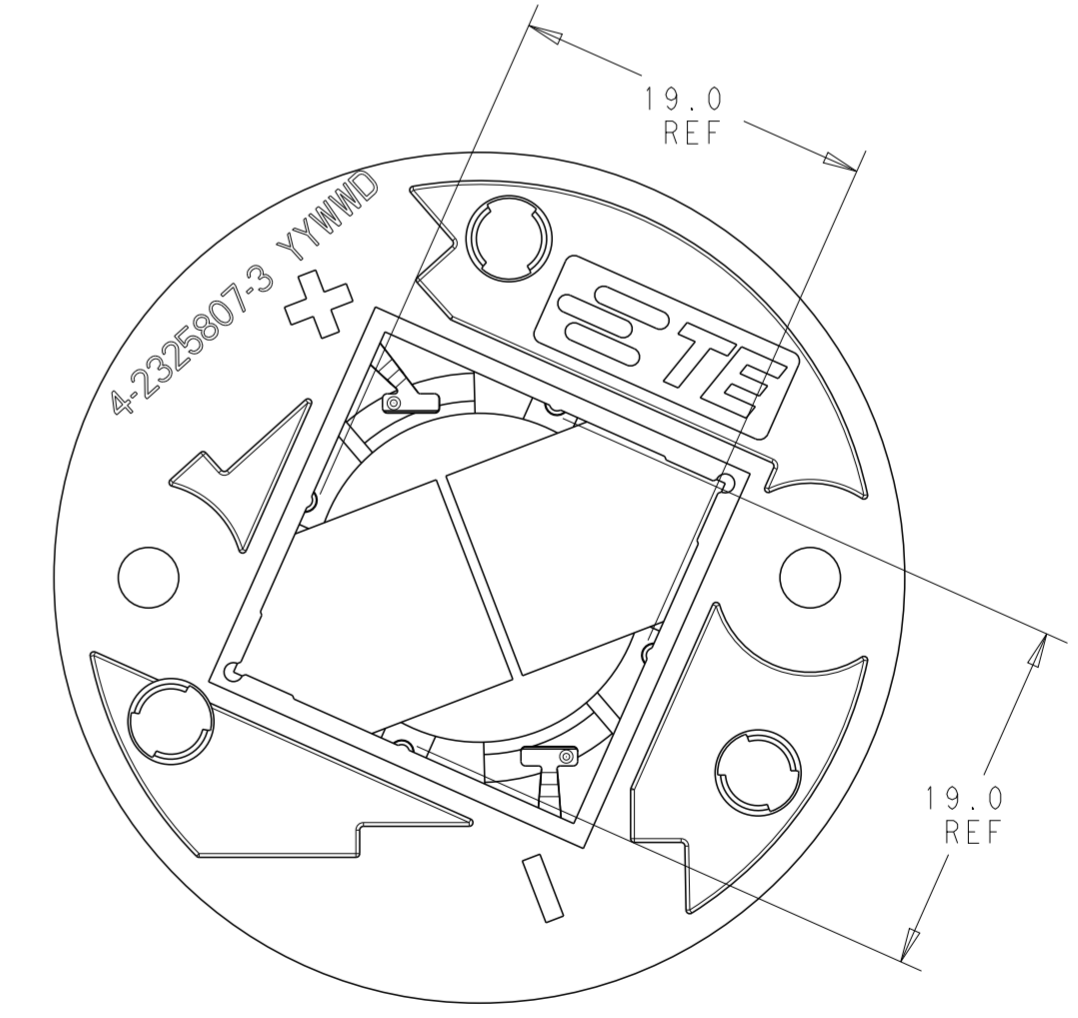
REVISIONS				
P	LTR	DESCRIPTION	DATE	APVD
-	-	SEE SHEET 1	-	-



SECTION Y-Y
4-2325807-2 SHOWN



SECTION V-V
4-2325807-3 SHOWN

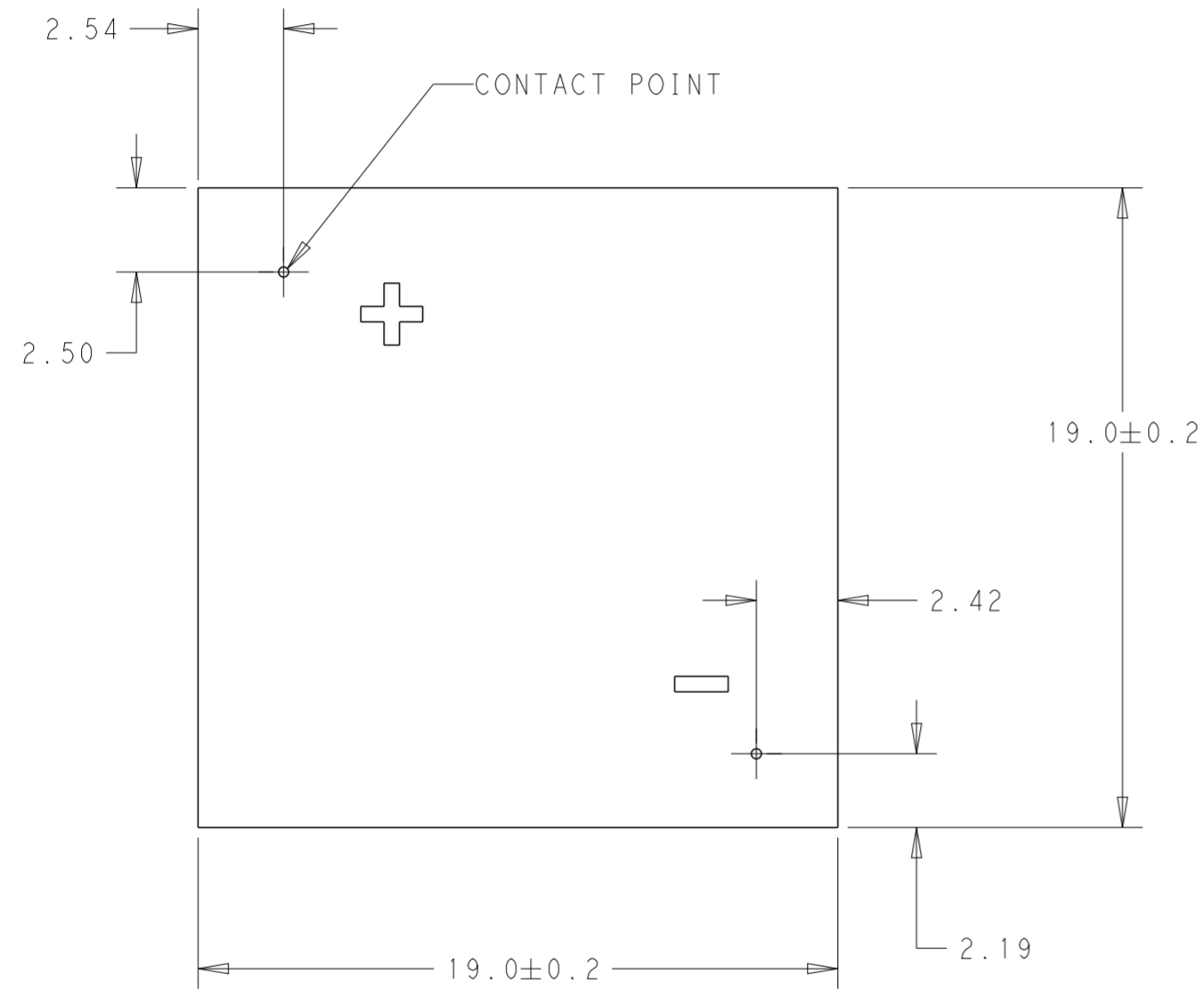


THIS DRAWING IS A CONTROLLED DOCUMENT.		DWN C. DAILY 18DEC2017	STE TE Connectivity	
		CHK J. LATORRE 18DEC2017		
DIMENSIONS:	TOLERANCES UNLESS OTHERWISE SPECIFIED:	APVD -	NAME LED HOLDER, 19x19 LUMAWISE Z45 LED	
mm	0 PLC ± 1 PLC ±0.2 2 PLC ±0.13 3 PLC ± 4 PLC ±	PRODUCT SPEC 108-133062	SIZE -	
	ANGLES ±2°	APPLICATION SPEC 114-133107	CAGE CODE A200779	DRAWING NO C-2325807
MATERIAL	FINISH -	WEIGHT -	RESTRICTED TO -	
		CUSTOMER DRAWING	SCALE 2:1	SHEET 3 OF 4
			REV B4	

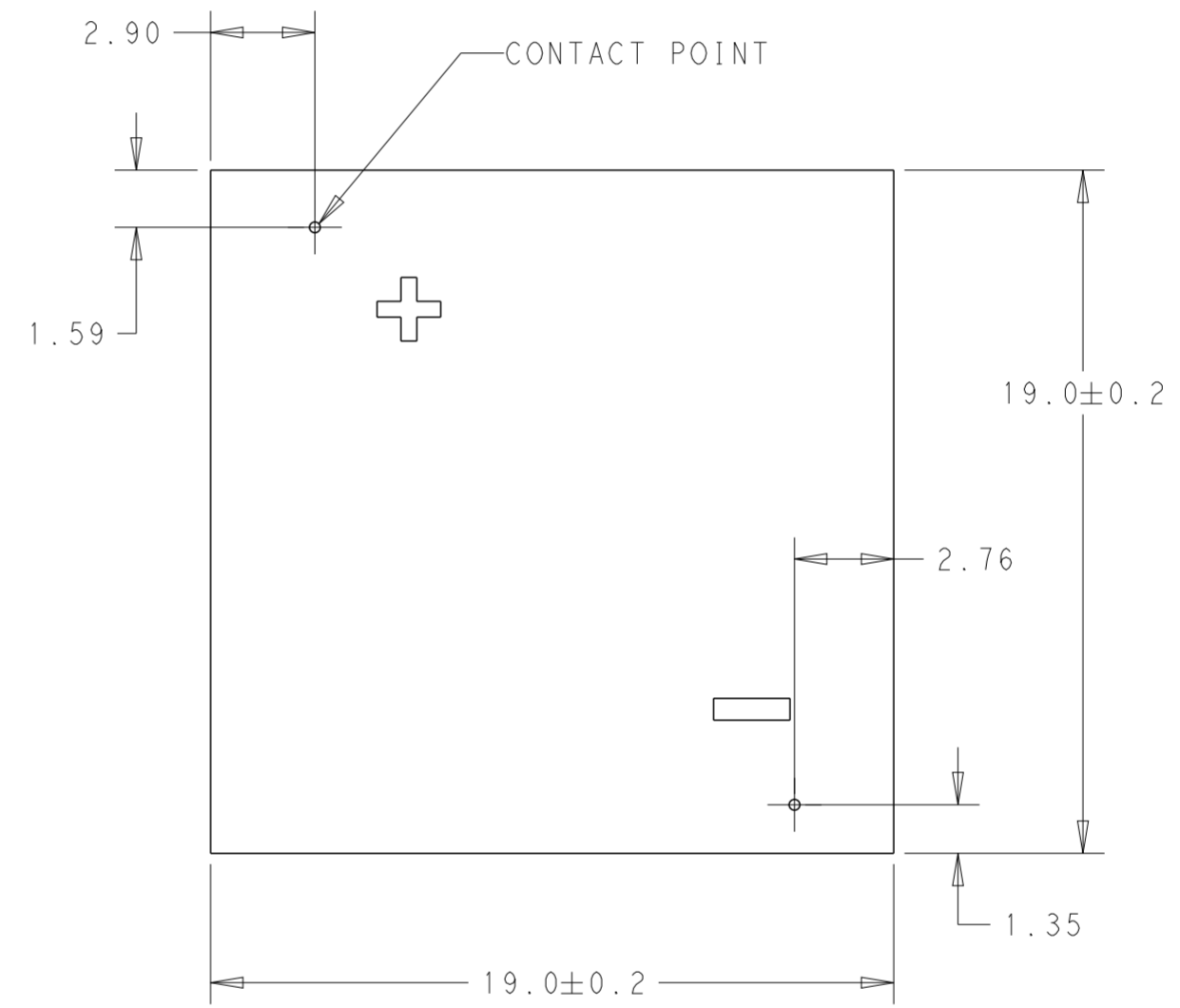
THIS DRAWING IS UNPUBLISHED. RELEASED FOR PUBLICATION 20
 © COPYRIGHT 20 BY - ALL RIGHTS RESERVED.

REVISIONS				
P	LTR	DESCRIPTION	DATE	APVD
-	-	SEE SHEET 1	-	-

LED SUBSTRATE LAYOUT A
TOP SIDE OF BOARD



LED SUBSTRATE LAYOUT B
TOP SIDE OF BOARD



THIS DRAWING IS A CONTROLLED DOCUMENT.		DWN C. DAILY 18DEC2017	TE Connectivity	
DIMENSIONS: mm		CHK J. LATORRE 18DEC2017		
TOLERANCES UNLESS OTHERWISE SPECIFIED:		APVD -	NAME LED HOLDER, 19x19 LUMAWISE Z45 LED	
0 PLC ±	1 PLC ±0.2	PRODUCT SPEC 108-133062	SIZE A2	CAGE CODE 00779
2 PLC ±0.13	3 PLC ±	APPLICATION SPEC 114-133107	DRAWING NO C-2325807	RESTRICTED TO -
4 PLC ±	ANGLES ±2°	WEIGHT -	SCALE 2:1 SHEET 4 OF 4 REV B4	
MATERIAL FINISH	-	CUSTOMER DRAWING		

X-ON Electronics

Largest Supplier of Electrical and Electronic Components

Click to view similar products for [LED Lighting Mounting Accessories](#) category:

Click to view products by [TE Connectivity](#) manufacturer:

Other Similar products are found below :

[C16142_HEKLA-SOCKET-K](#) [3SU1401-1BG20-1AA0](#) [3SU1900-0BC31-0NB0](#) [ES16-RT](#) [1SFA616921R2042](#) [1SFA616921R2131](#)
[1SFA616921R2133](#) [1SFA616921R2143](#) [1SFA611621R1093](#) [B8910020](#) [D3980022](#) [E3990022](#) [E3990040](#) [CABI12 E BK 1M SET PRM](#)
[FLAT8 H/U BK 1M SET PRM](#) [BEGTIN12 J/S BK 1M SET PRM](#) [1-2213678-6](#) [C16791_CLAMP-Z45-A](#) [F17250_SOLDER-CLIP-A](#) [CM22-](#)
[4-20MA](#) [CM22-R10K-MT](#) [CM22-R1K](#) [CM22-R50K](#) [CM22-R5K-MT](#) [CM22-SLR](#) [10465](#) [M22-A](#) [M22-CK11](#) [M22-CK20](#) [M22G-XGPV](#)
[M22-K01](#) [M22-LCH-W](#) [M22-LC-R](#) [M22-LED230-R](#) [M22-LED230-W](#) [M22-LEDC230-G](#) [M22-LEDC-G](#) [M22-LEDC-W](#) [M22-LED-G](#)
[M22-LED-W](#) [M22-L-G](#) [M22-LH-G](#) [M22-LH-R](#) [M22-LH-W](#) [M22-L-R](#) [M22-L-W](#) [M22-L-X](#) [M22-R10K](#) [M22-R1K](#) [M22-R470K](#)