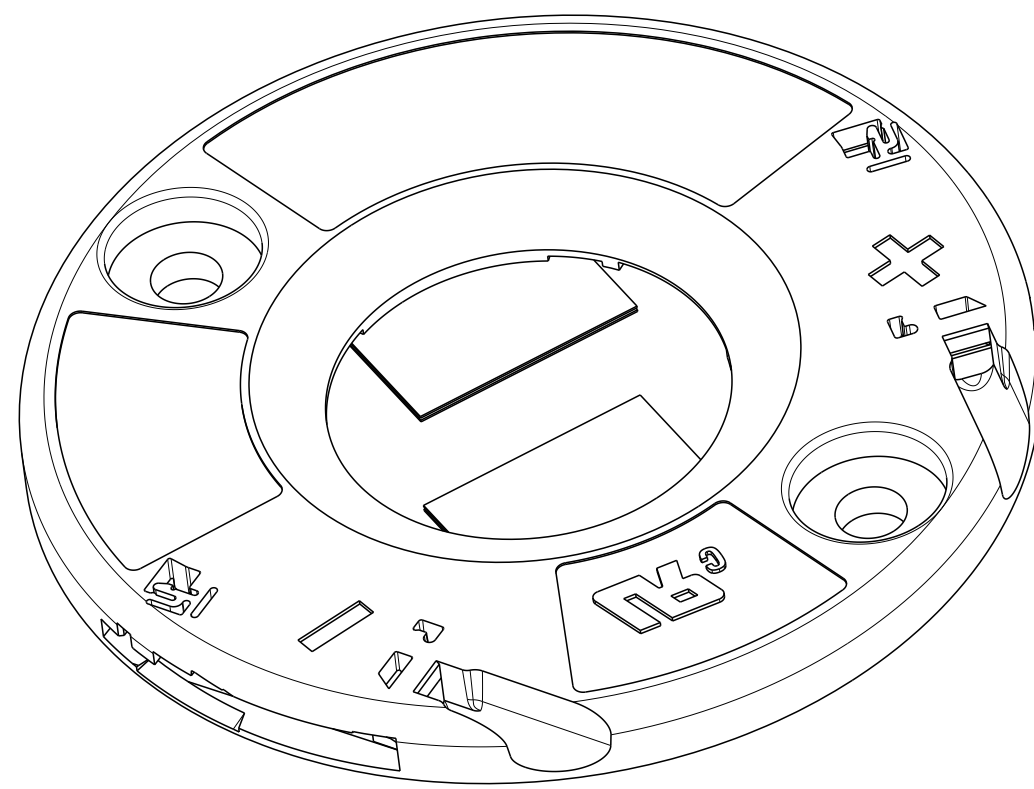


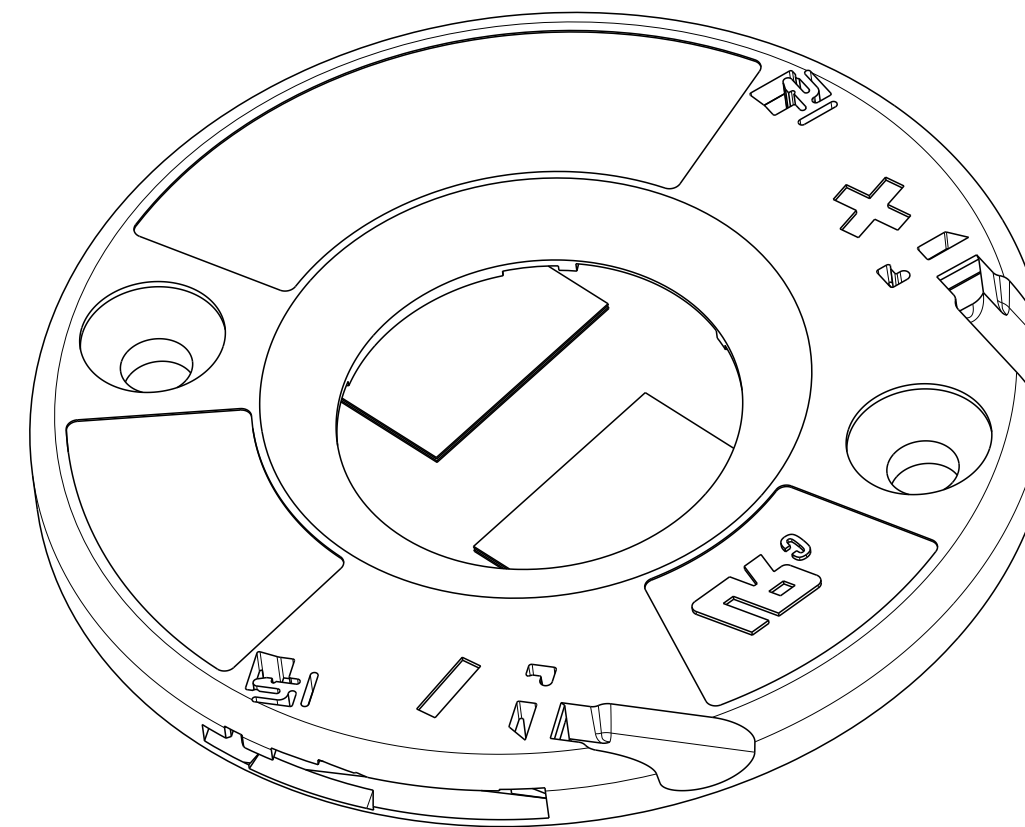
THIS DRAWING IS UNPUBLISHED. RELEASED FOR PUBLICATION 20  
 © COPYRIGHT 20 BY - ALL RIGHTS RESERVED.

REVISIONS				
P	LTR	DESCRIPTION	DATE	APVD
B1		ECR-19-013004	26AUG2019	SR JL
B2		ECR-20-000233	13JAN2020	SB JL
B3		ECR-20-000836	23JAN2020	SB JL
B4		ECR-20-002949	02MAR2020	SR JL

- 1 MATERIALS:  
 HOLDER: PBT ,COLOR: NATURAL;  
 CONTACTS: COPPER ALLOY, Au/Ni PLATING (LED INTERFACE)
2. FOR SOLID, FUSED AND STRANDED CONDUCTOR WIRE TYPES AWG 18 AND 20
3. WIRE STRIP LENGTH: 11-12mm
4. MAX. WIRE INSULATION OUTER DIA:  $\varnothing 2,3\text{mm}$
5. RECOMMENDED SCREW TORQUE: SEE APPLICATION SPECIFICATION 114-133107.
6. SCREWS TO BE USED: M3, #4-40
7. LED MATING ON 2 CORNERS WITH ADHESIVE TAPE 3M 9472LE 300LSE.
- 8 LAYOUTS ON SHEET 3
9. FOR COB-TO-HOLDER CROSS REFERENCE, REFER TO APPLICATION SPECIFICATION 114-32208



PAN HEAD  
SCALE 3:1



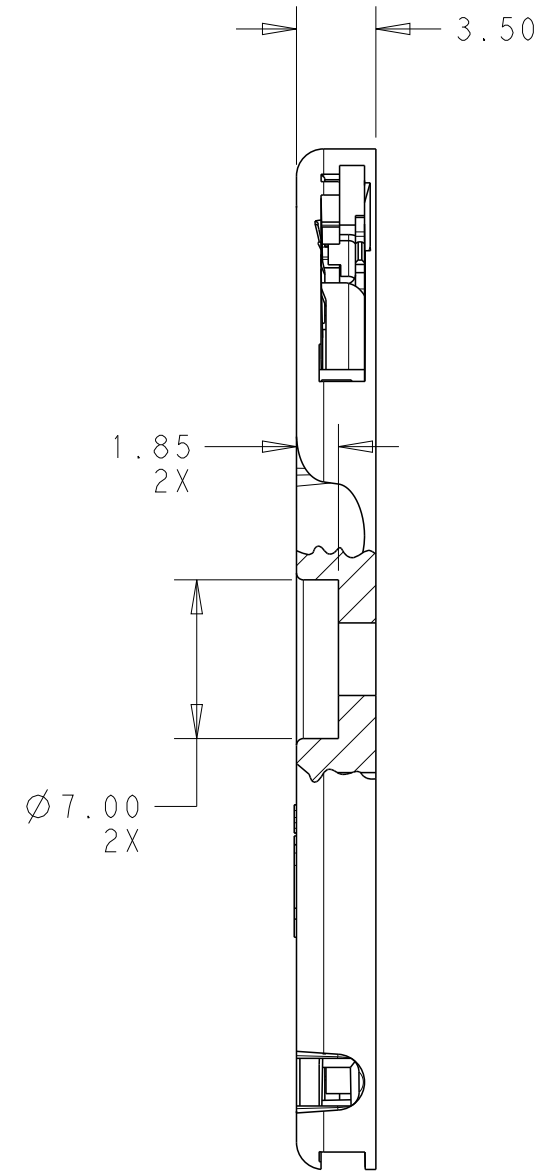
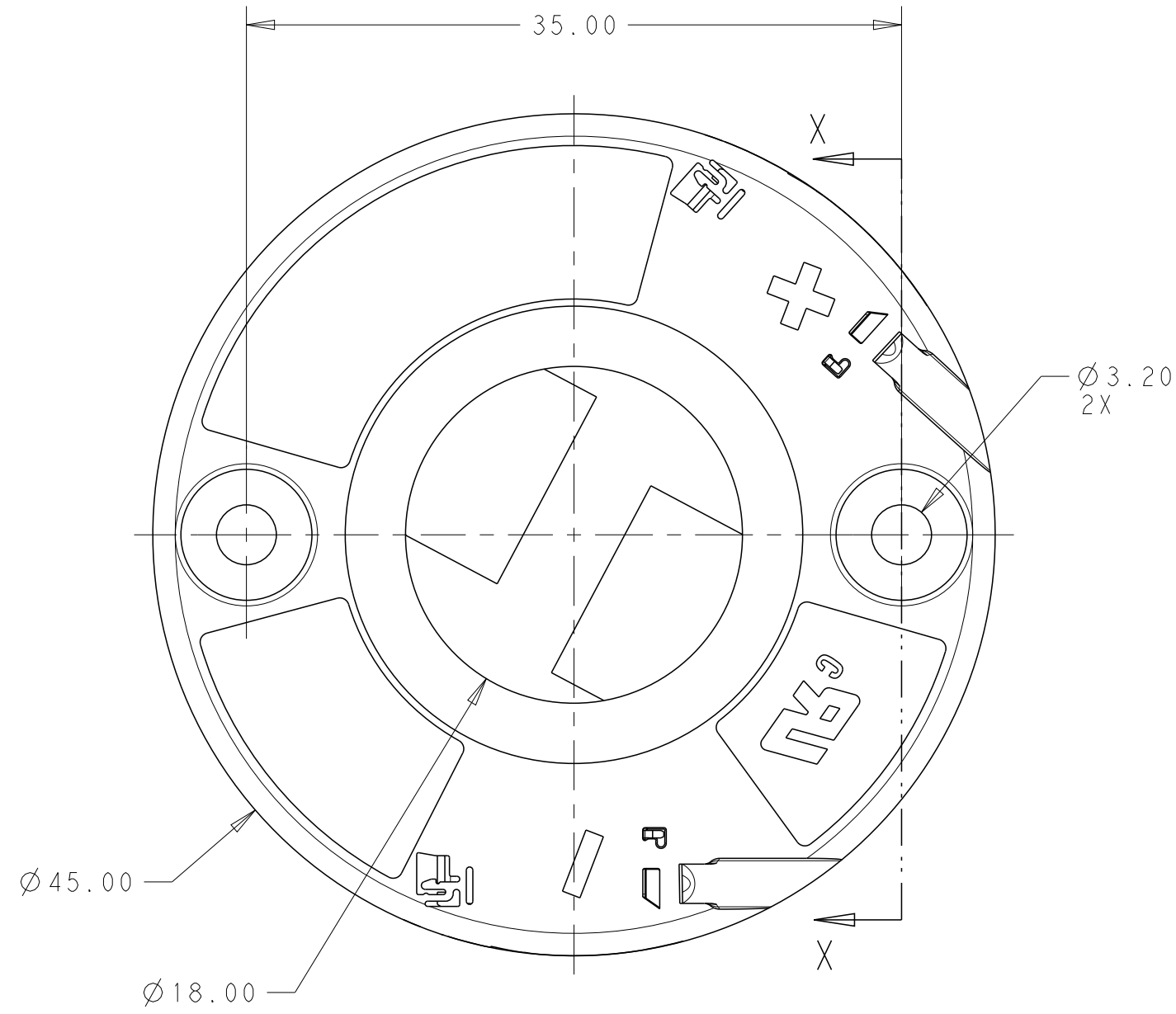
COUNTERSINK  
SCALE 3:1

A	PAN HEAD	4-2325811-2
C	COUNTERSINK	3-2325811-1
C	PAN HEAD	2-2325811-1
B	COUNTERSINK	1-2325811-3
B	PAN HEAD	2325811-3
A	COUNTERSINK	1-2325811-2
A	PAN HEAD	2325811-2
LED LAYOUT 8		DESCRIPTION PART NO.

THIS DRAWING IS A CONTROLLED DOCUMENT.		DWN	20DEC2017	TE Connectivity	
DIMENSIONS:		CHK	C. DAILY		
TOLERANCES UNLESS OTHERWISE SPECIFIED:		CHK	J. LATORRE		
mm	0 PLC ±	APVD	-	NAME	LED HOLDER, 20x24
	1 PLC ±0.2	PRODUCT SPEC	-	NAME	LUMAWISE Z45 LED
	2 PLC ±0.13	APPLICATION SPEC	108-133062	SIZE	
	3 PLC ±	APPLICATION SPEC	114-133107	CAGE CODE	A200779
	4 PLC ±	WEIGHT	-	DRAWING NO	C-2325811
	ANGLES ±2°	CUSTOMER DRAWING		RESTRICTED TO	-
	FINISH	SCALE	3:1	SHEET	1 OF 4
MATERIAL				REV	B4

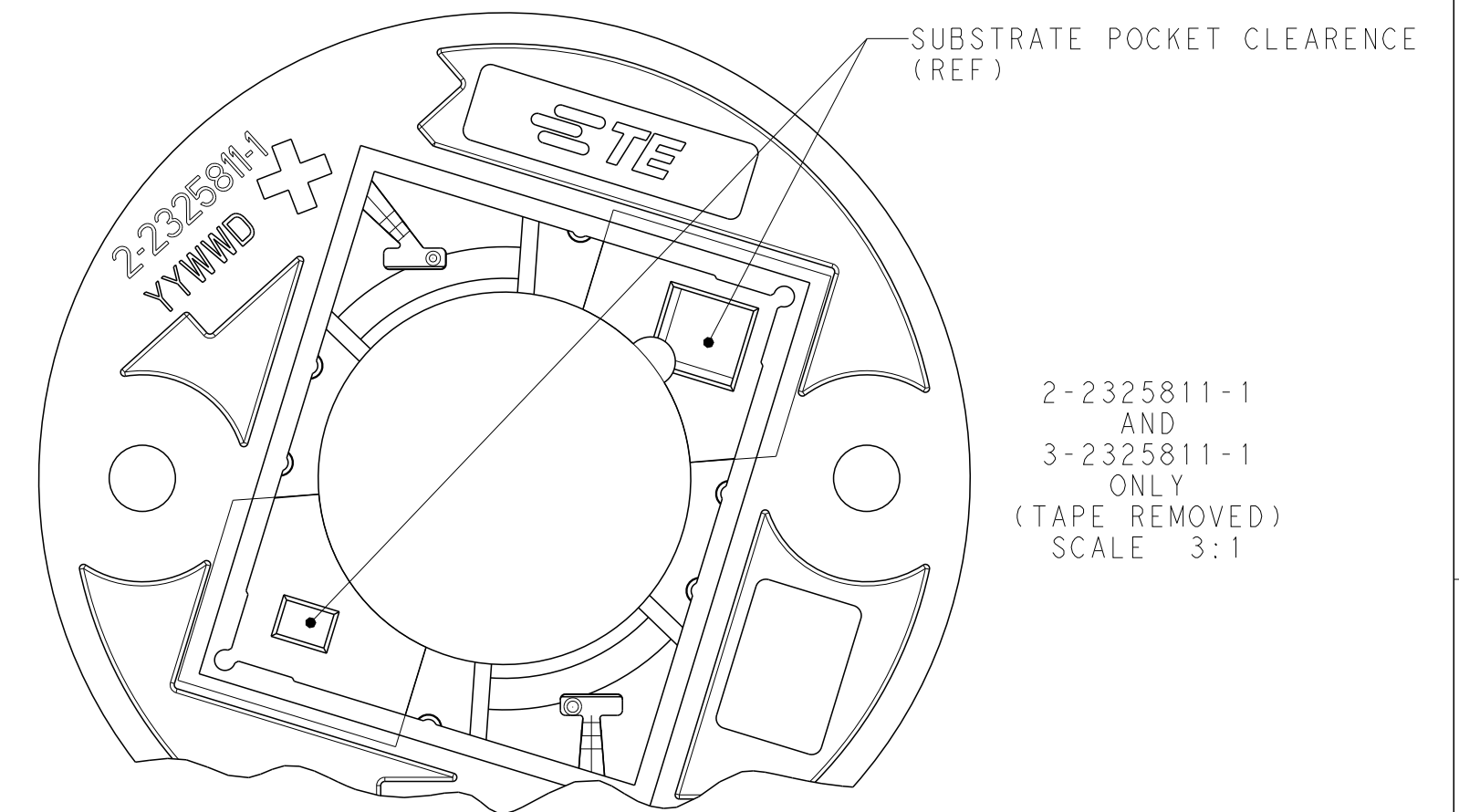
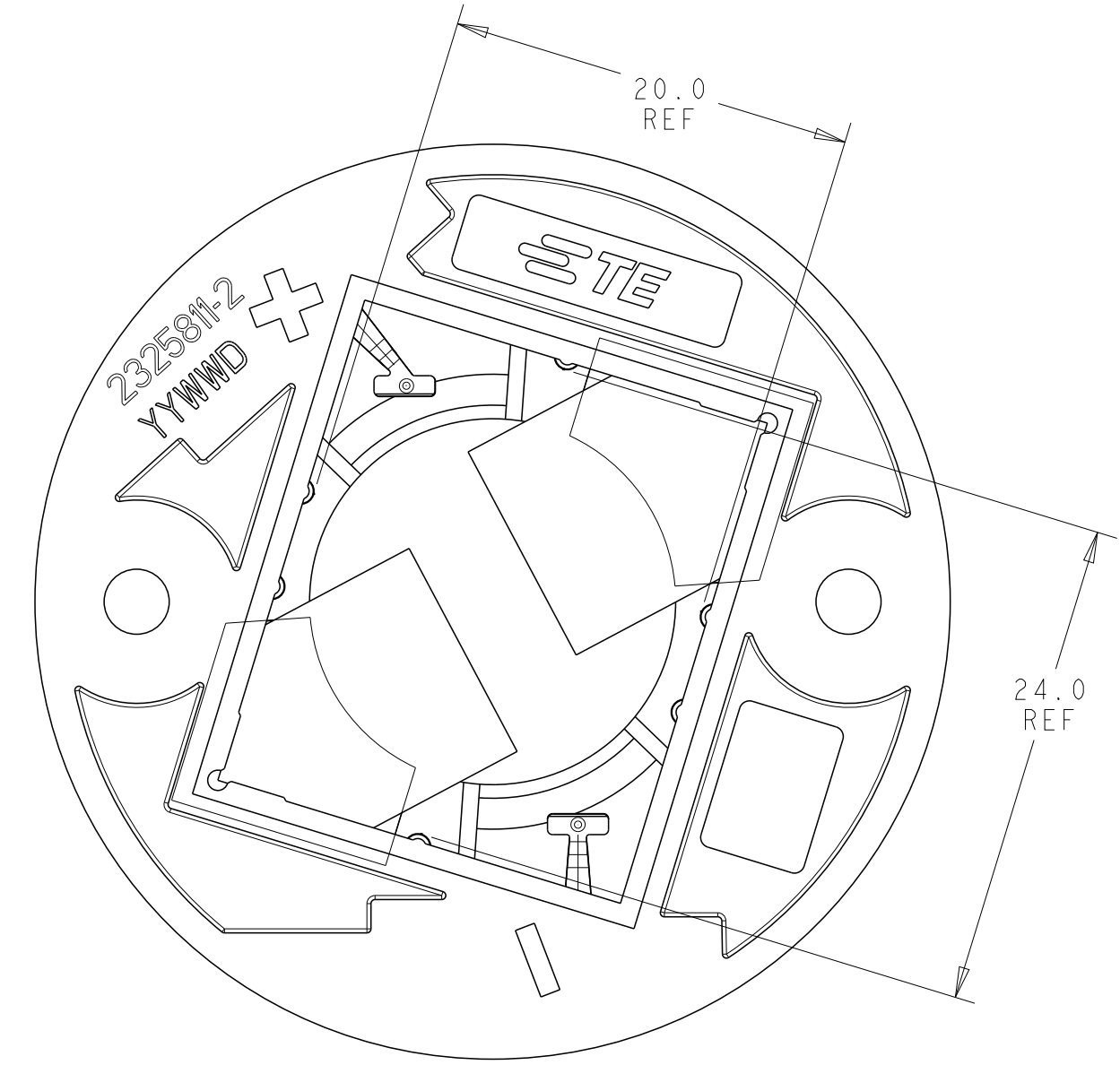
THIS DRAWING IS UNPUBLISHED. RELEASED FOR PUBLICATION 20  
 © COPYRIGHT 20 BY - ALL RIGHTS RESERVED.

REVISIONS				
P	LTR	DESCRIPTION	DATE	APVD
-	-	SEE SHEET 1	-	-

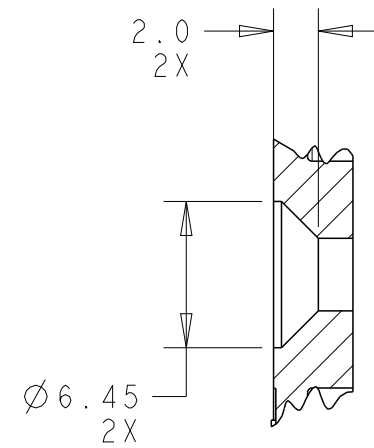


SECTION X - X

2325811-2 SHOWN  
SCALE 3:1



2-2325811-1  
AND  
3-2325811-1  
ONLY  
(TAPE REMOVED)  
SCALE 3:1

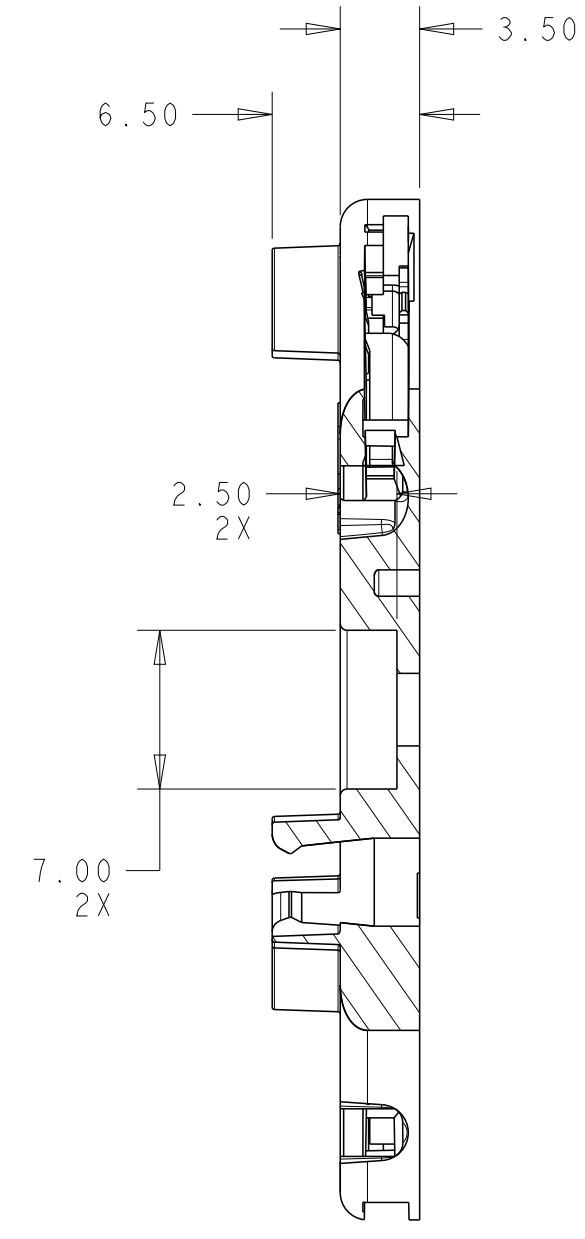
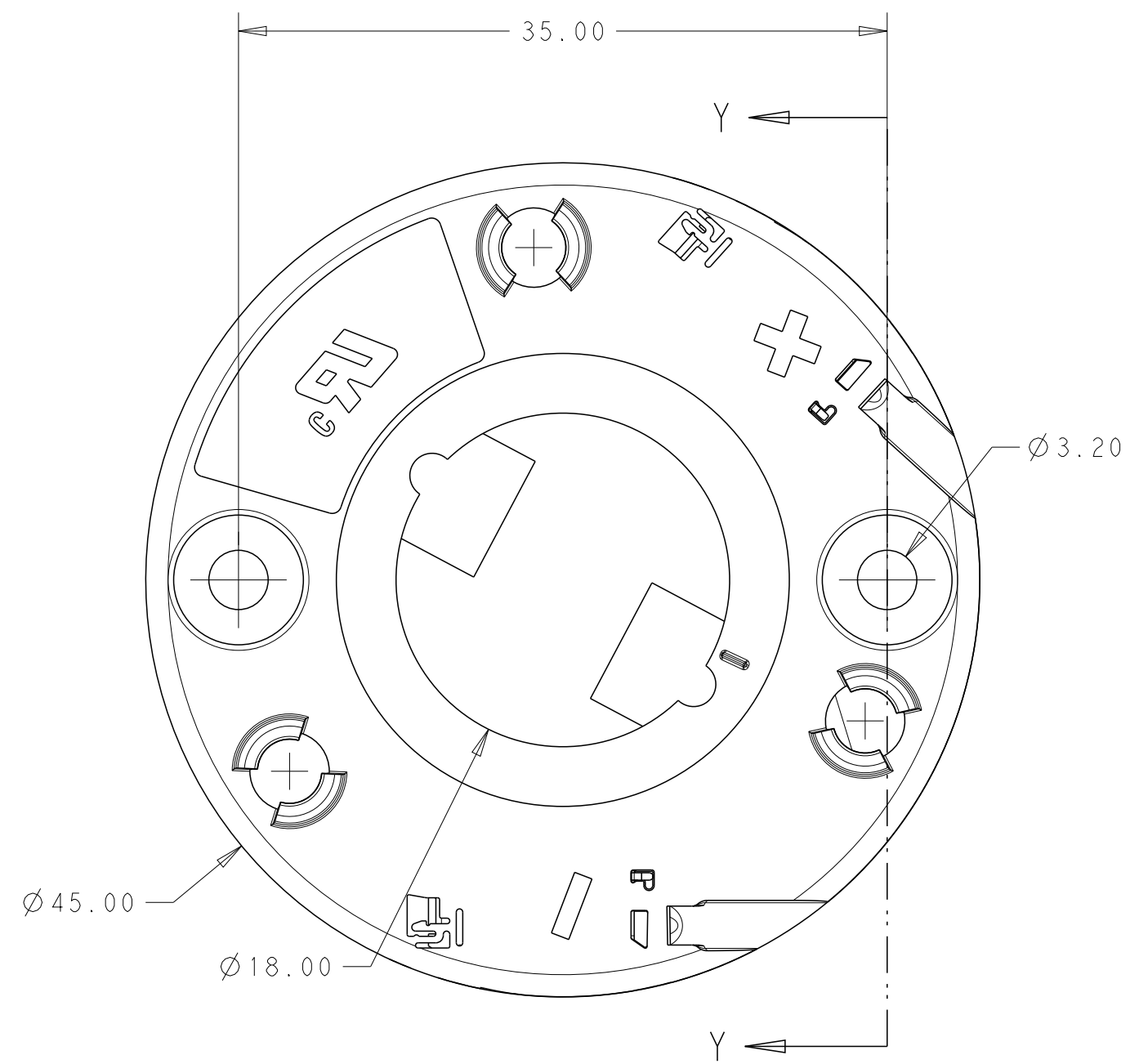


SECTION X - X  
1-2325811-2 SHOWN  
SCALE 3:1

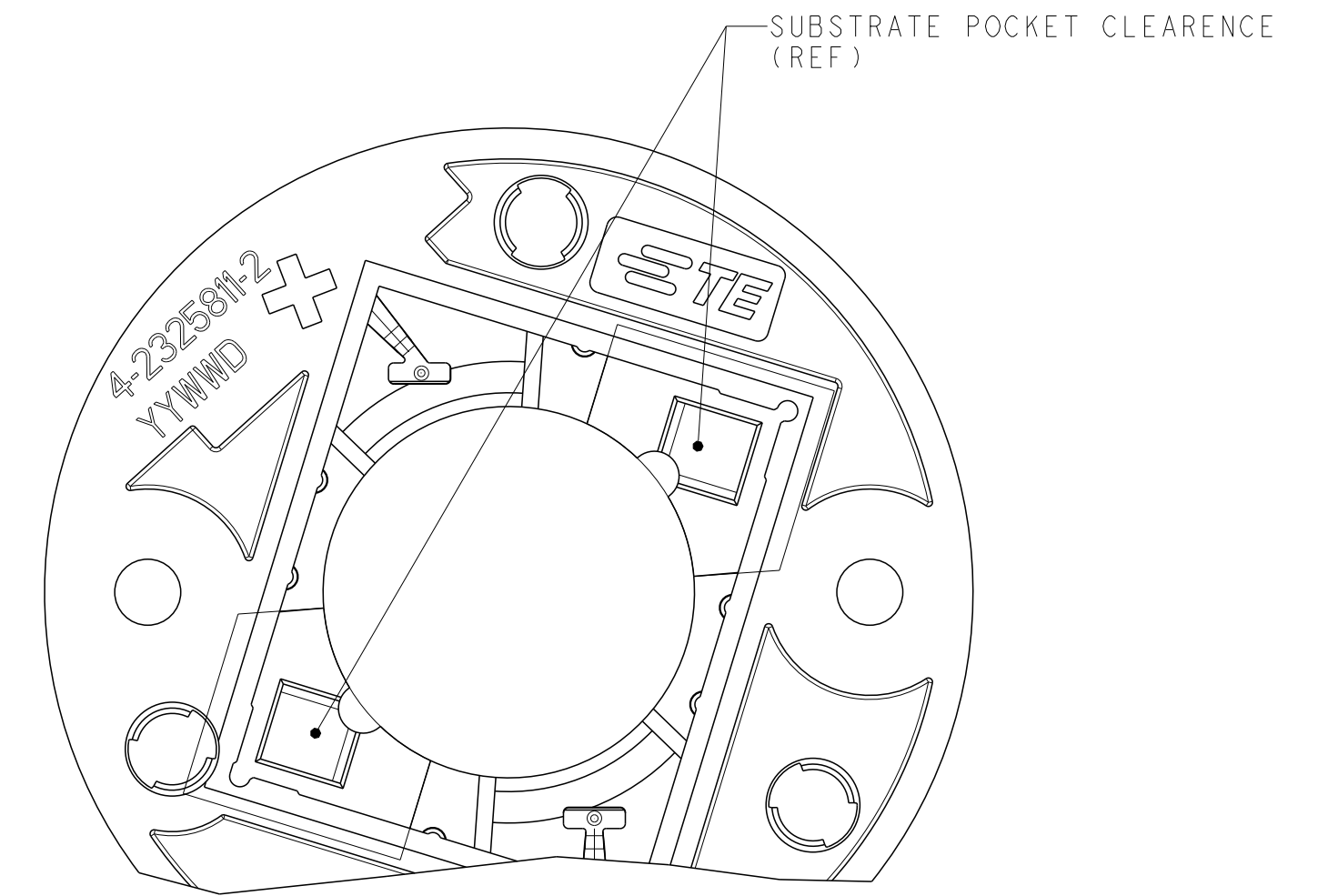
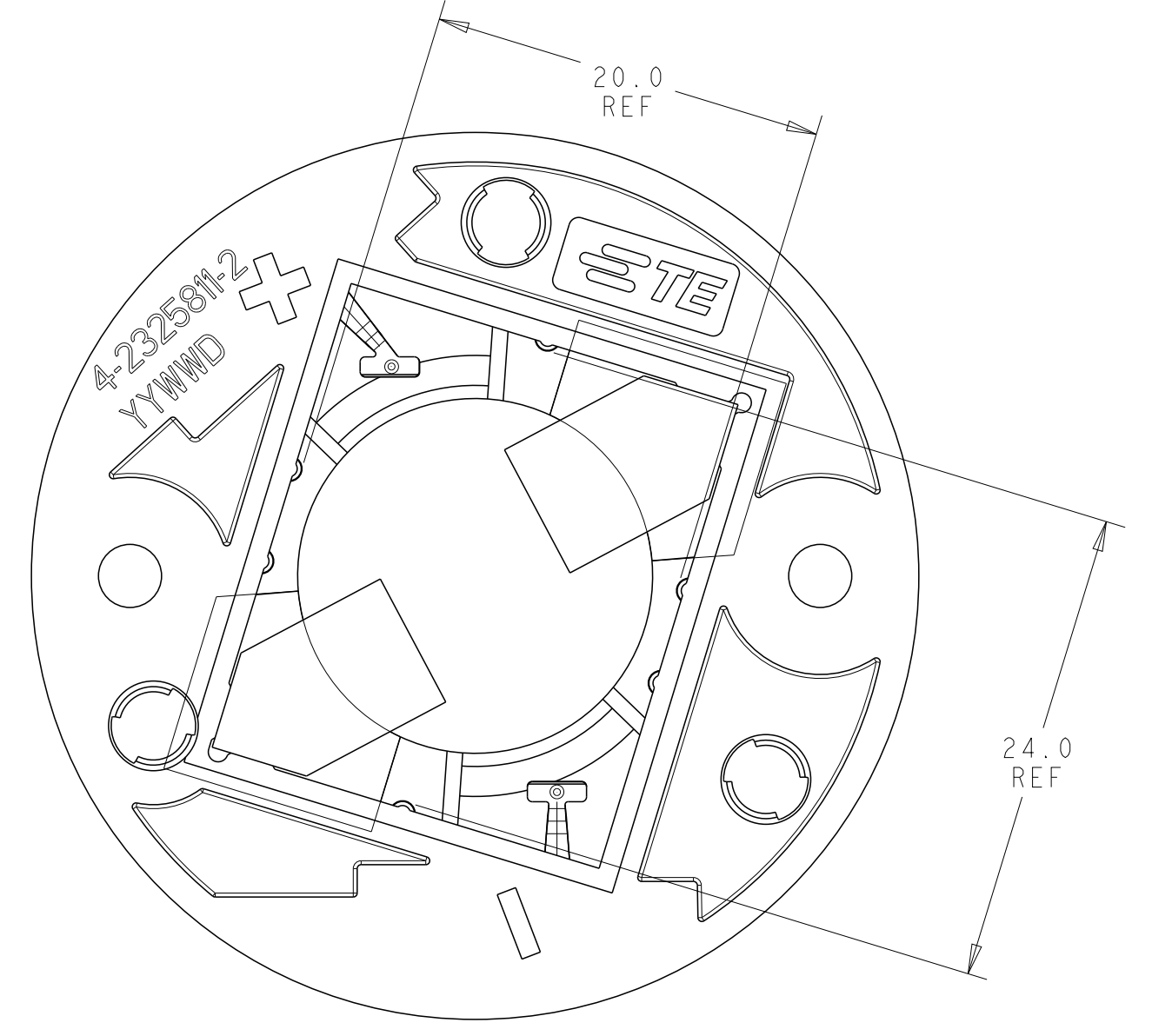
THIS DRAWING IS A CONTROLLED DOCUMENT.		DWN C. DAILY 20DEC2017	TE Connectivity	
		CHK J. LATORRE 20DEC2017		
DIMENSIONS: mm		APVD -	NAME LED HOLDER, 20x24 LUMAWISE Z45 LED	
TOLERANCES UNLESS OTHERWISE SPECIFIED: 0 PLC ± 1 PLC ±0.2 2 PLC ±0.13 3 PLC ± 4 PLC ± ANGLES ±2° FINISH		PRODUCT SPEC 108-133062	RESTRICTED TO -	
MATERIAL -		APPLICATION SPEC 114-133107	SIZE A200779	DRAWING NO C-2325811
		WEIGHT -	SCALE 3:1	SHEET 2 OF 4
		CUSTOMER DRAWING	REV B4	

THIS DRAWING IS UNPUBLISHED. RELEASED FOR PUBLICATION 20  
 © COPYRIGHT 20 BY - ALL RIGHTS RESERVED.

REVISIONS					
P	LTR	DESCRIPTION	DATE	DWN	APVD
-	-	SEE SHEET 1	-	-	-



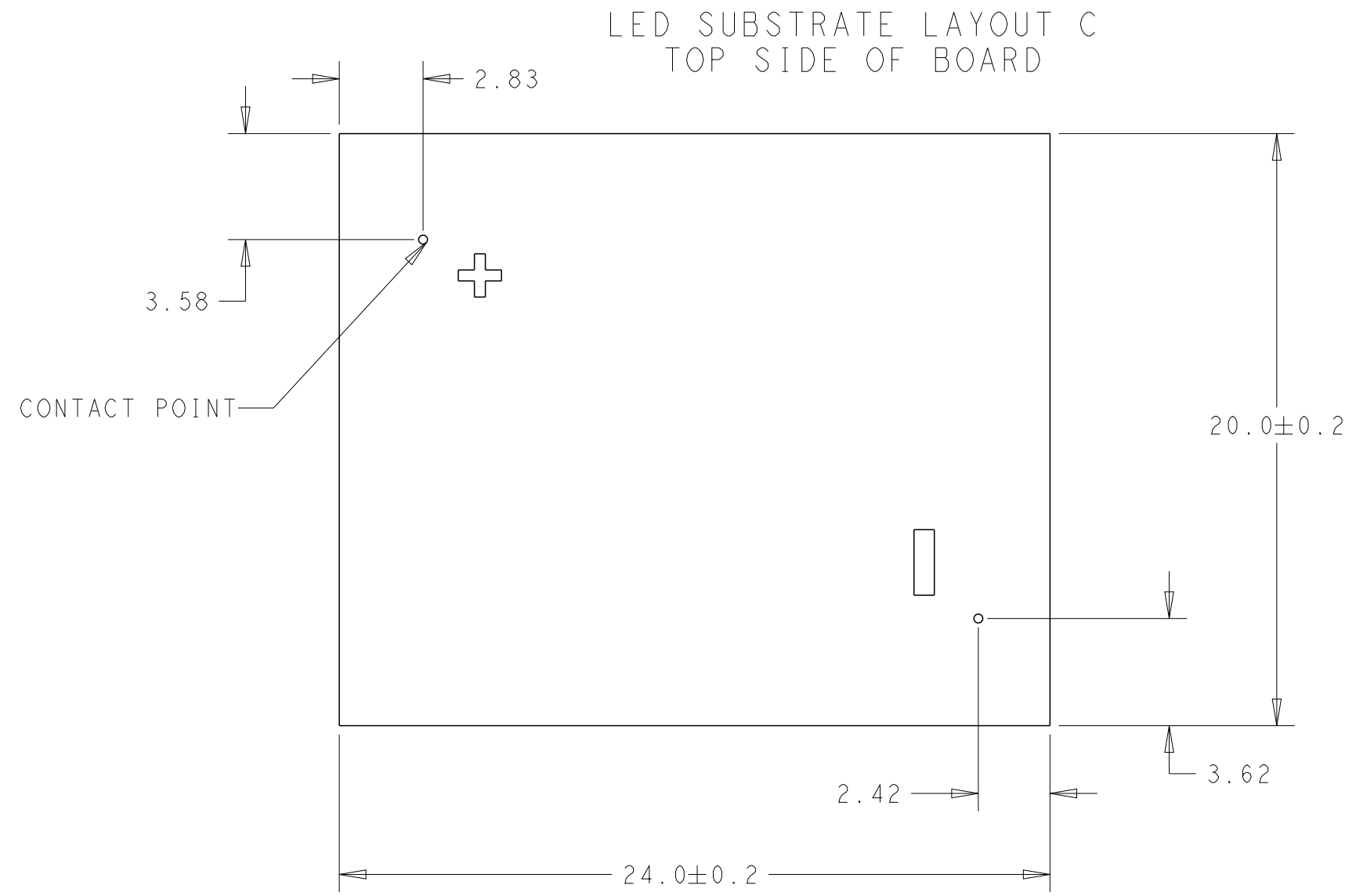
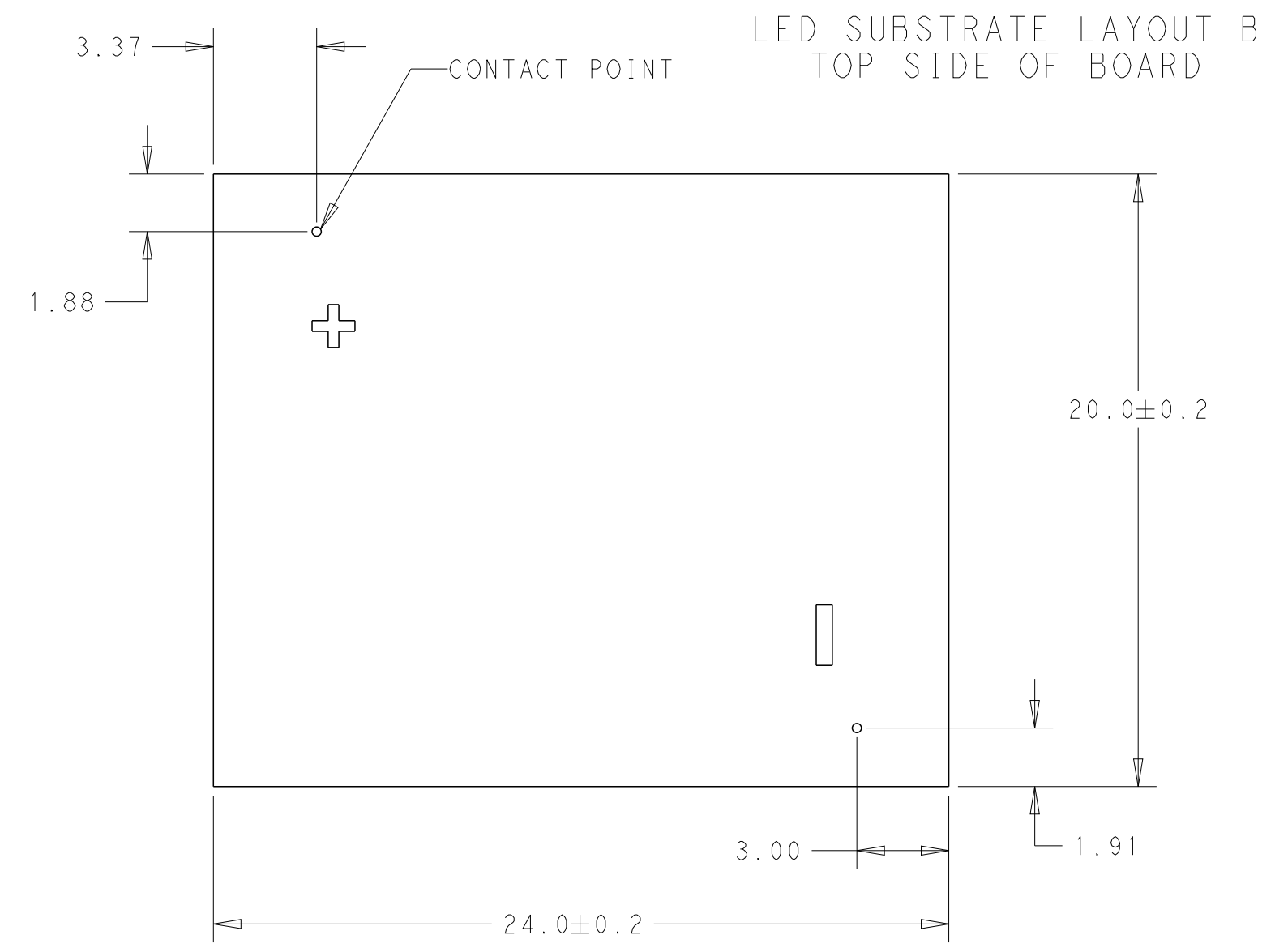
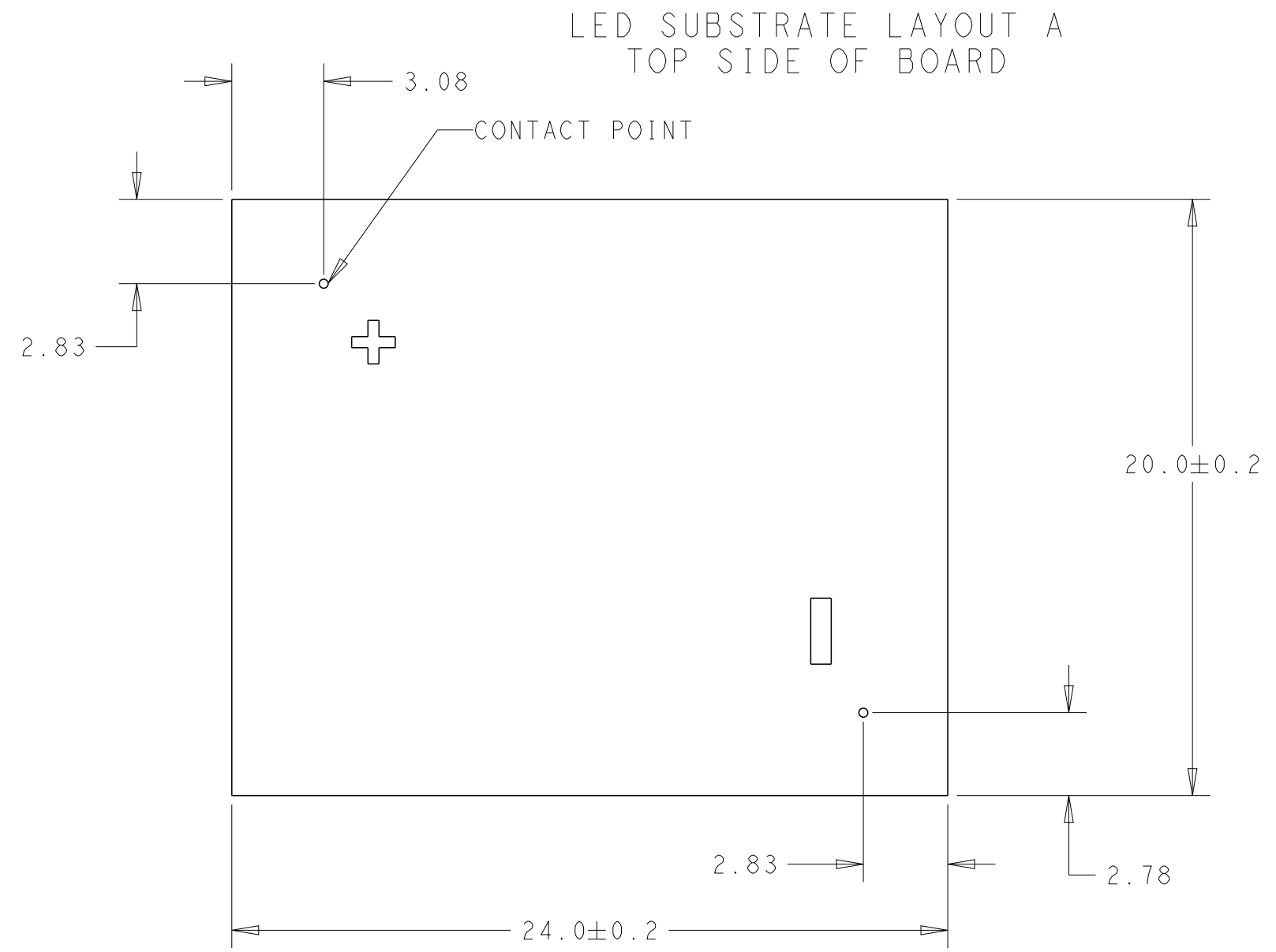
SECTION Y-Y  
4-2325811-2 AS SHOWN



THIS DRAWING IS A CONTROLLED DOCUMENT.		DWN C. DAILY 20DEC2017	<b>STE</b> TE Connectivity	
		CHK J. LATORRE 20DEC2017		
DIMENSIONS:	TOLERANCES UNLESS OTHERWISE SPECIFIED:	APVD -	NAME LED HOLDER, 20x24 LUMAWISE Z45 LED	
mm	0 PLC ± 1 PLC ±0.2 2 PLC ±0.13 3 PLC ± 4 PLC ±	PRODUCT SPEC 108-133062	SIZE -	
	ANGLES ±2°	APPLICATION SPEC 114-133107	CAGE CODE A200779	DRAWING NO C-2325811
MATERIAL -	FINISH -	WEIGHT -	RESTRICTED TO -	
		CUSTOMER DRAWING	SCALE 3:1	SHEET 3 OF 4
				REV B4

THIS DRAWING IS UNPUBLISHED. RELEASED FOR PUBLICATION 20  
 © COPYRIGHT 20 BY - ALL RIGHTS RESERVED.

REVISIONS				
P	LTR	DESCRIPTION	DATE	APVD
-	-	SEE SHEET 1	-	-



THIS DRAWING IS A CONTROLLED DOCUMENT.		DWN C. DAILY 20DEC2017	<b>STE</b> TE Connectivity	
		CHK J. LATORRE 20DEC2017		
DIMENSIONS: mm		TOLERANCES UNLESS OTHERWISE SPECIFIED:		APVD -
		0 PLC ±	NAME LED HOLDER, 20x24 LUMAWISE Z45 LED	
		1 PLC ±0.2	PRODUCT SPEC 108-133062	
		2 PLC ±0.13	APPLICATION SPEC 114-133107	
		3 PLC ±	SIZE A200779	
MATERIAL -		4 PLC ±	ANGLES ±	DRAWING NO C-2325811
-		FINISH -	SCALE 3:1	RESTRICTED TO -
-			SHEET 4 OF 4	REV B4

## X-ON Electronics

Largest Supplier of Electrical and Electronic Components

*Click to view similar products for [LED Lighting Mounting Accessories](#) category:*

*Click to view products by [TE Connectivity](#) manufacturer:*

Other Similar products are found below :

[C16142\\_HEKLA-SOCKET-K](#) [3SU1401-1BG20-1AA0](#) [3SU1900-0BC31-0NB0](#) [ES16-RT](#) [1SFA616921R2042](#) [1SFA616921R2131](#)  
[1SFA616921R2133](#) [1SFA616921R2143](#) [1SFA611621R1093](#) [B8910020](#) [D3980022](#) [E3990022](#) [E3990040](#) [CABI12 E BK 1M SET PRM](#)  
[FLAT8 H/U BK 1M SET PRM](#) [BEGTIN12 J/S BK 1M SET PRM](#) [1-2213678-6](#) [C16791\\_CLAMP-Z45-A](#) [F17250\\_SOLDER-CLIP-A](#) [CM22-](#)  
[4-20MA](#) [CM22-R10K-MT](#) [CM22-R1K](#) [CM22-R50K](#) [CM22-R5K-MT](#) [CM22-SLR](#) [10465](#) [M22-A](#) [M22-CK11](#) [M22-CK20](#) [M22G-XGPV](#)  
[M22-K01](#) [M22-LCH-W](#) [M22-LC-R](#) [M22-LED230-R](#) [M22-LED230-W](#) [M22-LEDC230-G](#) [M22-LEDC-G](#) [M22-LEDC-W](#) [M22-LED-G](#)  
[M22-LED-W](#) [M22-L-G](#) [M22-LH-G](#) [M22-LH-R](#) [M22-LH-W](#) [M22-L-R](#) [M22-L-W](#) [M22-L-X](#) [M22-MS](#) [M22-R10K](#) [M22-R1K](#)