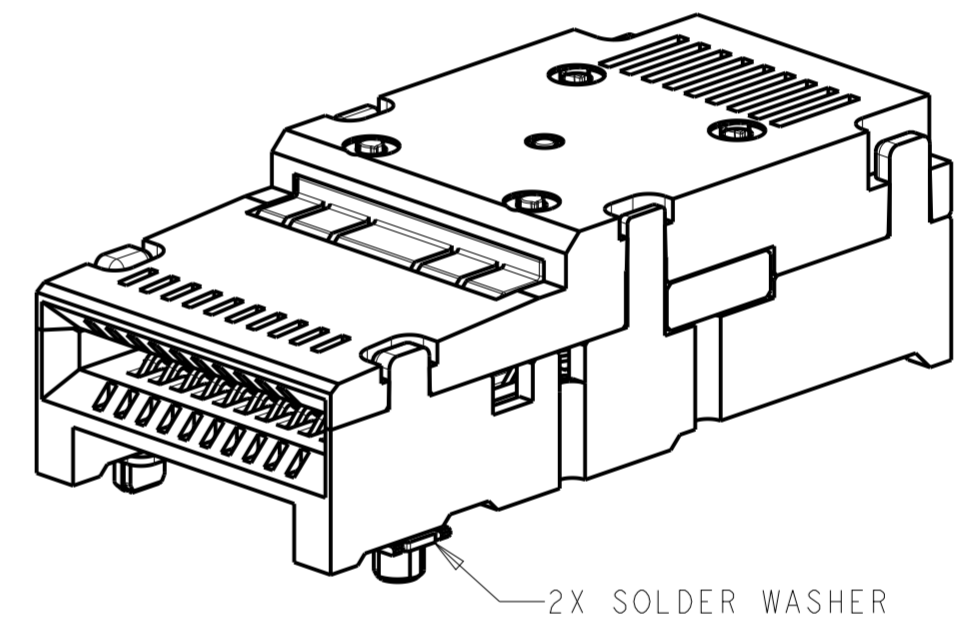
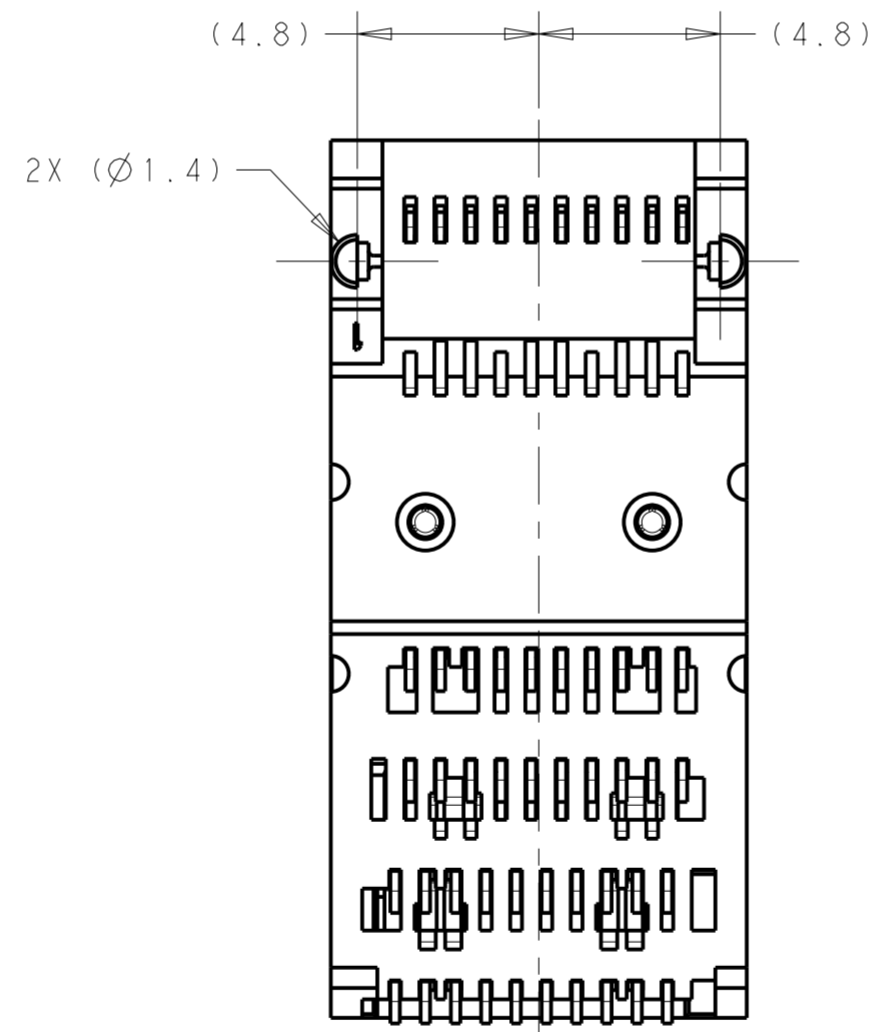
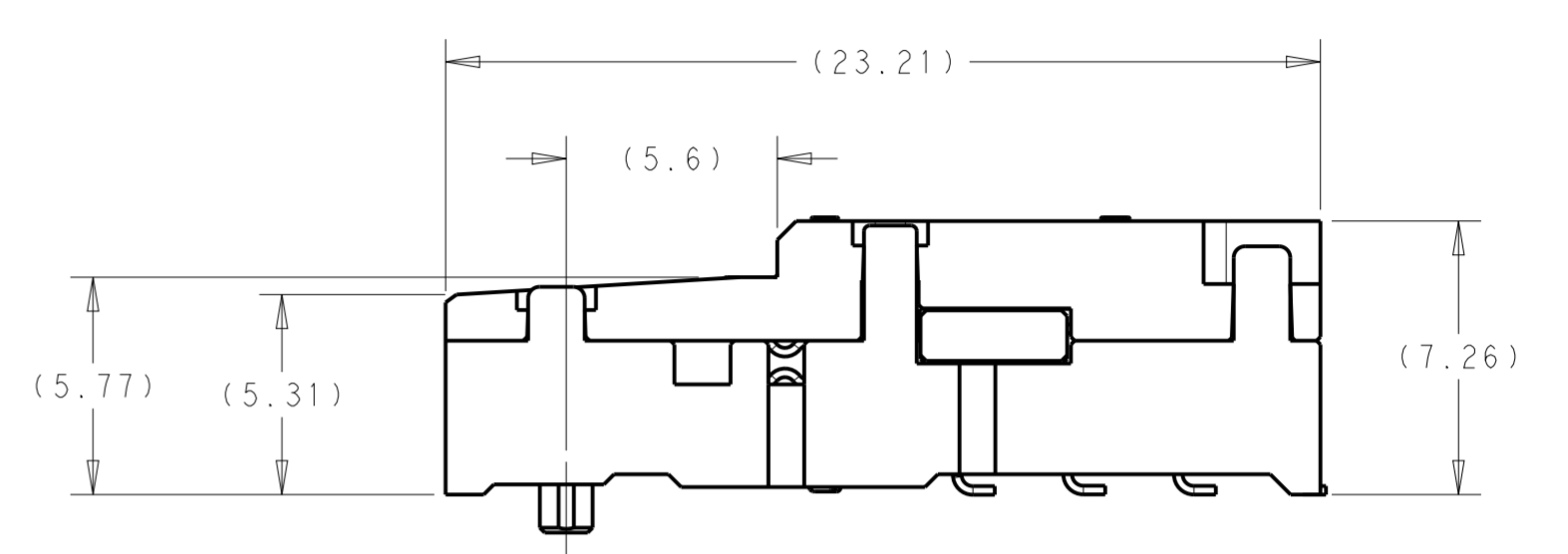
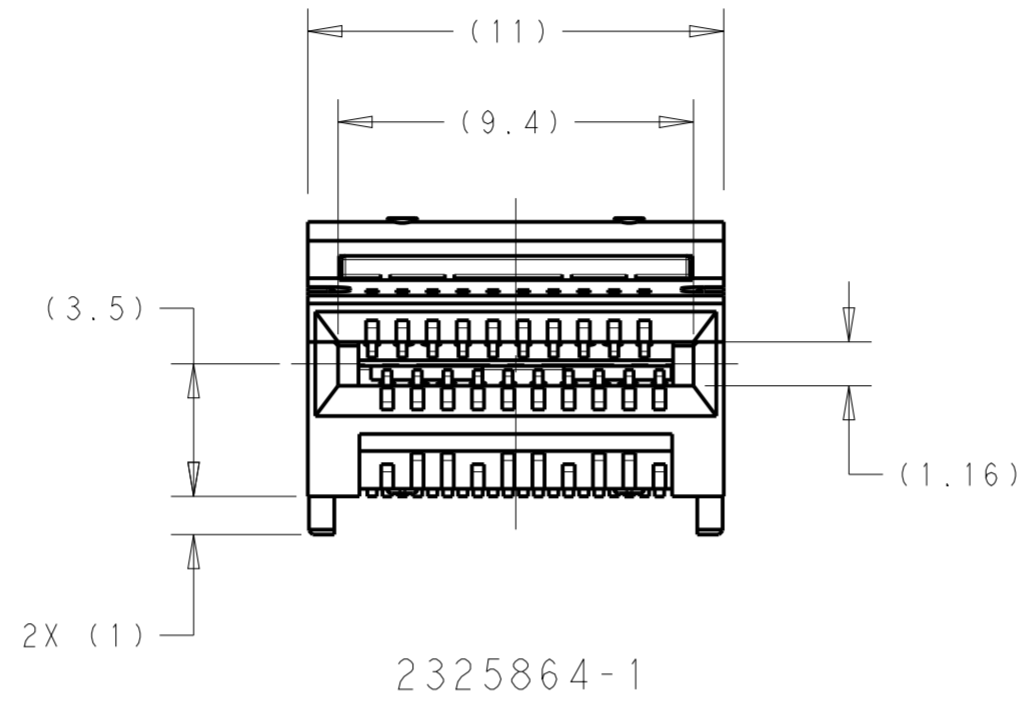
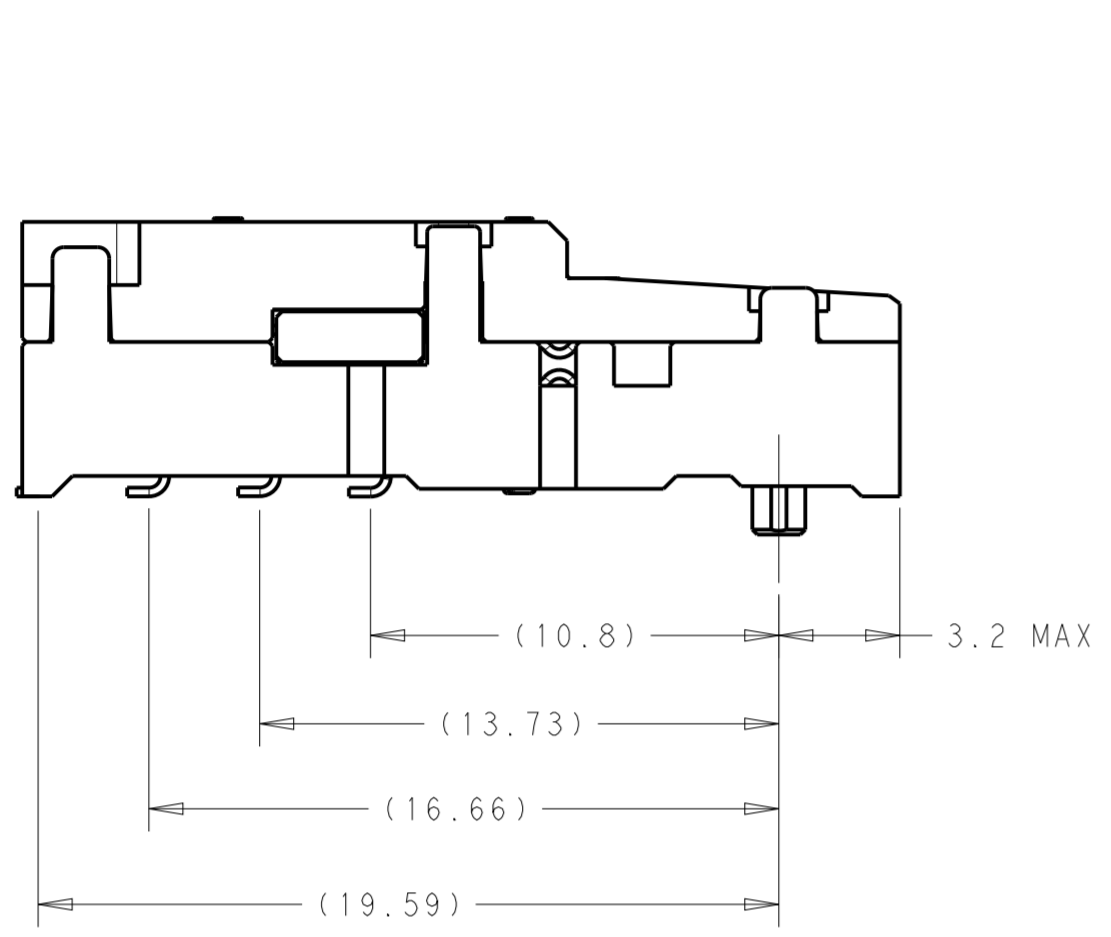


THIS DRAWING IS UNPUBLISHED. RELEASED FOR PUBLICATION 20  
 © COPYRIGHT 20 BY - ALL RIGHTS RESERVED.

REVISIONS					
P	LTR	DESCRIPTION	DATE	DWN	APVD
A		RELEASED TO PRODUCTION STATUS	14JAN2021	EDB	EDB
A1		ADDED -3 INFORMATION IN VIEW NOTES	30MAR2021	AJ	SZ



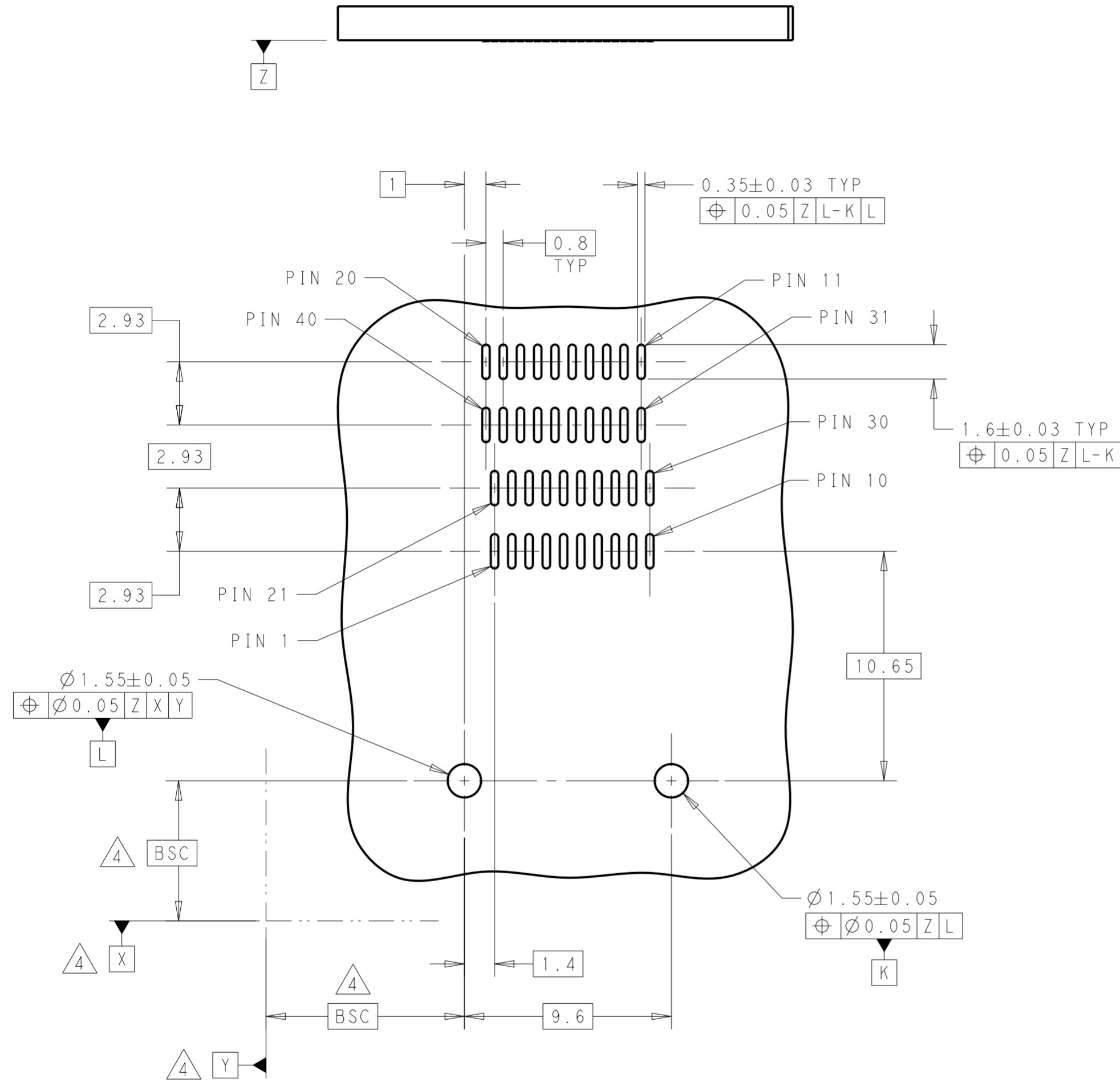
2325864-2/-3  
WITH SOLDER WASHERS

- 1 HOUSINGS AND CONTACT OVERMOLDS: LCP, BLACK, UL94-V0.  
CONTACTS: COPPER ALLOY.  
SOLDER WASHERS: NICKEL SILVER.
- 2 0.76µm GOLD PLATING ON MATING INTERFACE. TIN PLATE ON SOLDER TAILS. ALL OVER NICKEL UNDERPLATE ON ENTIRE CONTACT.
- 3. MINIMUM PC BOARD THICKNESS:  
SINGLE SIDED: 1.57 MIN  
DOUBLE SIDED: 2.20 MIN
- 4 DATUM AND BASIC DIMENSION ESTABLISHED BY CUSTOMER.

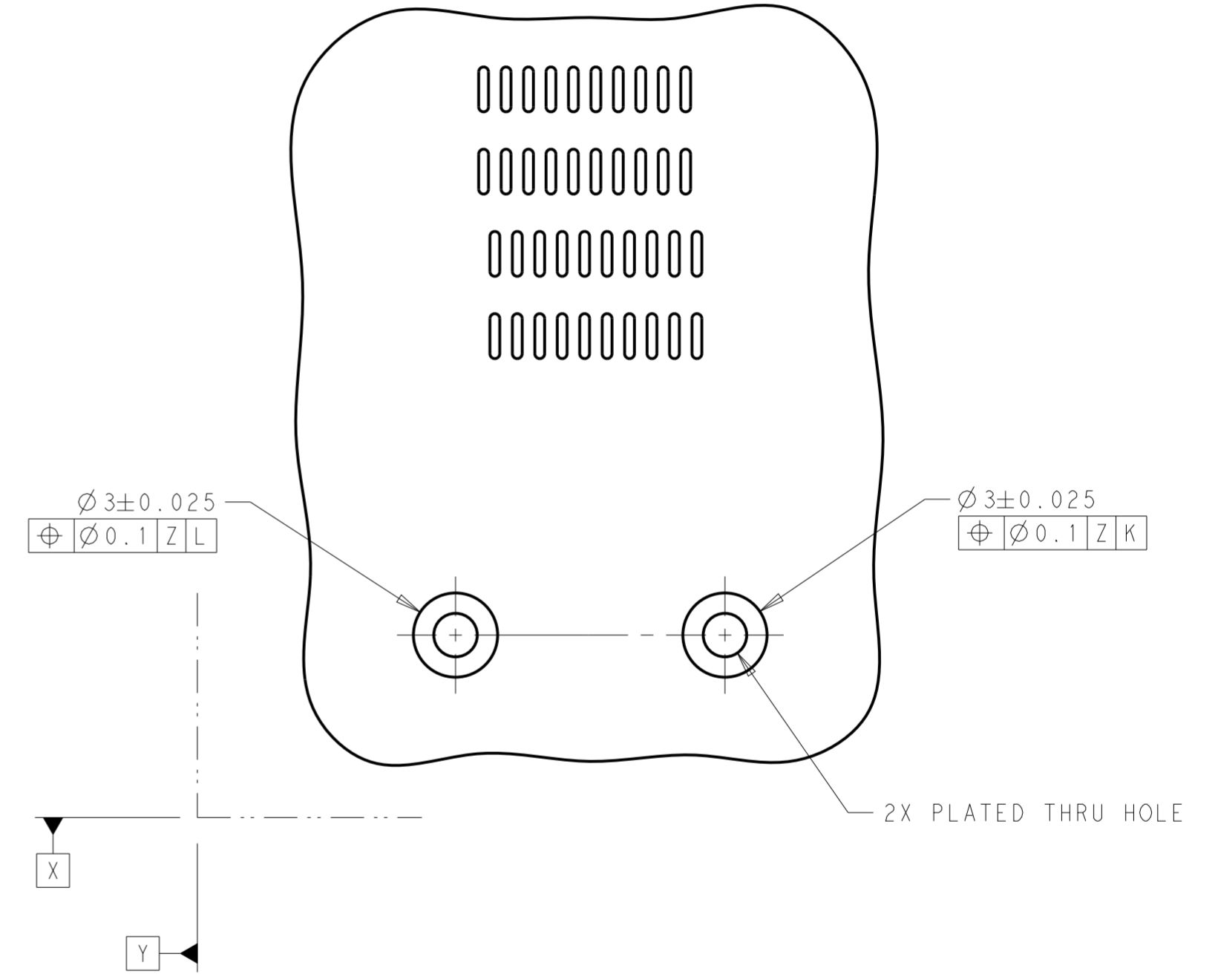
THIS DRAWING IS A CONTROLLED DOCUMENT.		DWN M. SHIRK 02AUG2018	WITH SOLDER WASHERS 2325864-3	
DIMENSIONS: mm		CHK E. BRIANT 02AUG2018	WITH SOLDER WASHERS 2325864-2	
TOLERANCES UNLESS OTHERWISE SPECIFIED:		APVD -	AS SHOWN 2325864-1	
0 PLC ±		PRODUCT SPEC 108-130026	DESCRIPTION	
1 PLC ±		APPLICATION SPEC 114-130012	PART NUMBER	
2 PLC ±		WEIGHT -	RECEPTACLE CONNECTOR, 40 POSITION, SFP DD	
3 PLC ±		MATERIAL 1	SIZE A2	CAGE CODE 00779
4 PLC ±			DRAWING NO C-2325864	RESTRICTED TO -
ANGLES ±		CUSTOMER DRAWING		SCALE 5:1
FINISH 2		SHEET 1 OF 3		REV A1

THIS DRAWING IS UNPUBLISHED. RELEASED FOR PUBLICATION 20  
 © COPYRIGHT 20 BY - ALL RIGHTS RESERVED.

REVISIONS				
P	LTR	DESCRIPTION	DATE	APVD
-	-	SEE SHEET 1	-	-



2325864-1  
RECOMMENDED PCB LAYOUT

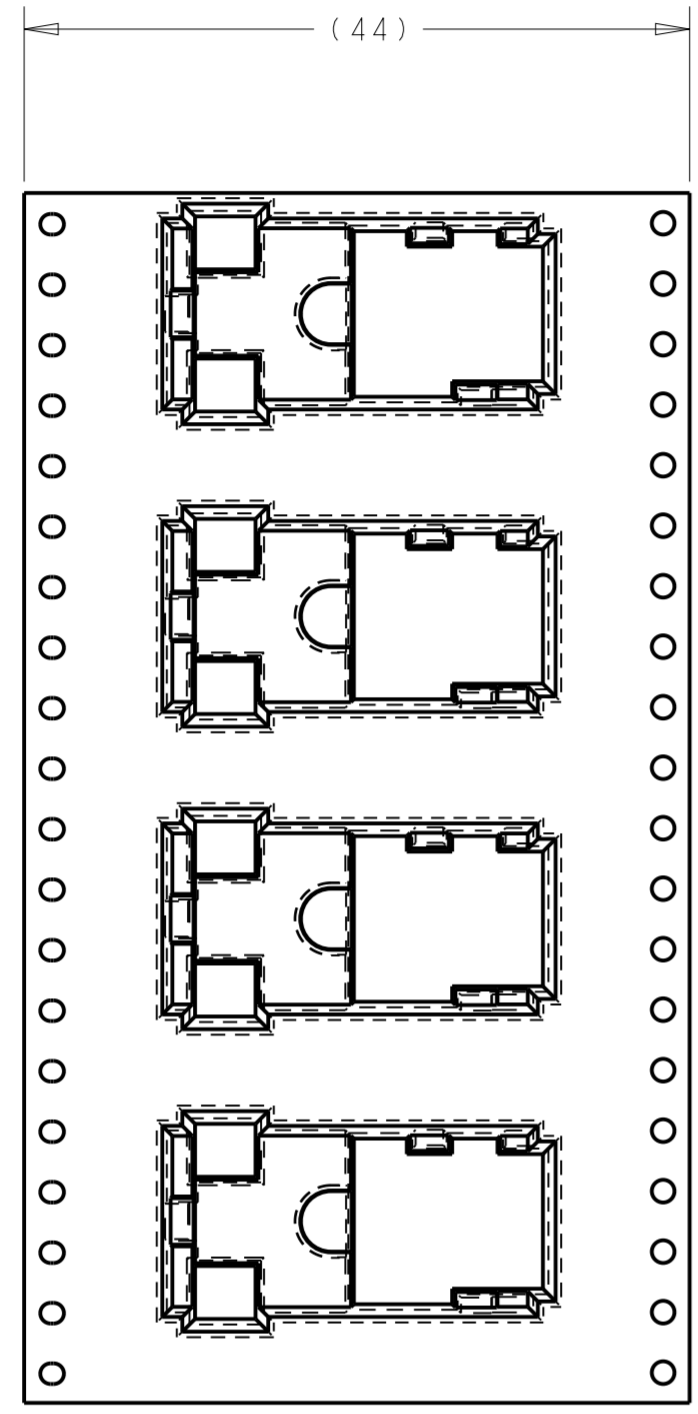


2325864-2/-3  
RECOMMENDED PCB LAYOUT  
SAME AS 2325864-1 EXCEPT AS NOTED

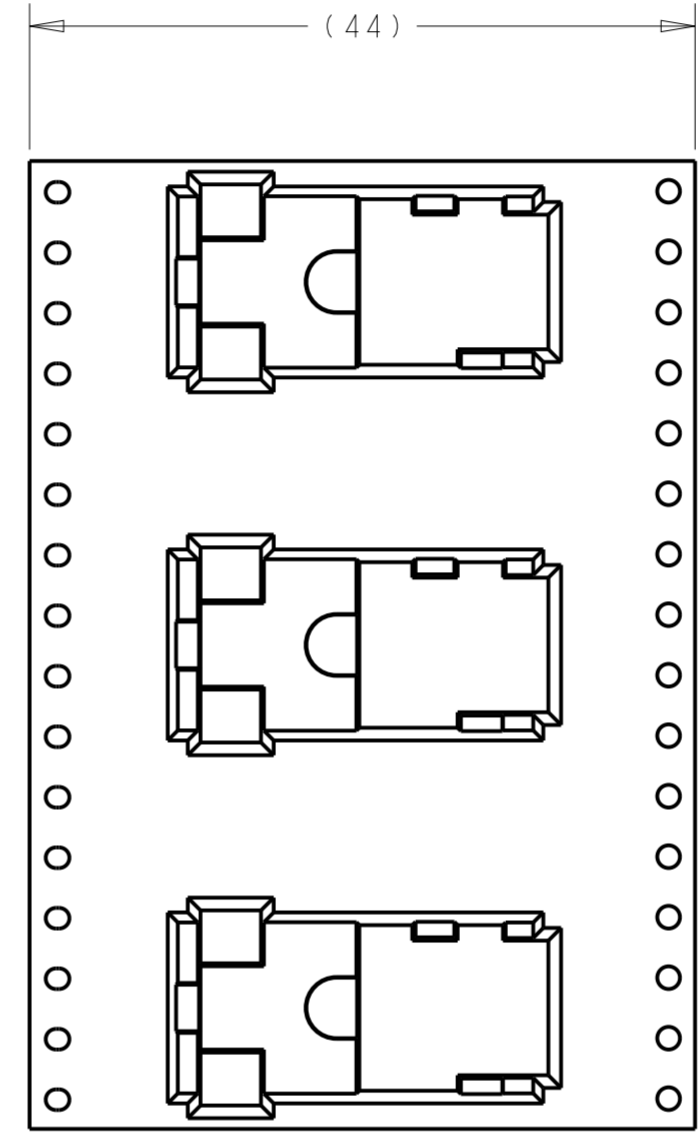
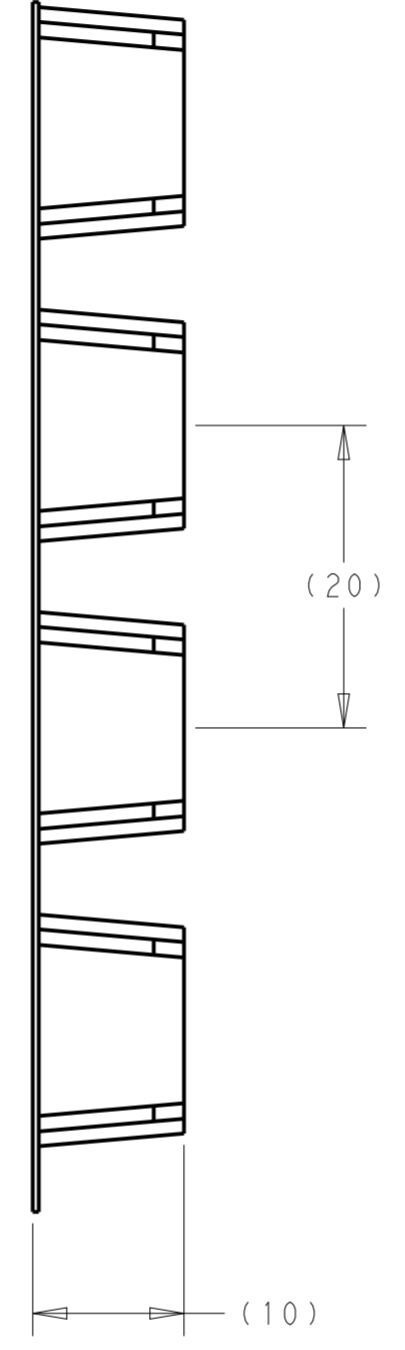
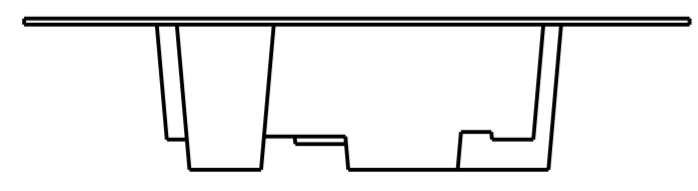
THIS DRAWING IS A CONTROLLED DOCUMENT.		DWN M. SHIRK 02AUG2018	TE Connectivity	
		CHK E. BRIANT 02AUG2018		
DIMENSIONS: mm		APVD -	NAME RECEPTACLE CONNECTOR, 40 POSITION, SFP DD	
TOLERANCES UNLESS OTHERWISE SPECIFIED: 0 PLC ± 1 PLC ± 2 PLC ± 3 PLC ± 4 PLC ± ANGLES ± FINISH		PRODUCT SPEC 108-130026	SIZE A200779	
MATERIAL		APPLICATION SPEC 114-130012	DRAWING NO C-2325864	
		WEIGHT -	RESTRICTED TO -	
CUSTOMER DRAWING		SCALE 5:1	SHEET 2 OF 3	
			REV A1	

THIS DRAWING IS UNPUBLISHED. RELEASED FOR PUBLICATION 20  
 © COPYRIGHT 20 BY - ALL RIGHTS RESERVED.

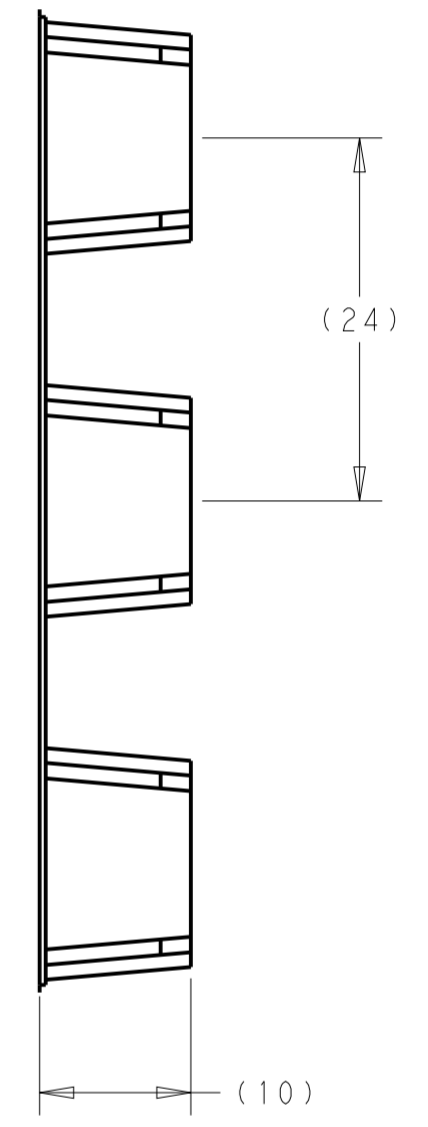
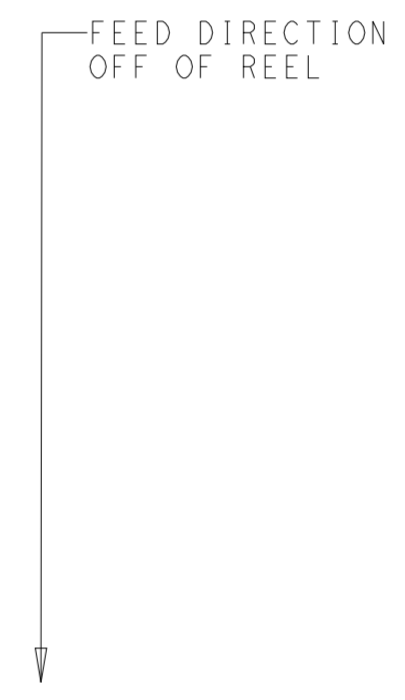
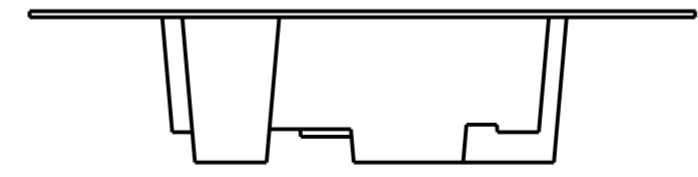
REVISIONS				
P	LTR	DESCRIPTION	DATE	APVD
-		SEE SHEET 1	-	-



PACKAGING TAPE  
 FOR 2325864-1 AND 2325864-2  
 SCALE 2:1



PACKAGING TAPE  
 FOR 2325864-3  
 350 PCS/REEL  
 15 EMPTY POCKETS (360mm)  
 ON BOTH ENDS OF THE TAPE  
 SCALE 2:1



THIS DRAWING IS A CONTROLLED DOCUMENT.		DWN M. SHIRK 02AUG2018	<b>STE</b> TE Connectivity	
		CHK E. BRIANT 02AUG2018		
DIMENSIONS: mm		APVD -	NAME RECEPTACLE CONNECTOR, 40 POSITION, SFP DD	
TOLERANCES UNLESS OTHERWISE SPECIFIED: 0 PLC ± 1 PLC ± 2 PLC ± 3 PLC ± 4 PLC ± ANGLES ± FINISH		PRODUCT SPEC 108-130026	SIZE   CAGE CODE   DRAWING NO   RESTRICTED TO	
MATERIAL		APPLICATION SPEC 114-130012	A200779   C-2325864	
		WEIGHT -	SCALE 5:1   SHEET 3 OF 3   REV A1	
		CUSTOMER DRAWING		

## X-ON Electronics

Largest Supplier of Electrical and Electronic Components

*Click to view similar products for [I/O Connectors](#) category:*

*Click to view products by [TE Connectivity](#) manufacturer:*

Other Similar products are found below :

[571763P](#) [D20419-211](#) [72.250.1628.2](#) [72.250.2428.2](#) [74720-0505](#) [76.350.0729.0](#) [76871-1403](#) [FCN-244F080-G/1](#) [FCN-260A9920](#) [MP-5T180MUNNA-005](#) [PCR-E36PM](#) [PCS-XE26MA+](#) [G38A71314B](#) [1571250010](#) [157-22500-3](#) [MS3471L14-19P L/C](#) [172501-4002](#) [172501-6002](#) [FCN-260C008-A/L0](#) [FCN-260C024-AL0](#) [FCN-261Z008](#) [2000314-1](#) [200331-1](#) [PCR-E36FC+](#) [PCS-E28FS+](#) [PCS-XE26SLFD+](#) [PCS-XE26SLFDT+](#) [G730VID08BDC24](#) [HDMR-29-01-S-SM-TR](#) [U90B2054081210](#) [UE86K842720321](#) [38113800006](#) [DP3AR020WQ1R200](#) [Z4.102.0680.0](#) [500-1040](#) [500-1052](#) [500-1054](#) [ZP-4008-66L](#) [0709821002](#) [5554841-1](#) [U90B3054061110](#) [U65-E04-4020](#) [ZPF00000000097891](#) [557-262M2-06C](#) [747360449](#) [10099439-003C-TRLF](#) [10137239-0021LF](#) [E9320-001-01](#) [10137239-0011LF](#) [70289-001LF](#)