

THIS DRAWING IS UNPUBLISHED.

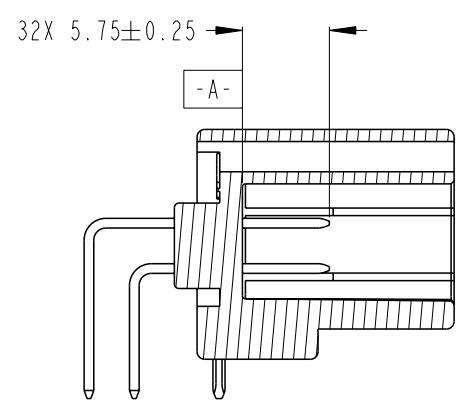
RELEASED FOR PUBLICATION

20

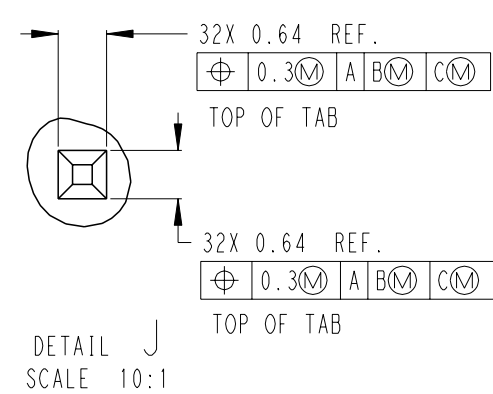
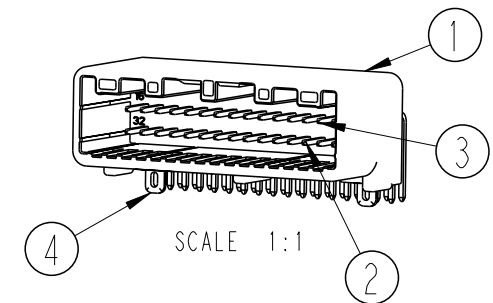
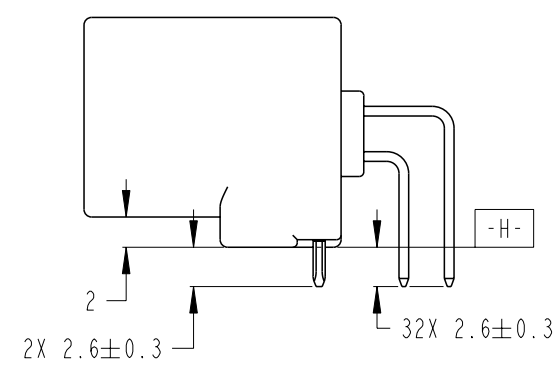
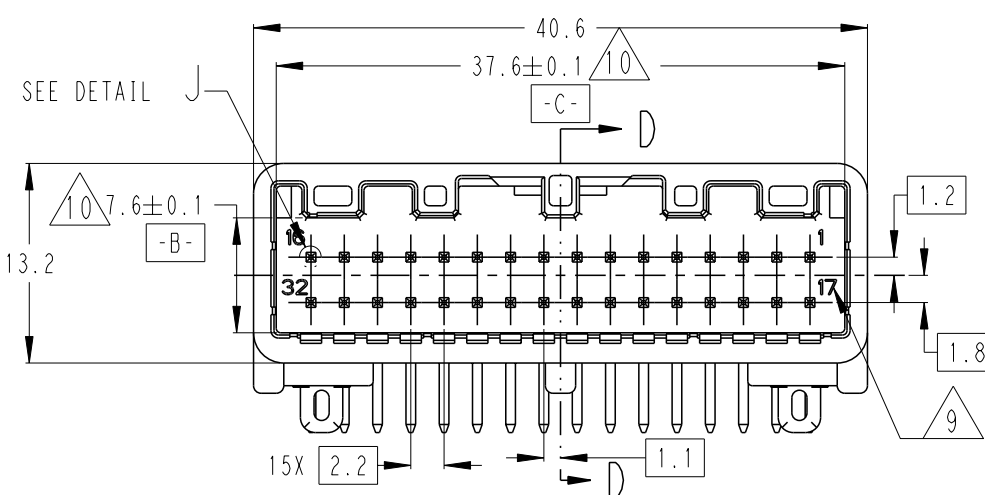
REVISIONS

© COPYRIGHT 20 BY - ALL RIGHTS RESERVED.

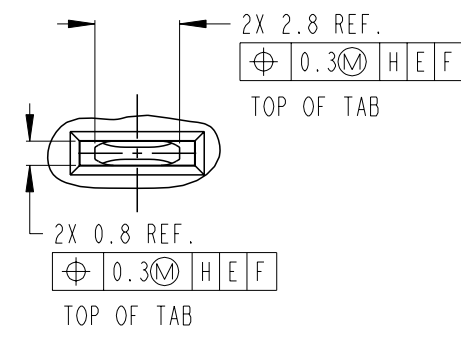
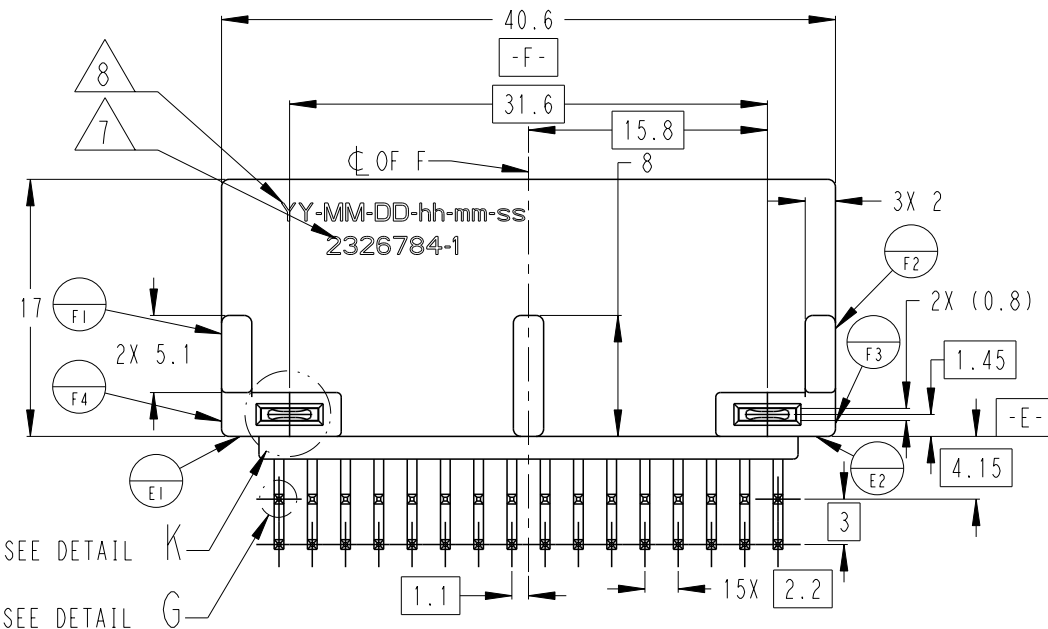
| P | LTR | DESCRIPTION | DATE | DWN | APVD |
|---|-----|-------------------------|---------|------|------|
| | C | REVISED (ECR-18-012393) | 13AUG18 | J. Y | W. W |
| | C1 | REVISED (ECR-18-016864) | 11NOV18 | J. Y | W. W |
| | C2 | REVISED (ECR-19-014595) | 23SEP19 | H. S | W. W |
| | C3 | REVISED (ECR-21-003624) | 07APR21 | H. S | J. Z |



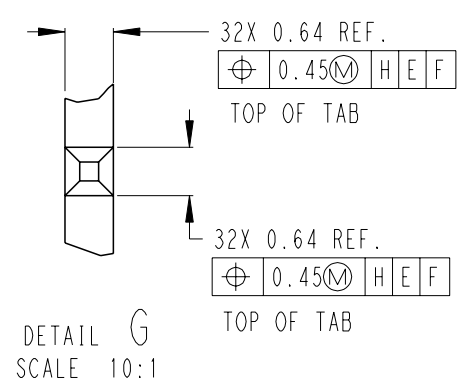
SECTION D-D



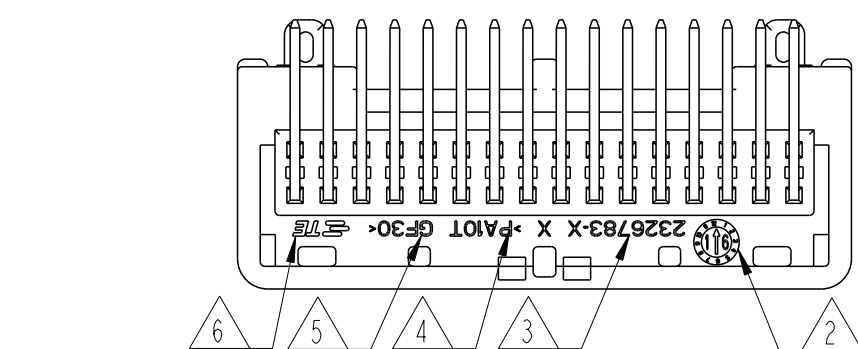
DETAIL J SCALE 10:1



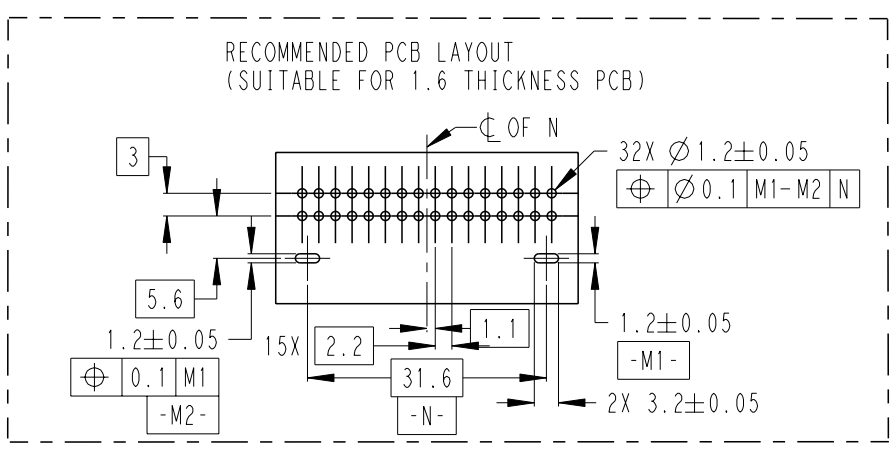
DETAIL K SCALE 4:1



DETAIL G SCALE 10:1



- 1. MATERIAL: SEE TABLE
- 2. MOLD DATE CODE
- 3. HOUSING PART NO.
- 4. MOLD CAVITY NO.
- 5. PLASTIC MATERIAL
- 6. TE LOGO
- 7. ASS'Y PART NO.
- 8. ASS'Y MANUFACTURE DATE
- 9. PIN NO.
- 10. MEASURED ON SUPPORT AREA ABOVE BOTTOM 2.0mm
- 11. FEMALE CONNECTOR PART NO.: 1318747-*
2321525-*
FEMALE TERMINAL PART NO.: 1123343-1



THIS DRAWING IS A CONTROLLED DOCUMENT.

| | |
|-------------|--|
| DIMENSIONS: | TOLERANCES UNLESS OTHERWISE SPECIFIED: |
| mm | ±0.3 |
| | 0 PLC ±- |
| | 1 PLC ±- |
| | 2 PLC ±- |
| | 3 PLC ±- |
| | 4 PLC ±- |
| | ANGLES ±- |
| MATERIAL | FINISH |
| SEE TABLE | - |

| | | |
|------------------|--------|-----------|
| DWN | J. YIN | 19SEP2017 |
| CHK | W. WU | 30OCT2017 |
| APVD | I. YIN | 31OCT2017 |
| PRODUCT SPEC | - | |
| APPLICATION SPEC | - | |
| WEIGHT | - | |
| CUSTOMER DRAWING | | |

| | | | |
|--------------------------|-----------|----------------------|---------------|
| | | TE Connectivity | |
| | | NAME | |
| 025 SERIES 32 POS 90 DGR | | PIP HEADER CONNECTOR | |
| SIZE | CAGE CODE | DRAWING NO | RESTRICTED TO |
| A3 | 00779 | C-2326784 | |
| SCALE | | SHEET | REV |
| 2:1 | | 1 OF 2 | C3 |

Printed on 7 Apr 2021 09:44 (China Standard Time) from TE375692

THIS DRAWING IS UNPUBLISHED.

RELEASED FOR PUBLICATION

20

© COPYRIGHT 20 BY -


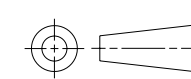
ALL RIGHTS RESERVED.

REVISIONS

| P | LTR | DESCRIPTION | DATE | DWN | APVD |
|---|-----|-------------|------|-----|------|
| | | SEE SHEET 1 | | | |
| | | | | | |
| | | | | | |

C3

| CARTON | REEL | TRAY | ASSY P/N | DESCRIPTION | QTY | FINISH/COLOR | MATERIAL | ITEM |
|----------------------|---------------------|---------------------|-----------|-----------------|-----|--------------|------------|------|
| DIM 420*346*220mm | - | DIM 320*210*28mm | 2326784-4 | 2.8 SOLDER TAB | 2 | TIN | BRASS | 4 |
| | | | | 0.64 SIGNAL PIN | 16 | TIN | BRASS | 3 |
| | | | | 0.64 SIGNAL PIN | 16 | TIN | BRASS | 2 |
| | | | | 32P HOUSING | 1 | NATURAL | PA10T GF30 | 1 |
| DIM 380*380*265mm | DIM 380*380*72mm | - | 2326784-3 | 2.8 SOLDER TAB | 2 | TIN | BRASS | 4 |
| | | | | 0.64 SIGNAL PIN | 16 | TIN | BRASS | 3 |
| | | | | 0.64 SIGNAL PIN | 16 | TIN | BRASS | 2 |
| | | | | 32P HOUSING | 1 | NATURAL | PA10T GF30 | 1 |
| DIM 420*346*220mm | - | DIM 330*210*28mm | 2326784-2 | 2.8 SOLDER TAB | 2 | TIN | BRASS | 4 |
| | | | | 0.64 SIGNAL PIN | 16 | TIN | BRASS | 3 |
| | | | | 0.64 SIGNAL PIN | 16 | TIN | BRASS | 2 |
| | | | | 32P HOUSING | 1 | NATURAL | PA10T GF30 | 1 |
| DIM 380*280*275mm | - | DIM 375*275*35mm | 2326784-1 | 2.8 SOLDER TAB | 2 | TIN | BRASS | 4 |
| | | | | 0.64 SIGNAL PIN | 16 | TIN | BRASS | 3 |
| | | | | 0.64 SIGNAL PIN | 16 | TIN | BRASS | 2 |
| | | | | 32P HOUSING | 1 | NATURAL | PA10T GF30 | 1 |

| | | | | | | |
|---|--|-----------------------------|--|--------------------|-------------------------|---------------|
| THIS DRAWING IS A CONTROLLED DOCUMENT. | | DWN J. YIN 19SEP2017 |  TE Connectivity | | | |
| DIMENSIONS: mm | | CHK W. WU 30OCT2017 | | | | |
|  | | APVD I. YIN 31OCT2017 | | | | |
| TOLERANCES UNLESS OTHERWISE SPECIFIED: ±0.3 | | PRODUCT SPEC - | | | | |
| MATERIAL SEE TABLE | | APPLICATION SPEC - | NAME 025 SERIES 32 POS 90 DGR PIP HEADER CONNECTOR | | | |
| FINISH - | | WEIGHT - | SIZE A3 | CAGE CODE 00779 | DRAWING NO C-2326784 | RESTRICTED TO |
| CUSTOMER DRAWING | | | SCALE 2:1 | SHEET 2 OF 2 | REV C3 | |

Printed on 7 Apr 2021 09:44 (China Standard Time) From TE375692

X-ON Electronics

Largest Supplier of Electrical and Electronic Components

Click to view similar products for [Headers & Wire Housings](#) category:

Click to view products by [TE Connectivity](#) manufacturer:

Other Similar products are found below :

[0015917161](#) [0022155065](#) [57102-F02-18ULF](#) [58102-G61-06LF](#) [582553-1](#) [01.001.5753.1](#) [0050291907](#) [02.125.8002.8](#) [609-3404](#) [61062-3](#)
[CSU011177004](#) [622-0430](#) [622-3653LF](#) [63453-116](#) [636-1030](#) [636-1427](#) [636-3427](#) [636-4007](#) [641938-9](#) [65495-038](#) [65692-001LF](#) [65781-018](#)
[65781-047](#) [65817-010LF](#) [65817-015LF](#) [67095-007LF](#) [67601157](#) [68631-112](#) [68645-018](#) [699319-000](#) [70.362.1628.0](#) [70-4210](#) [70-4226B](#) [70-](#)
[4853B](#) [71.350.2428.0](#) [733-134](#) [733-162](#) [760-3052](#) [MHR-64-VUAL](#) [80.063.4001.1](#) [800-90-001-10-001000](#) [801-43-002-10-013000](#)
[801-43-006-10-002000](#) [803-43-024-10-001000](#) [803-93-012-10-001000](#) [8-1437020-4](#) [819-22-004-30-001101](#) [820-22-006-30-001101](#)
[820-22-008-30-001101](#) [821-22-002-10-001101](#)