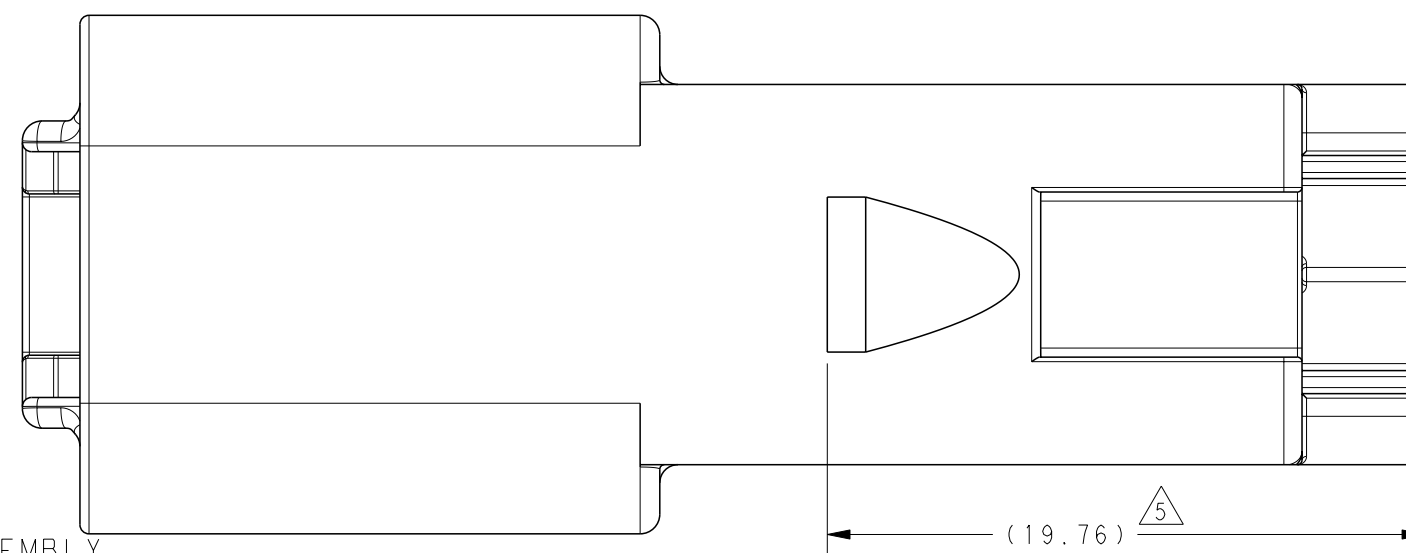
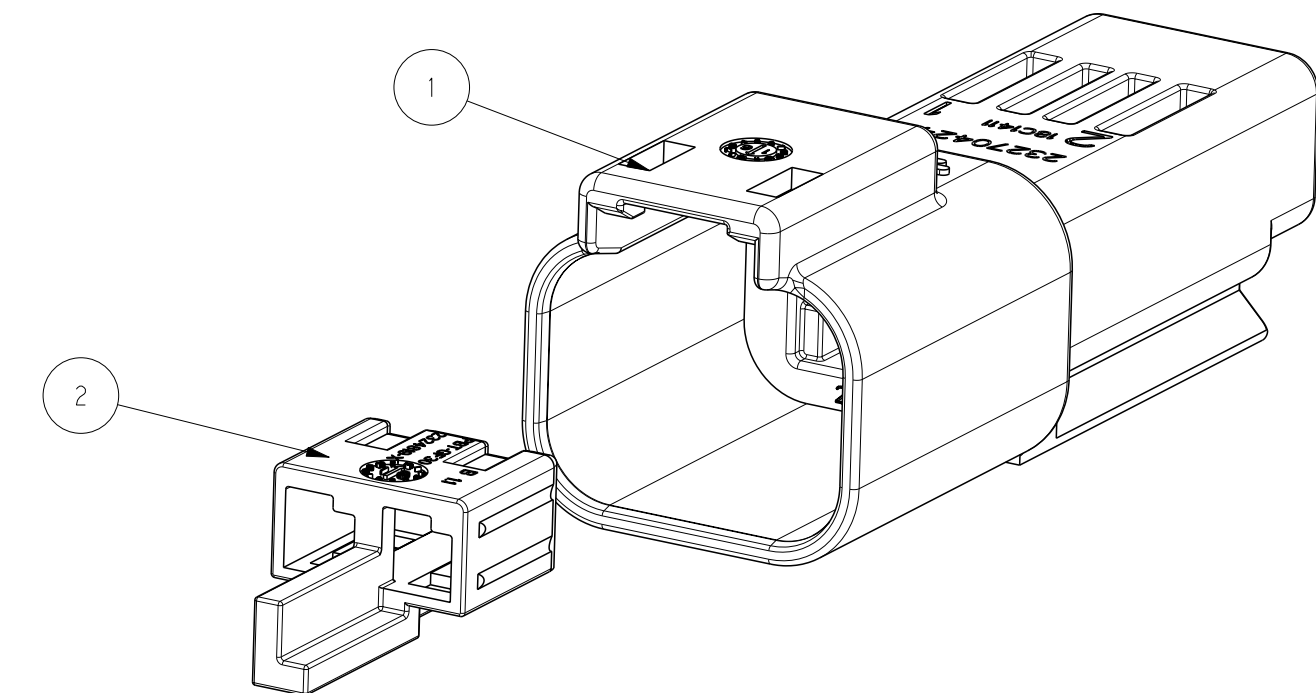
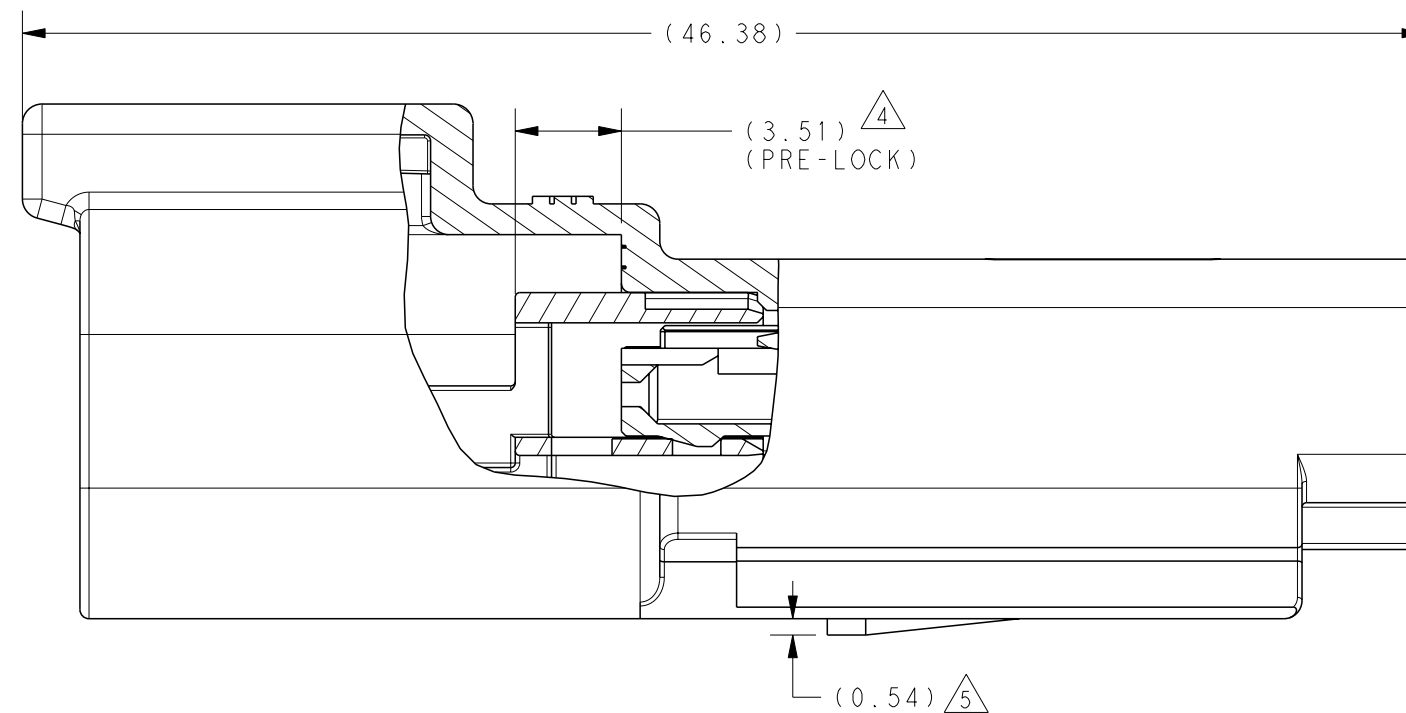
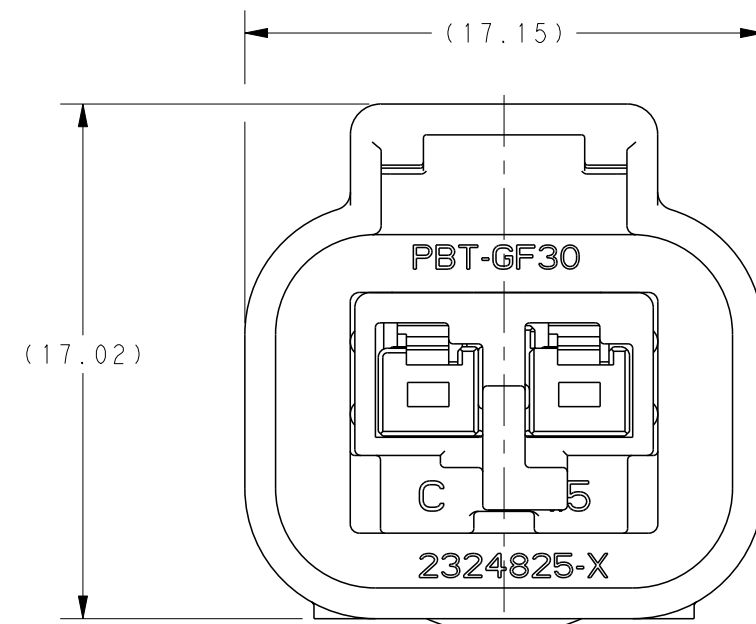
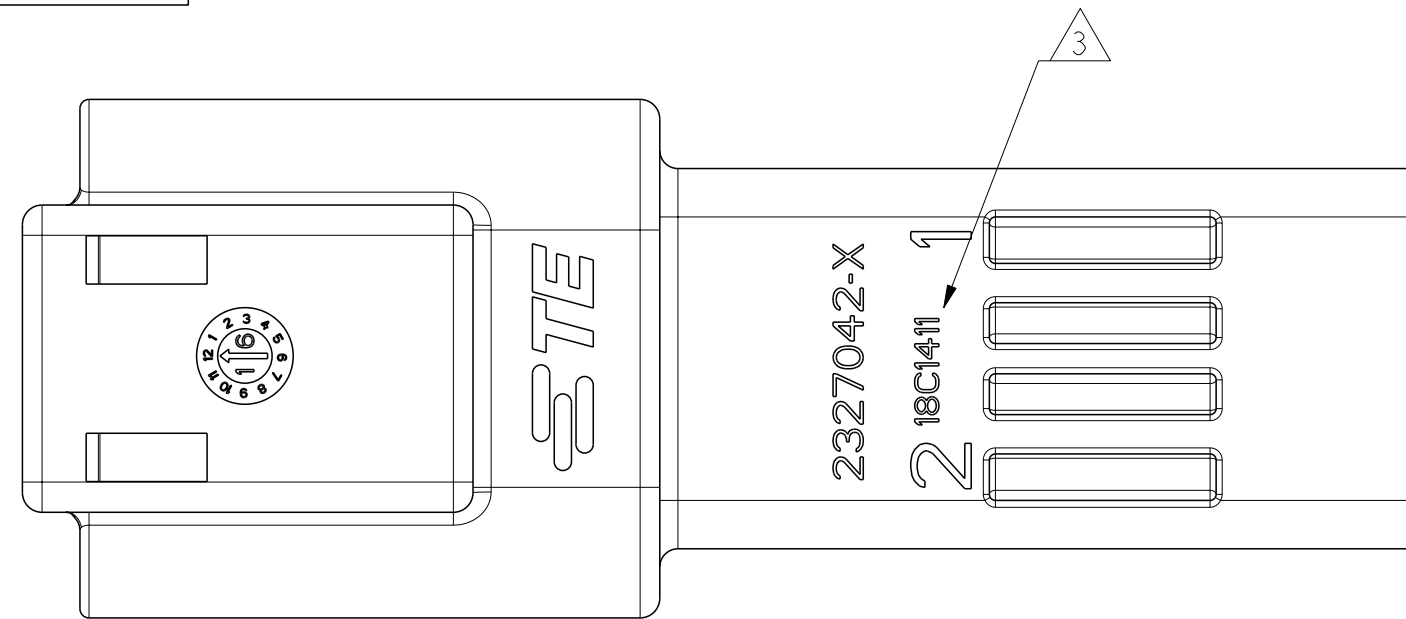
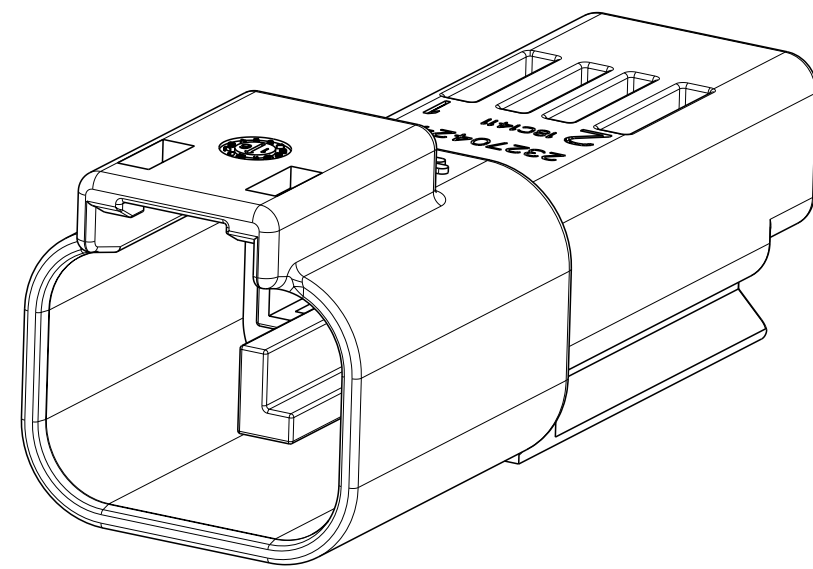


THIS DRAWING IS UNPUBLISHED. RELEASED FOR PUBLICATION
 © COPYRIGHT BY ALL RIGHTS RESERVED.

REVISIONS					
P	LTR	DESCRIPTION	DATE	DWN	APVD
A2	ECR-19-007522		13MAY2019	V.T	E.J
A3	ECR-20-004141		18MAR2020	V.T	E.J
B	ECR-20-007431		15JUN2020	V.T	E.J
C	ECR-20-015257		01JUN2021	V.T	Z.Z



NOTES:

- 1. RECEPTACLE 2327042-X MATES WITH 2324808-X PLUG (X=1, 2, 3 FOR RELEVANT CODE).
 RECEPTACLE 2-2327042-X MATES WITH 2-2324808-X PLUG (X=1, 2, 3 FOR RELEVANT CODE).

- 2. MATERIAL: HOUSING: PBT GF30, SEE TABLE FOR COLOR
 TPA: PBT GF30, SEE TABLE FOR COLOR

- 3. DATE CODE: IDENTIFIES THE YEAR, MONTH, DAY AND HOUR OF ASSEMBLY.
 YEAR: FIRST AND SECOND DIGITS(17=2017)
 MONTH: THIRD DIGIT, EXCLUDING I, A=JAN, B=FEB, C=MARCH...(K=OCTOBER)
 DAY: FOURTH AND FIFTH DIGITS(14=14th DAY)
 HOUR: SIXTH AND SEVENTH DIGITS(11=11AM)

- 4. PULL TPA TO PRE-LOCK BEFORE TERMINAL INSERTION IN CASE OF TPA BEING HIT TO END-LOCK POSITION.

- 5. REFER TO DRAWING DT04-DOVETAIL FOR CLIP INTERFACE DIMENSIONS, RECOMMEND MOUNTING CLIP PN LIST:
 METAL VERSION PN: 1027-003-1200, 1027-004-1200, 1027-005-1200, 1027-008-1200, 1027-013-1200;
 PLASTIC VERSION PN: 1011-026-0205, 1011-030-0205, 1011-310-0205, 2355806-1.

6. APPLICABLE TERMINAL PART NUMBERS AND WIRE SIZE:

TERMINAL PN	TERMINAL PLATING	APPLICATION	WIRE SIZE (MM2)	INSULATION WIRES(MM)	SWS P/N	BLIND PLUG P/N
2141114-1	TIN	GENERAL (USCAR-2 V2)	0.35	∅1.10~∅1.40	963142-2	963143-1
2141114-3	SILVER	HIGH VIBRATION (USCAR-2 V3)				
2141116-1	TIN	GENERAL (USCAR-2 V2)	0.5~0.75	∅1.40~∅1.90	963142-1	963143-1
2141116-3	SILVER	HIGH VIBRATION (USCAR-2 V3)				
2177610-1	TIN	GENERAL (USCAR-2 V2)	1.0~1.5	∅1.90~∅2.40	963142-1	963143-1
2177610-3	SILVER	HIGH VIBRATION (USCAR-2 V3)				

CODING A	CODING B	CODING C
PN: 2327042-1 (VO) 2-2327042-1 (HB)	PN: 2327042-2 (VO) 2-2327042-2 (HB)	PN: 2327042-3 (VO) 2-2327042-3 (HB)

1	1	1	1	1	1	COLOR	MATERIAL	DESCRIPTION	ITEM NO
						NATURAL	PBT-GF30	TPA, CODE C	2
						GREEN	PBT-GF30	TPA, CODE B	
						YELLOW	PBT-GF30	TPA, CODE A	
1	1	1				GRAY	PBT-GF30	HOUSING	1
						BLACK	PBT-GF30		
QTY. REQUEST PER ASSY						COLOR	MATERIAL	DESCRIPTION	ITEM NO
5.7	5.7	5.7	6.3	6.3	6.3	WEIGHT OF EACH ASSY NO. (g)			
C	C	C	C	C	C	REVISION OF EACH ASSY NO.			
2-2327042-3 (HB)	2-2327042-2 (HB)	2-2327042-1 (HB)	2327042-3 (VO)	2327042-2 (VO)	2327042-1 (VO)	TE ASSEMBLY PN			

THIS DRAWING IS A CONTROLLED DOCUMENT.

DIMENSIONS: mm

TOLERANCES UNLESS OTHERWISE SPECIFIED:

0 PLC	±
1 PLC	±0.25
2 PLC	±0.15
3 PLC	±
4 PLC	±
ANGLES	±
FINISH	-

MATERIAL: -

APVD: C. WAN 17JAN2018
 CHK: E. JIANG 26FEB2018
 APVD: J. YIN 02MAR2018

PRODUCT SPEC: 108-32189
 APPLICATION SPEC: 114-32258

WEIGHT: -

CUSTOMER DRAWING

SCALE: 2:1 SHEET 1 OF 1 REV C

NAME: SUPERSEAL PRO 2POS, RECP. ASSEMBLY MCON1.2, CB TERMINAL

SIZE: A2 CAGE CODE: 00779 DRAWING NO: C-2327042

RESTRICTED TO: C

X-ON Electronics

Largest Supplier of Electrical and Electronic Components

Click to view similar products for [Automotive Connectors](#) category:

Click to view products by [TE Connectivity](#) manufacturer:

Other Similar products are found below :

[003-018-000](#) [60403001](#) [60993906-B](#) [M902-2131](#) [M902-2161](#) [72.330.1035.1](#) [73.353.4028.0](#) [F119300-B](#) [F166900](#) [F258300-B](#) [F358300-B](#)
[F407400](#) [F444110](#) [F487000](#) [F509500B-B](#) [827153-1](#) [8N1515-32-24P](#) [9-1326729-8](#) [925474-1](#) [928905-1](#) [964562-4](#) [968782-1](#) [GT17SA-8DS-](#)
[HU](#) [98891-1012](#) [98947-1016](#) [12004147](#) [12004475-L](#) [12010290](#) [12010309-B](#) [12015454](#) [12020219-B](#) [12020308](#) [12041318-B](#) [12052225-L](#)
[12052466](#) [12059125](#) [12064869](#) [12004327-B](#) [12010503-B](#) [12015308](#) [12015384](#) [12015909](#) [1-21030-1](#) [12041254](#) [12041318](#) [12047946-B](#)
[12047957](#) [12047957-L](#) [12059473](#) [12066261](#)