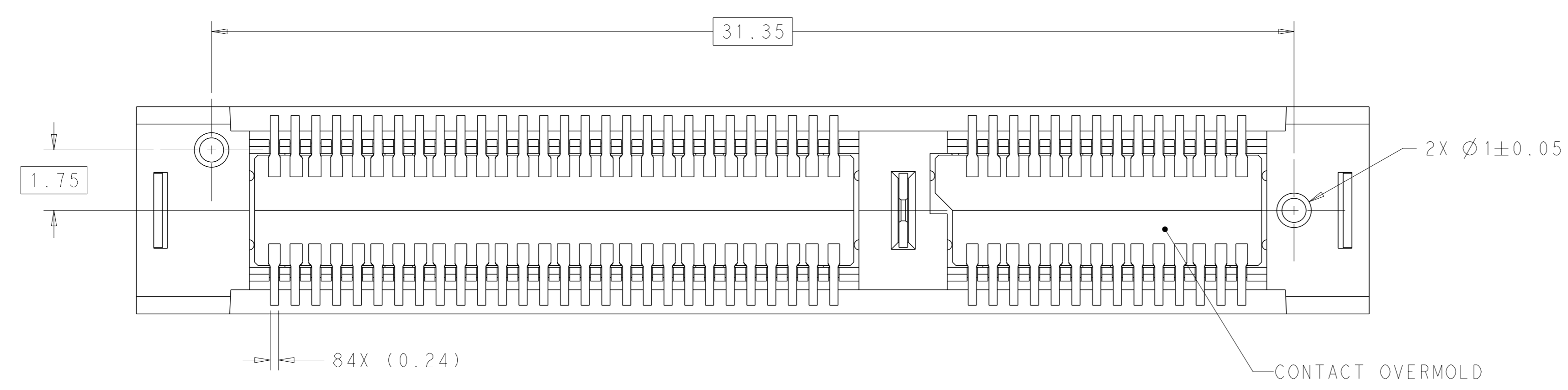
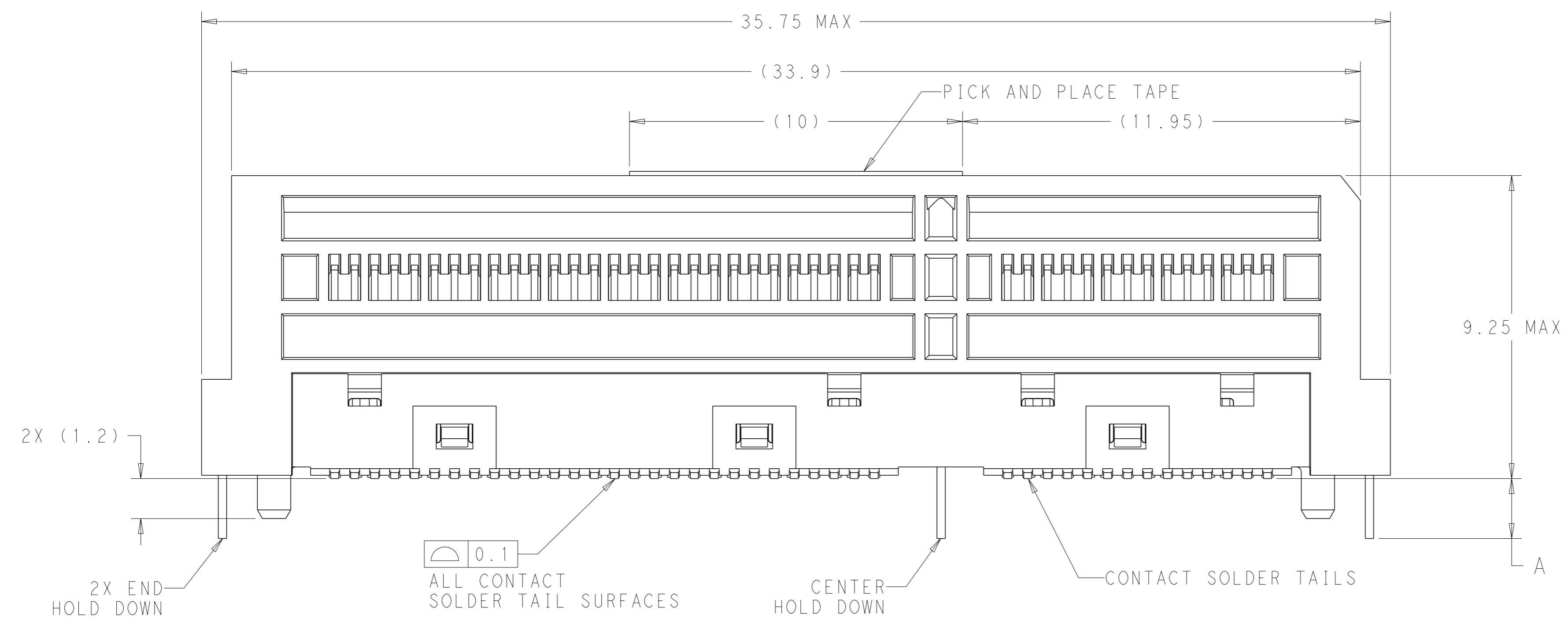
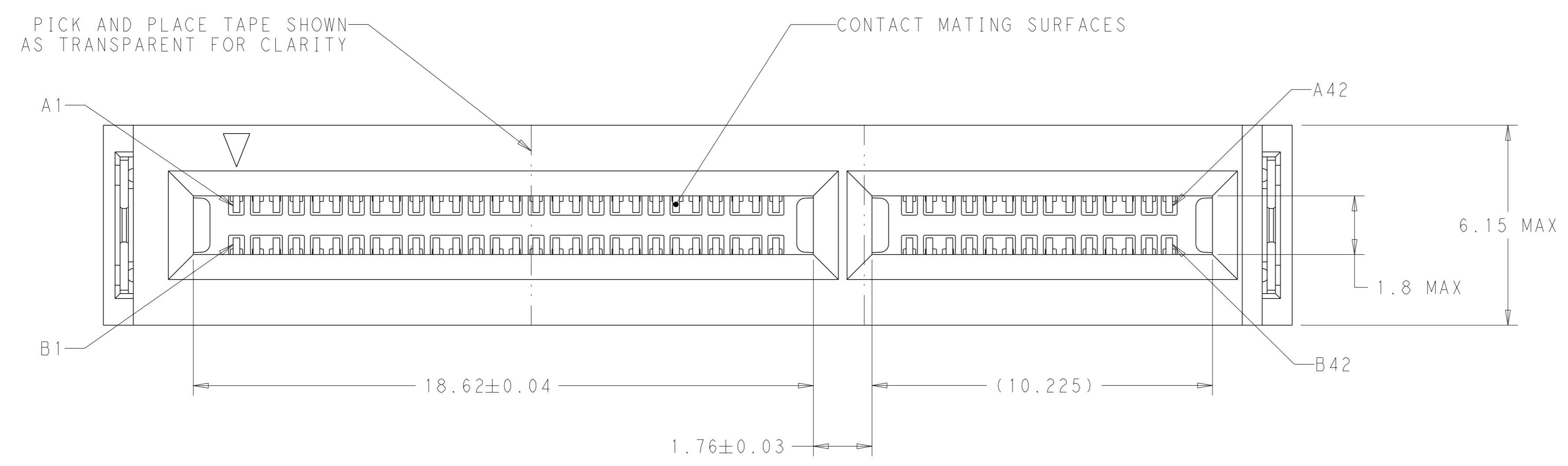
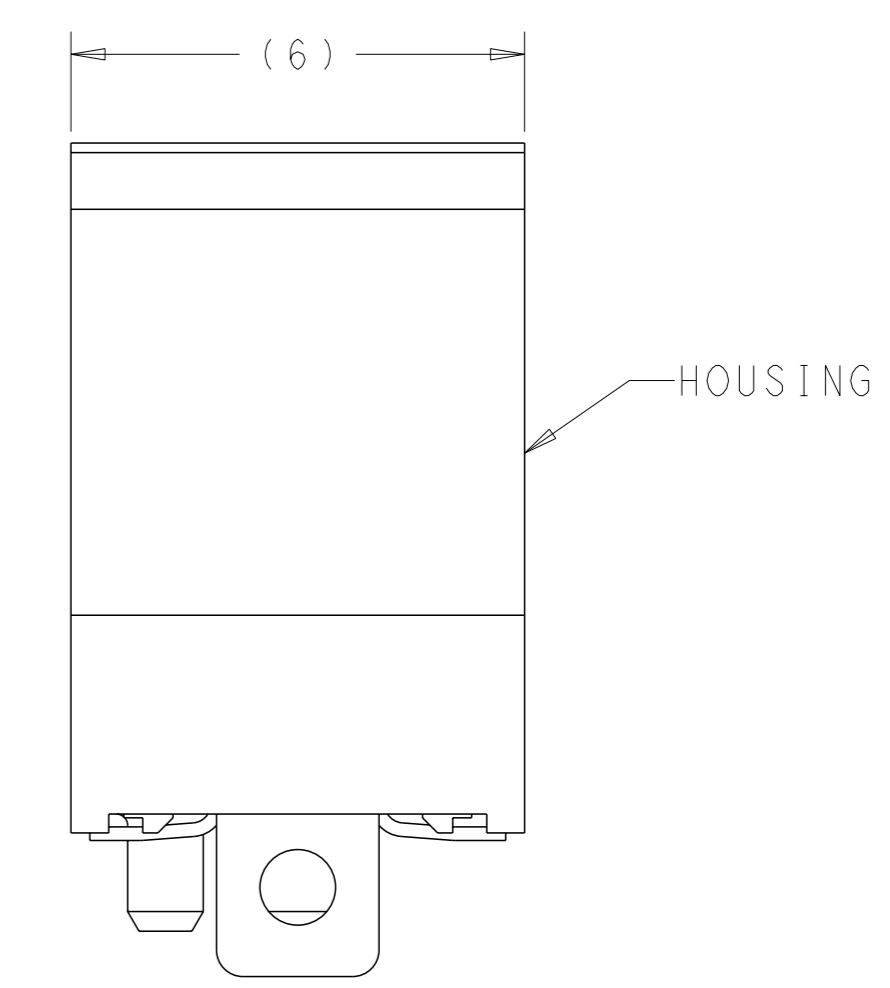


| REVISIONS | | | | |
|-----------|-----|---------------------------|-----------|----------|
| # | LY# | DESCRIPTION | DATE | OWN APVD |
| A | | RELEASED | 17MAY2019 | CJV JW |
| B | | REVISED PER ECO-19-011736 | 07AUG2019 | AP JW |
| C | | REVISED PER ECO-20-015351 | 28OCT2020 | TX DZ |



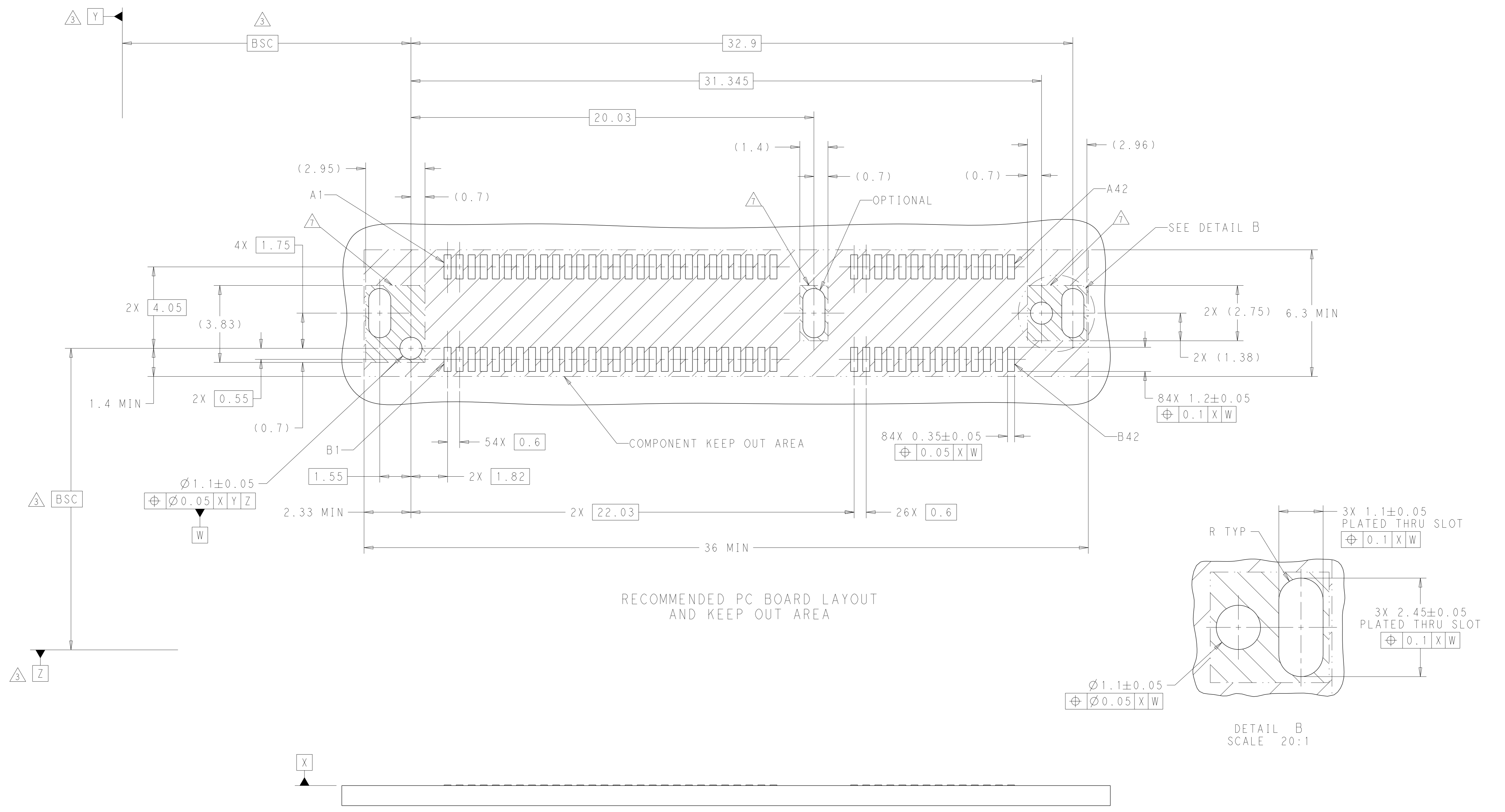
- ⚠ HOUSING AND CONTACT OVERMOLDS - LCP, UL94-V0, BLACK. CONTACTS AND HOLD DOWNS - COPPER ALLOY. PICK AND PLACE TAPE - POLYIMIDE FILM.
- ⚠ CONTACTS - GOLD PLATE ON MATING SURFACES, TIN PLATE ON SOLDER FEET. HOLD DOWNS - TIN PLATE.
- ⚠ DATUMS AND BASIC DIMENSIONS ESTABLISHED BY CUSTOMER.
- 4. MINIMUM HOST PCB THICKNESS: 1.5.
- ⚠ SEE MSA SPECIFICATION FOR ADDITIONAL PADDLE CARD LAYOUTS COMPATIBLE WITH THIS RECEPTACLE AND FOR OPTIONAL SPLIT CONTACT PAD LAYOUTS FOR THE PADDLE CARD. SPECIFICATION PINOUT MAY ALSO DESIGNATE PAD SEQUENCE DIFFERENT FROM ILLUSTRATION.
- ⚠ POSITIONS DESIGNATED AS "SIGNAL" ARE REQUIRED LOCATIONS FOR HIGH SPEED DIFFERENTIAL PAIR SIGNALING. THESE LOCATIONS MAY ALSO BE USED FOR SUPPORTING SIDEBAND SIGNALS OR OTHER UTILITY PURPOSES. POSITIONS DESIGNATED AS "GROUND" ARE REQUIRED WHEN SUPPORTING HIGH SPEED DIFFERENTIAL SIGNALS. THESE LOCATIONS MAY ALSO BE USED FOR SIDEBAND SIGNALS OR OTHER UTILITY PURPOSES.
- ⚠ COMPONENT AND TRACE KEEP OUT AREA. EACH EDGE 0.15 MIN FROM EDGE OF HOLE.
- ⚠ TAPE AND REEL PACKAGED FOR PICK AND PLACE SMT PROCESSING, SEE FIGURE 1. POCKET TAPE WIDTH = 56.



SEE SHEET 4 FOR PART TABLE

| | | | |
|--|--|-------------------------------|--|
| THIS DRAWING IS A CONTROLLED DOCUMENT. | | OWN: C. VALENTINE 16 JAN 2018 | TE Connectivity |
| | | CHK: D. HARMON 16 JAN 2018 | |
| DIMENSIONS: | | APVD: D. HARMON 16 JAN 2018 | NAME: RECEPTACLE ASSEMBLY, VERTICAL, 84 POSITION, SLIVER 2.0 |
| mm | TOLERANCES UNLESS OTHERWISE SPECIFIED: | PRODUCT SPEC | APPLICATION SPEC |
| | 0 PLC ± | 108-130021 | |
| | 2 PLC ± | 114-130008 | |
| | 3 PLC ± | | |
| | 4 PLC ± | | |
| | ANGLES FINISH | | |
| MATERIAL | | WEIGHT | RESTRICTED TO |
| | | | A1 |
| | | CUSTOMER DRAWING | SCALE 10:1 SHEET 1 OF 4 REV C |

| REVISIONS | | | | |
|-----------|-----|-------------|------|------|
| P. | LYR | DESCRIPTION | DATE | APVD |
| - | - | SEE SHEET 1 | - | - |
| | | | | |
| | | | | |



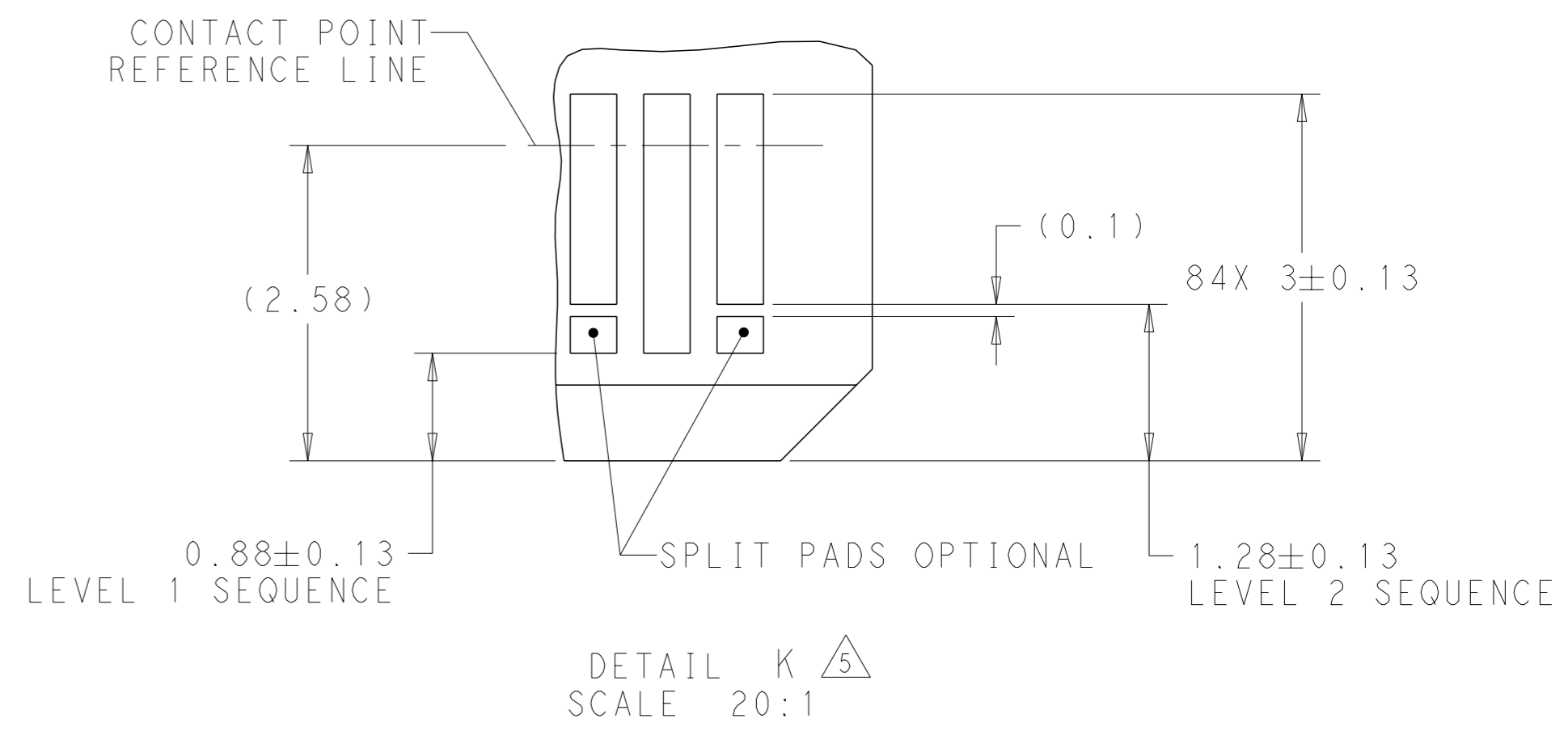
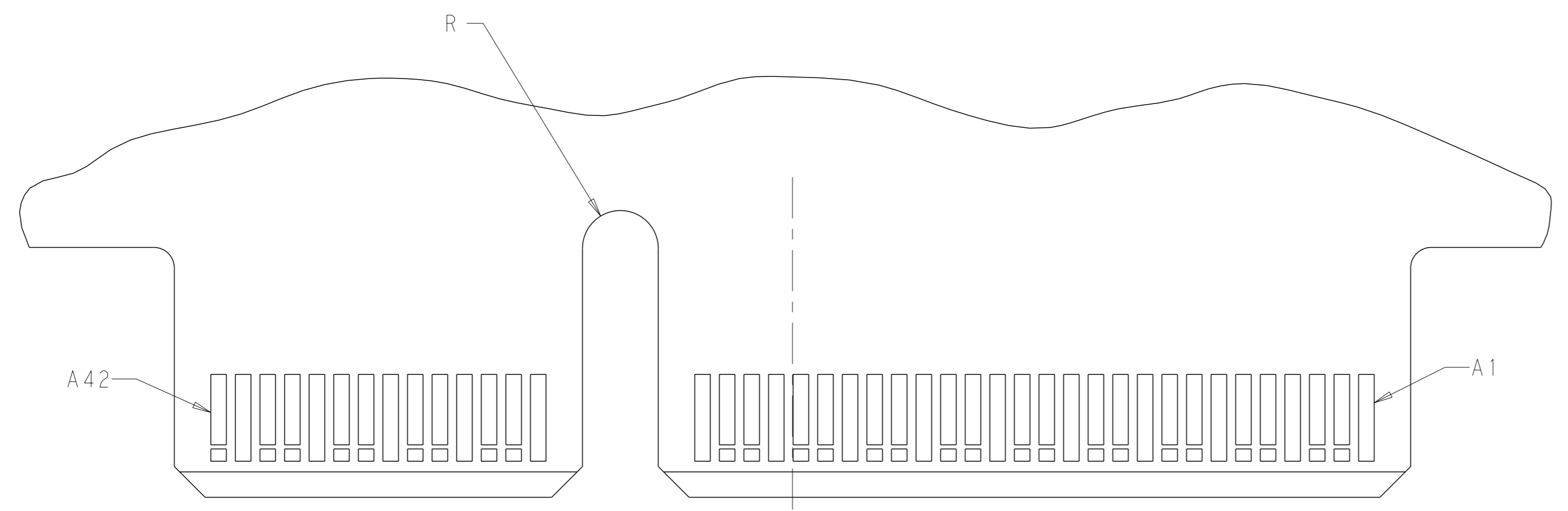
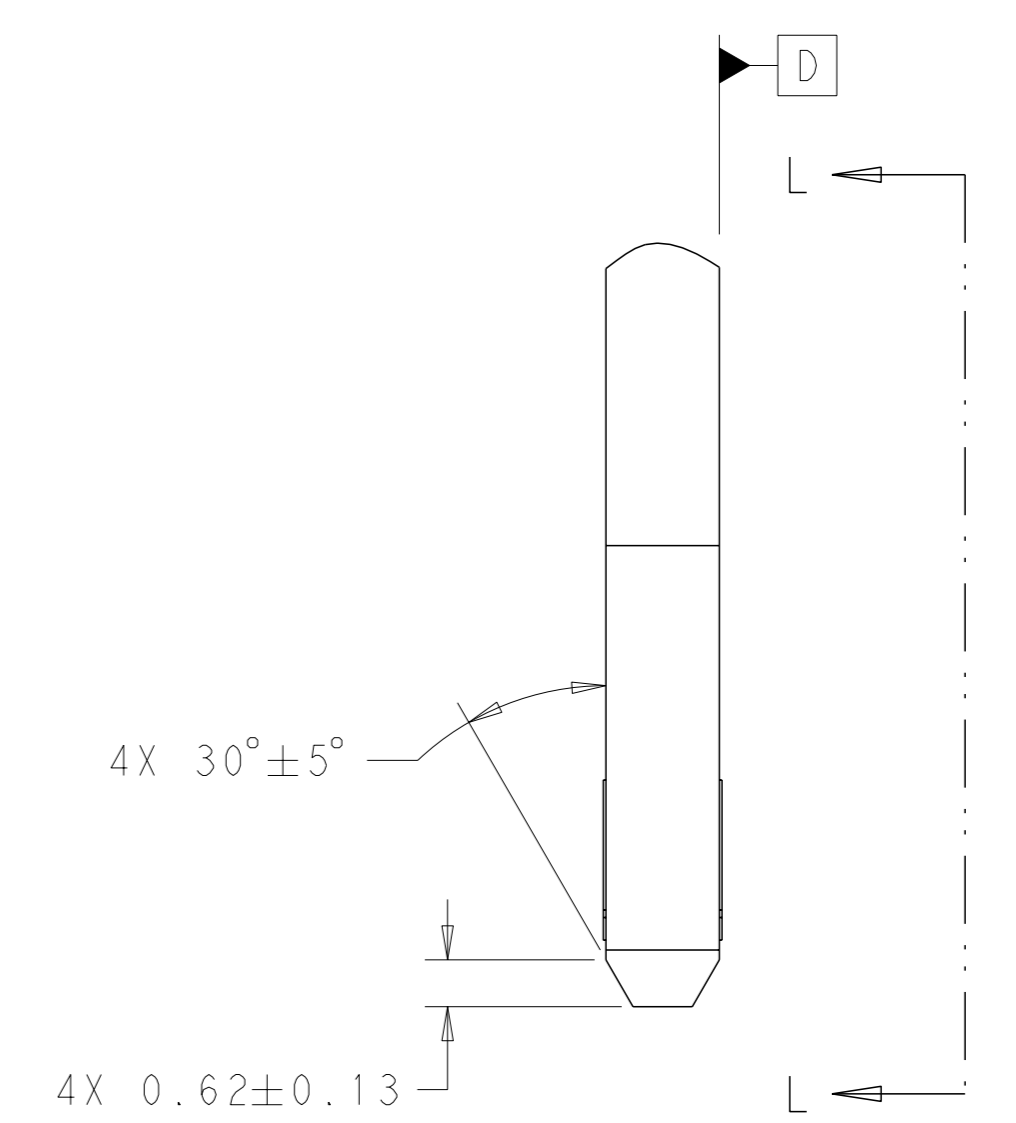
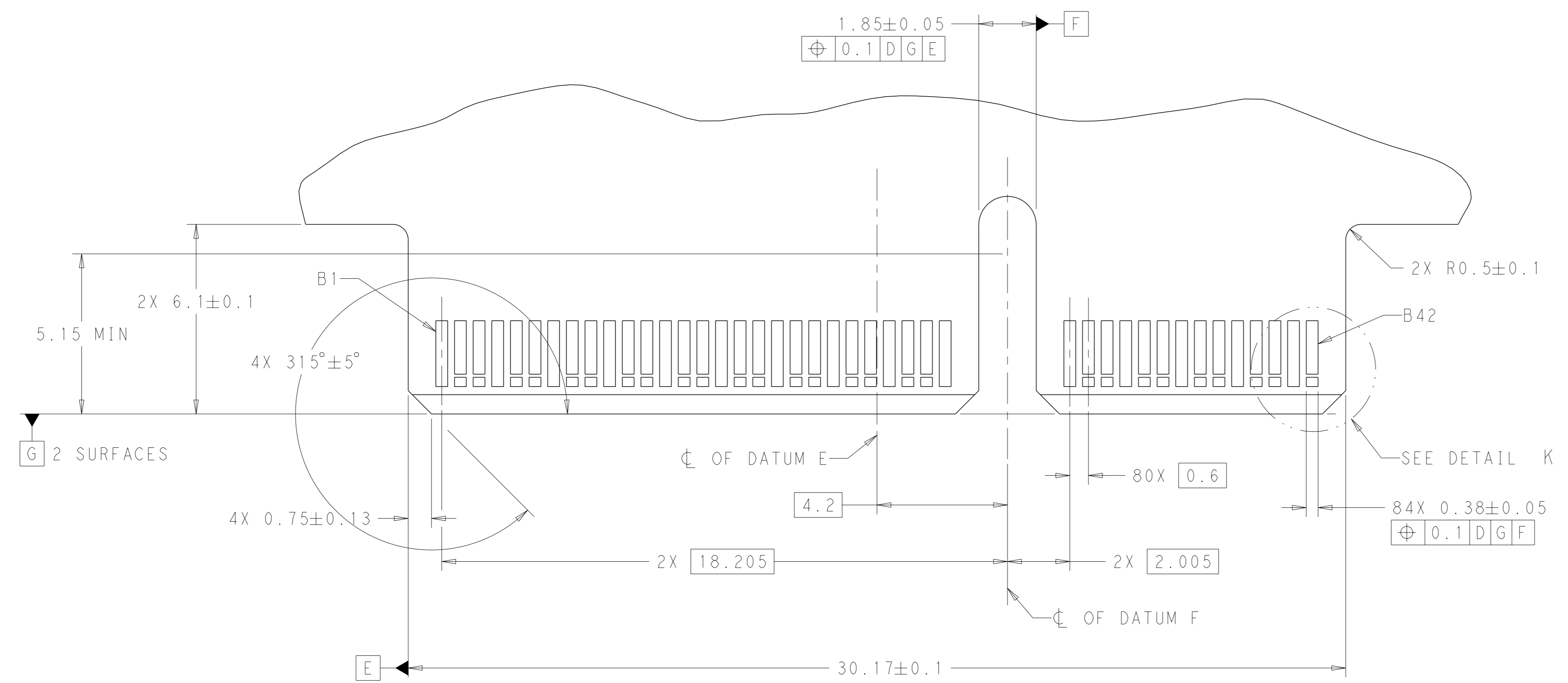
RECOMMENDED PC BOARD LAYOUT AND KEEP OUT AREA

DETAIL B
SCALE 20:1

| | | | |
|--|------------|------------------------------------|---|
| THIS DRAWING IS A CONTROLLED DOCUMENT. | | OWN C. VALENTINE 16 JAN 2018 | TE Connectivity |
| DIMENSIONS: mm | | CHK D. HARMON 16 JAN 2018 | |
| TOLERANCES UNLESS OTHERWISE SPECIFIED: | | APVD D. HARMON 16 JAN 2018 | NAME RECEPTACLE ASSEMBLY, VERTICAL, 84 POSITION, SLIVER 2.0 |
| 0 PLC ± | 1 PLC ± | PRODUCT SPEC | 108-130021 |
| 2 PLC ± | 3 PLC ± | APPLICATION SPEC | 114-130008 |
| 4 PLC ± | ANGLES ± | FINISH | 114-130008 |
| MATERIAL | WEIGHT | SIZE | CAGE CODE DRAWING NO |
| CUSTOMER DRAWING | SCALE 10:1 | A1 | ©=2327678 |
| SHEET 2 OF 4 | | REV C | |

| REVISIONS | | | | |
|-----------|-----|-------------|------|-----|
| # | LY# | DESCRIPTION | DATE | OWN |
| - | - | SEE SHEET 1 | - | - |
| | | | | |
| | | | | |

RECOMMENDED PCB OUTLINE DIMENSIONS.
 TOLERANCE VALUES ARE CRITICAL. PLEASE BE SURE TO DESIGNATE
 TOLERANCES TO PCB SUPPLIER TO ENSURE OPTIMIZED FUNCTIONALITY.



VIEW L-L

| | | | | |
|--|--|------------------------------------|---|--|
| THIS DRAWING IS A CONTROLLED DOCUMENT. | | OWN C. VALENTINE 16 JAN 2018 | TE Connectivity | |
| DIMENSIONS: | | CHK D. HARMON 16 JAN 2018 | NAME RECEPTACLE ASSEMBLY, VERTICAL, 84 POSITION, SLIVER 2.0 | |
| mm | TOLERANCES UNLESS OTHERWISE SPECIFIED: | APVD D. HARMON 16 JAN 2018 | PRODUCT SPEC 108-130021 | |
| | 0 PLC ± | APPLICATION SPEC 114-130008 | SIZE A1 | |
| | 1 PLC ± | WEIGHT | CAGE CODE DRAWING NO - C=2327678 | |
| | 2 PLC ± | FINISH | RESTRICTED TO | |
| | 3 PLC ± | | SCALE 10:1 SHEET 3 OF 4 REV C | |
| | 4 PLC ± | | | |
| | ANGLES ± | | | |
| MATERIAL | | | | |
| CUSTOMER DRAWING | | | | |

| REVISIONS | | | | |
|-----------|------|-------------|-----|------|
| # | DATE | DESCRIPTION | OWN | APVD |
| - | - | SEE SHEET 1 | - | - |

TABLE 1: CONNECTOR CONTACT IDENTIFICATION

| CONTACT NUMBER | SIDE A | SIDE B |
|----------------|--------|--------|
| 1 | GROUND | GROUND |
| 2 | SIGNAL | SIGNAL |
| 3 | SIGNAL | SIGNAL |
| 4 | GROUND | GROUND |
| 5 | SIGNAL | SIGNAL |
| 6 | SIGNAL | SIGNAL |
| 7 | GROUND | GROUND |
| 8 | SIGNAL | SIGNAL |
| 9 | SIGNAL | SIGNAL |
| 10 | GROUND | GROUND |
| 11 | SIGNAL | SIGNAL |
| 12 | SIGNAL | SIGNAL |
| 13 | GROUND | GROUND |
| 14 | SIGNAL | SIGNAL |
| 15 | SIGNAL | SIGNAL |
| 16 | GROUND | GROUND |
| 17 | SIGNAL | SIGNAL |
| 18 | SIGNAL | SIGNAL |
| 19 | GROUND | GROUND |
| 20 | SIGNAL | SIGNAL |
| 21 | SIGNAL | SIGNAL |
| 22 | GROUND | GROUND |
| 23 | SIGNAL | SIGNAL |
| 24 | SIGNAL | SIGNAL |
| 25 | GROUND | GROUND |
| 26 | SIGNAL | SIGNAL |
| 27 | SIGNAL | SIGNAL |
| 28 | GROUND | GROUND |
| 29 | GROUND | GROUND |
| 30 | SIGNAL | SIGNAL |
| 31 | SIGNAL | SIGNAL |
| 32 | GROUND | GROUND |
| 33 | SIGNAL | SIGNAL |
| 34 | SIGNAL | SIGNAL |
| 35 | GROUND | GROUND |
| 36 | SIGNAL | SIGNAL |
| 37 | SIGNAL | SIGNAL |
| 38 | GROUND | GROUND |
| 39 | SIGNAL | SIGNAL |
| 40 | SIGNAL | SIGNAL |
| 41 | GROUND | GROUND |
| 42 | GROUND | GROUND |

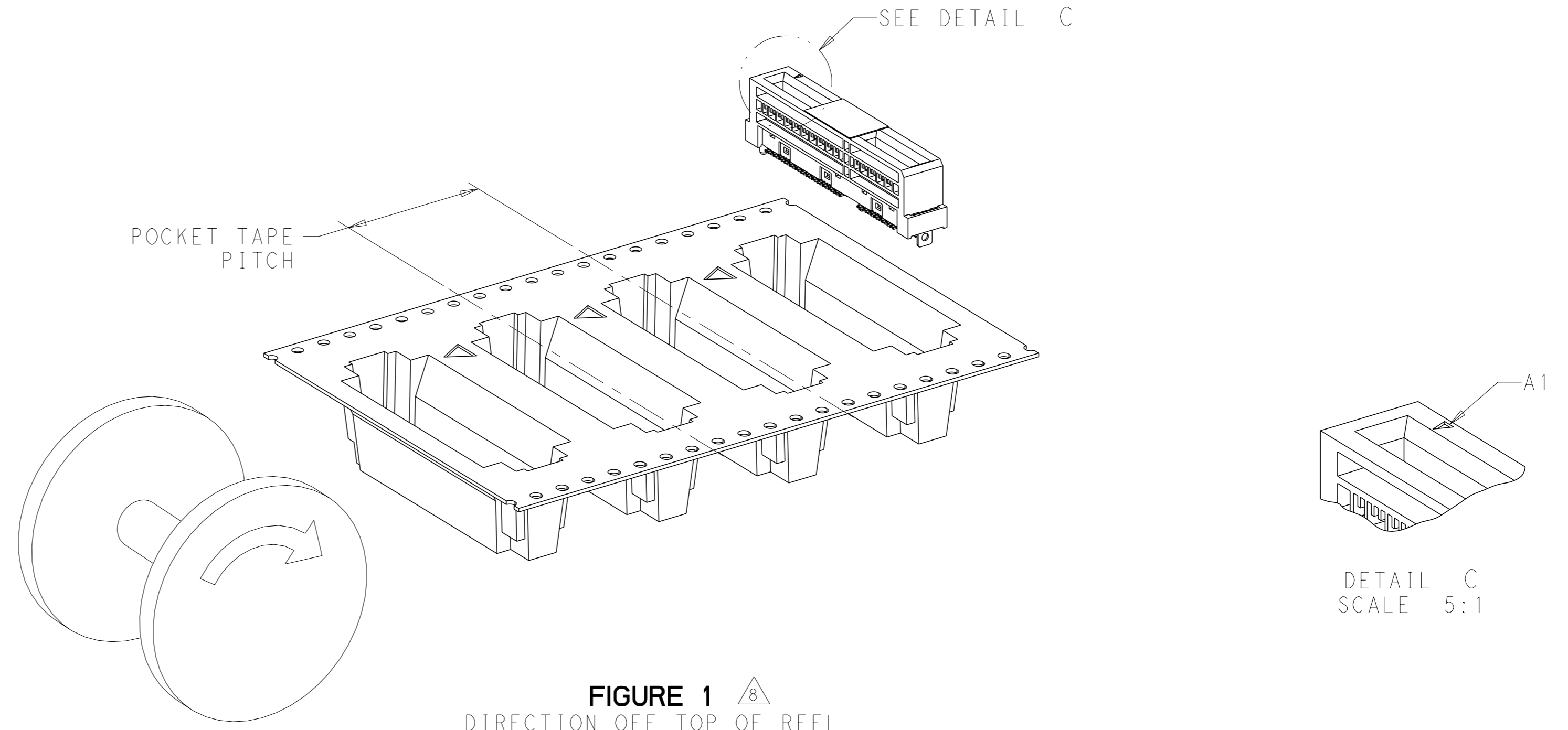


FIGURE 1
 DIRECTION OFF TOP OF REEL
 FOR USER UNREELING
 SHOWN AS 2327678-1 THRU 2327678-9
 SCALE 2:1

| | | | | | | | |
|---------|------------|---------------|-------------------|---------------|---------------------|---------------|-------------|
| 3.0±0.1 | ALL | 0.76µm Au | 20 | 250 | YES | 200 | 3-2327678-3 |
| 1.2±0.1 | ENDS | 0.76µm Au | 24 | 250 | NO | 200 | 1-2327678-9 |
| | | 0.38µm Au | | | | 100 | 1-2327678-8 |
| 1.8±0.1 | ENDS | 0.76µm Au | 24 | 250 | NO | 200 | 1-2327678-6 |
| | | 0.38µm Au | | | | 100 | 1-2327678-5 |
| | | FLASH Au/PdNi | | | | 50 | 1-2327678-4 |
| 1.8±0.1 | ALL | 0.76µm Au | 24 | 250 | NO | 200 | 1-2327678-3 |
| | | 0.38µm Au | | | | 100 | 1-2327678-2 |
| | | FLASH Au/PdNi | | | | 50 | 1-2327678-1 |
| 1.2±0.1 | ENDS | 0.76µm Au | 20 | 350 | YES | 200 | 2327678-9 |
| | | 0.38µm Au | | | | 100 | 2327678-8 |
| | | FLASH Au/PdNi | | | | 50 | 2327678-7 |
| 1.8±0.1 | ENDS | 0.76µm Au | 20 | 350 | YES | 200 | 2327678-6 |
| | | 0.38µm Au | | | | 100 | 2327678-5 |
| | | FLASH Au/PdNi | | | | 50 | 2327678-4 |
| 1.8±0.1 | ALL | 0.76µm Au | 20 | 350 | YES | 200 | 2327678-3 |
| | | 0.38µm Au | | | | 100 | 2327678-2 |
| | | FLASH Au/PdNi | | | | 50 | 2327678-1 |
| A | HOLD DOWNS | PLATING | POCKET TAPE PITCH | REEL QUANTITY | PICK AND PLACE TAPE | MATING CYCLES | PART NUMBER |

THIS DRAWING IS A CONTROLLED DOCUMENT. **TE** Connectivity

OWN: C. VALENTINE 16 JAN 2018
 CHK: D. HARMON 16 JAN 2018
 APVD: D. HARMON 16 JAN 2018

DIMENSIONS: mm
 TOLERANCES UNLESS OTHERWISE SPECIFIED:
 0 PLC ±
 1 PLC ±
 2 PLC ±
 3 PLC ±
 4 PLC ±
 ANGLES FINISH

MATERIAL: 114-130008
 WEIGHT: -

PRODUCT SPEC: 108-130021
 APPLICATION SPEC: -

SIZE: A1
 CAGE CODE: -
 DRAWING NO: 2327678
 RESTRICTED TO: -

CUSTOMER DRAWING
 SCALE: 10:1
 SHEET: 4 OF 4
 REV: C

X-ON Electronics

Largest Supplier of Electrical and Electronic Components

Click to view similar products for [Standard Card Edge Connectors](#) category:

Click to view products by [TE Connectivity](#) manufacturer:

Other Similar products are found below :

[CR7E-30DB-3.96E\(72\)](#) [6364499-1](#) [6565204-6](#) [PKC-156](#) [1437274-4](#) [147889-1](#) [1489165-4](#) [EBT15622B2X](#) [1-582587-1](#) [284-0102-12100](#)
[286-0052-12101A](#) [306022901000000](#) [307-012-502-202](#) [307-056-520-300](#) [2129318-1](#) [245-062-520-350](#) [287-0032-12101](#) [306-028-525-102](#)
[307-072-526-202](#) [345-060-559-303](#) [392-008-559-201](#) [534671-1](#) [341-240-317](#) [345-044-500-300](#) [346-240-318](#) [395-100-524-300](#) [09-07-2032](#)
[10035388-802LF](#) [10115859-011LF](#) [10122859-009LF](#) [10127905-B04B24BLF](#) [530555-1](#) [5-678046-1](#) [73726-0005](#) [66308-1](#) [1-1437275-6](#)
[PEC-07-02-T-S-A](#) [346-014-520-801](#) [307-048-502-202](#) [CE100F22-9-C](#) [CE100F26-7-C](#) [CE100F28-3-D](#) [CE156F18-9-C](#) [CE156F22-5-D](#)
[CE156F22-9-C](#) [CT100F22-2-D](#) [CT100F22-3-D](#) [CT100F24-2-D](#) [CT100F24-3-D](#) [CT100F24-6-C](#)