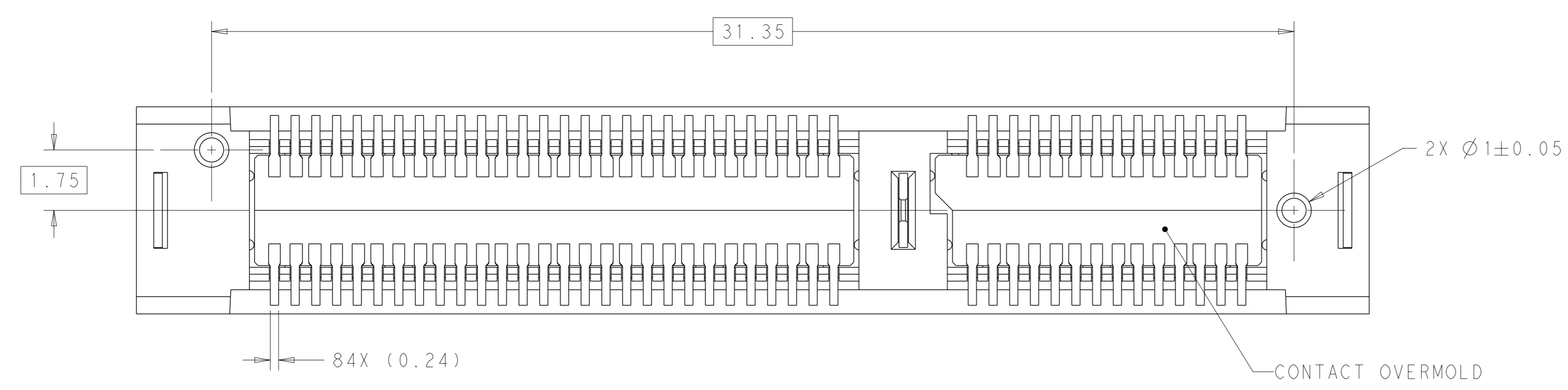
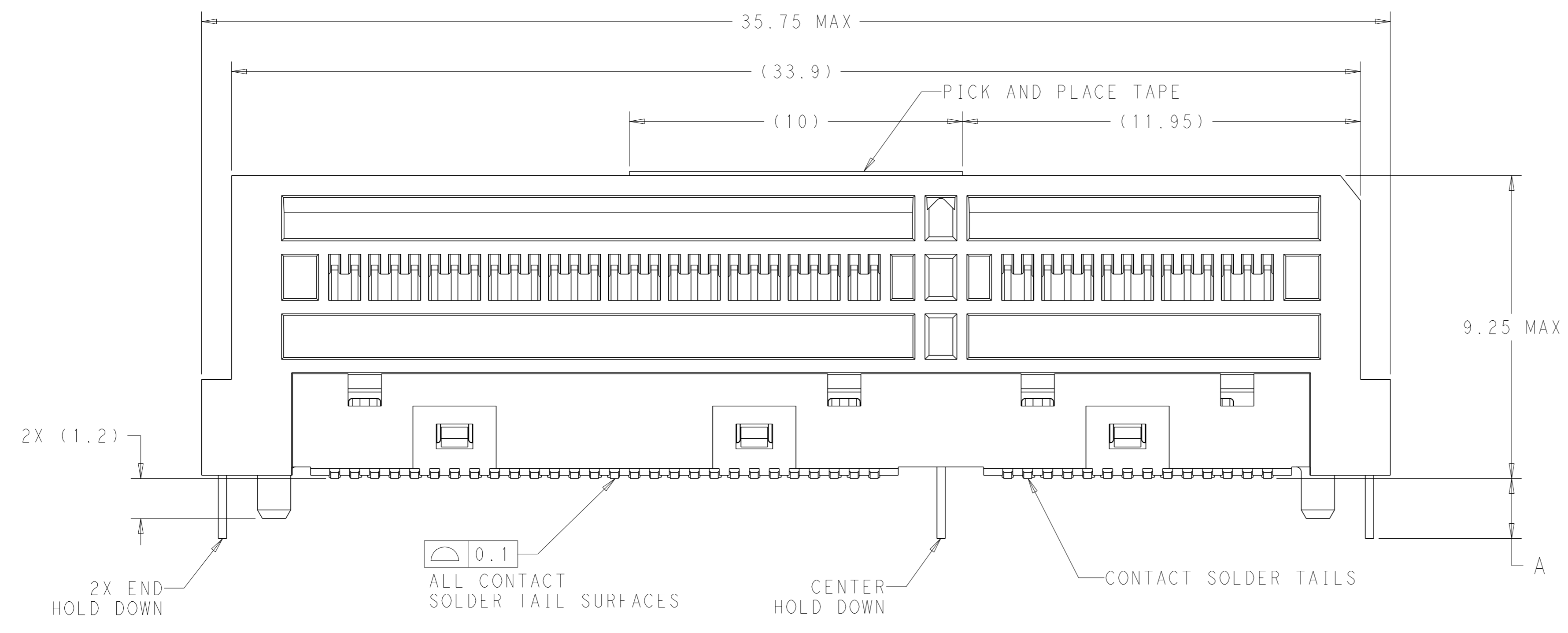
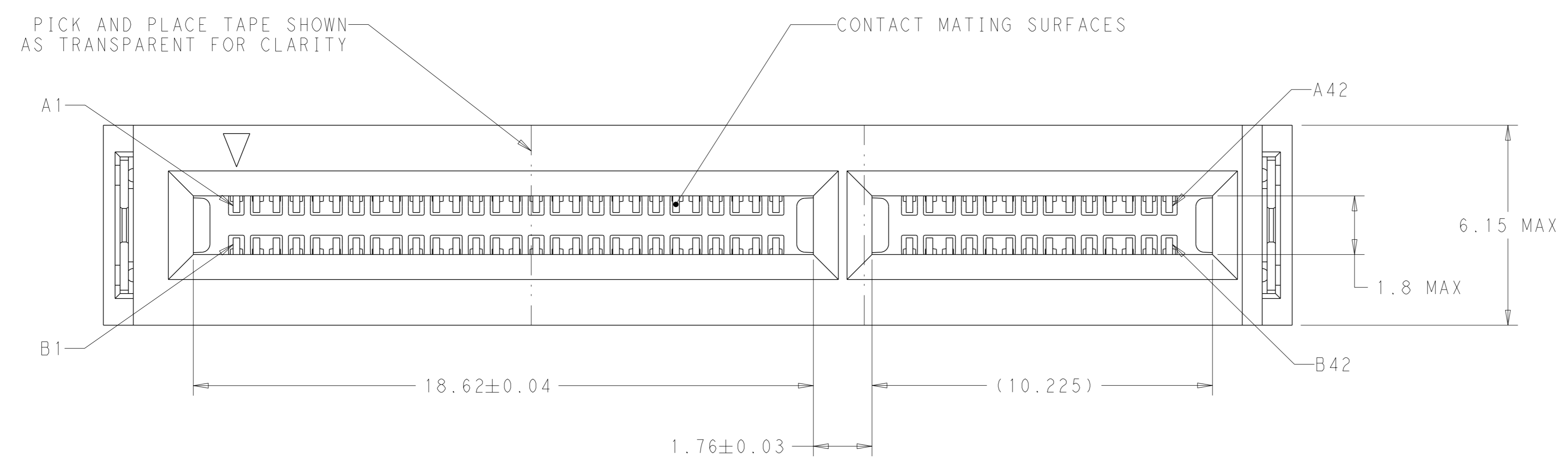
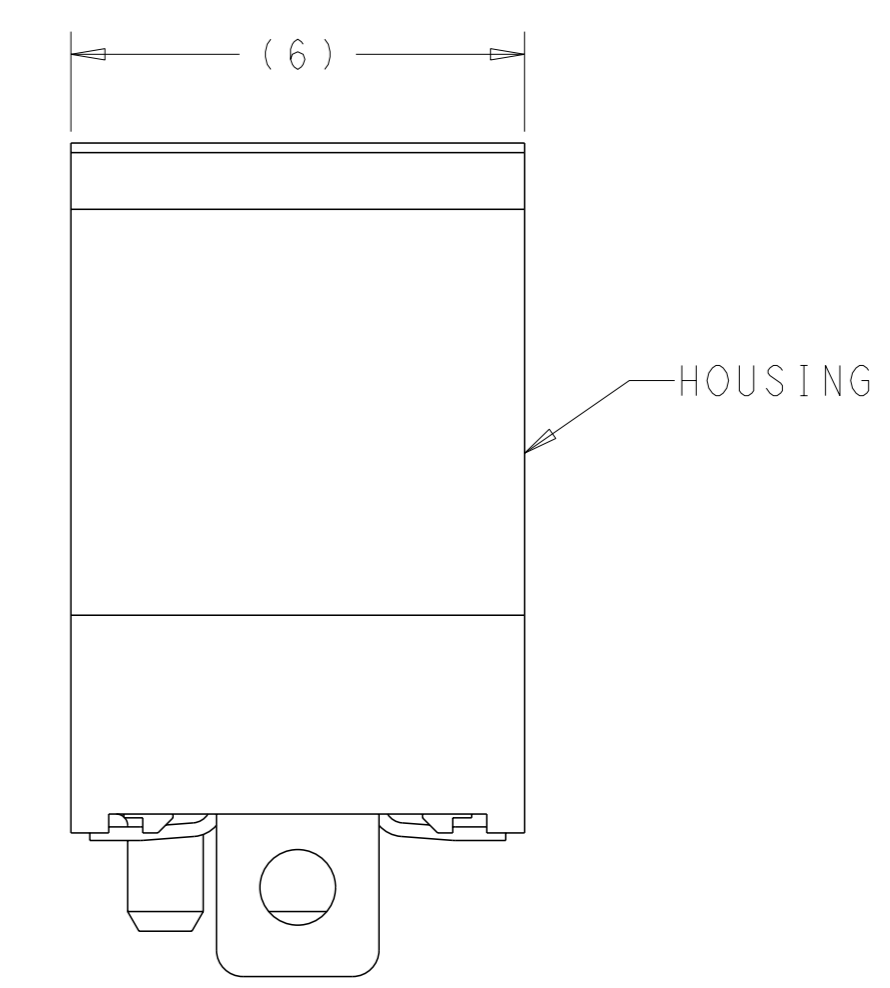


REVISIONS				
#	LY#	DESCRIPTION	DATE	OWN / APVD
A		RELEASED	17MAY2019	CJV / JW
B		REVISED PER ECO-19-011736	07AUG2019	AP / JW
C		REVISED PER ECO-20-015351	28OCT2020	TX / DZ



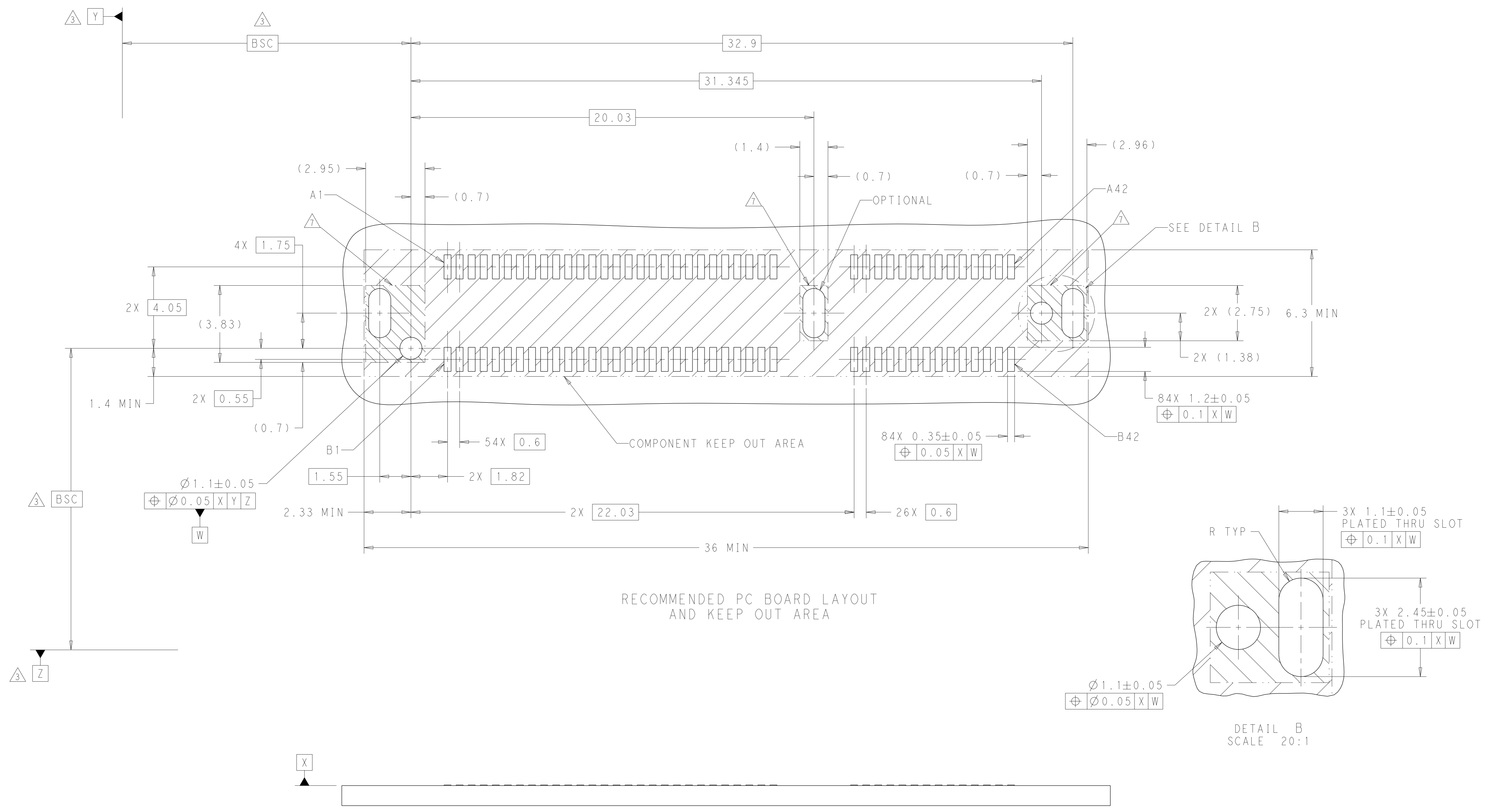
- ⚠ HOUSING AND CONTACT OVERMOLDS - LCP, UL94-V0, BLACK. CONTACTS AND HOLD DOWNS - COPPER ALLOY. PICK AND PLACE TAPE - POLYIMIDE FILM.
- ⚠ CONTACTS - GOLD PLATE ON MATING SURFACES, TIN PLATE ON SOLDER FEET. HOLD DOWNS - TIN PLATE.
- ⚠ DATUMS AND BASIC DIMENSIONS ESTABLISHED BY CUSTOMER.
- 4. MINIMUM HOST PCB THICKNESS: 1.5.
- ⚠ SEE MSA SPECIFICATION FOR ADDITIONAL PADDLE CARD LAYOUTS COMPATIBLE WITH THIS RECEPTACLE AND FOR OPTIONAL SPLIT CONTACT PAD LAYOUTS FOR THE PADDLE CARD. SPECIFICATION PINOUT MAY ALSO DESIGNATE PAD SEQUENCE DIFFERENT FROM ILLUSTRATION.
- ⚠ POSITIONS DESIGNATED AS "SIGNAL" ARE REQUIRED LOCATIONS FOR HIGH SPEED DIFFERENTIAL PAIR SIGNALING. THESE LOCATIONS MAY ALSO BE USED FOR SUPPORTING SIDEBAND SIGNALS OR OTHER UTILITY PURPOSES. POSITIONS DESIGNATED AS "GROUND" ARE REQUIRED WHEN SUPPORTING HIGH SPEED DIFFERENTIAL SIGNALS. THESE LOCATIONS MAY ALSO BE USED FOR SIDEBAND SIGNALS OR OTHER UTILITY PURPOSES.
- ⚠ COMPONENT AND TRACE KEEP OUT AREA. EACH EDGE 0.15 MIN FROM EDGE OF HOLE.
- ⚠ TAPE AND REEL PACKAGED FOR PICK AND PLACE SMT PROCESSING, SEE FIGURE 1. POCKET TAPE WIDTH = 56.



SEE SHEET 4 FOR PART TABLE

THIS DRAWING IS A CONTROLLED DOCUMENT.		OWN: C. VALENTINE 16 JAN 2018	TE Connectivity
		CHK: D. HARMON 16 JAN 2018	
DIMENSIONS:		APVD: D. HARMON 16 JAN 2018	NAME: RECEPTACLE ASSEMBLY, VERTICAL, 84 POSITION, SLIVER 2.0
mm	TOLERANCES UNLESS OTHERWISE SPECIFIED:	PRODUCT SPEC	APPLICATION SPEC
	0 PLC ±	108-130021	
	2 PLC ±	114-130008	
	3 PLC ±		
	4 PLC ±		
	ANGLES FINISH	SIZE: A1	CAGE CODE: -
MATERIAL		WEIGHT: -	DRAWING NO: C=2327678
		CUSTOMER DRAWING	SCALE: 10:1 SHEET: 1 OF 4 REV: C

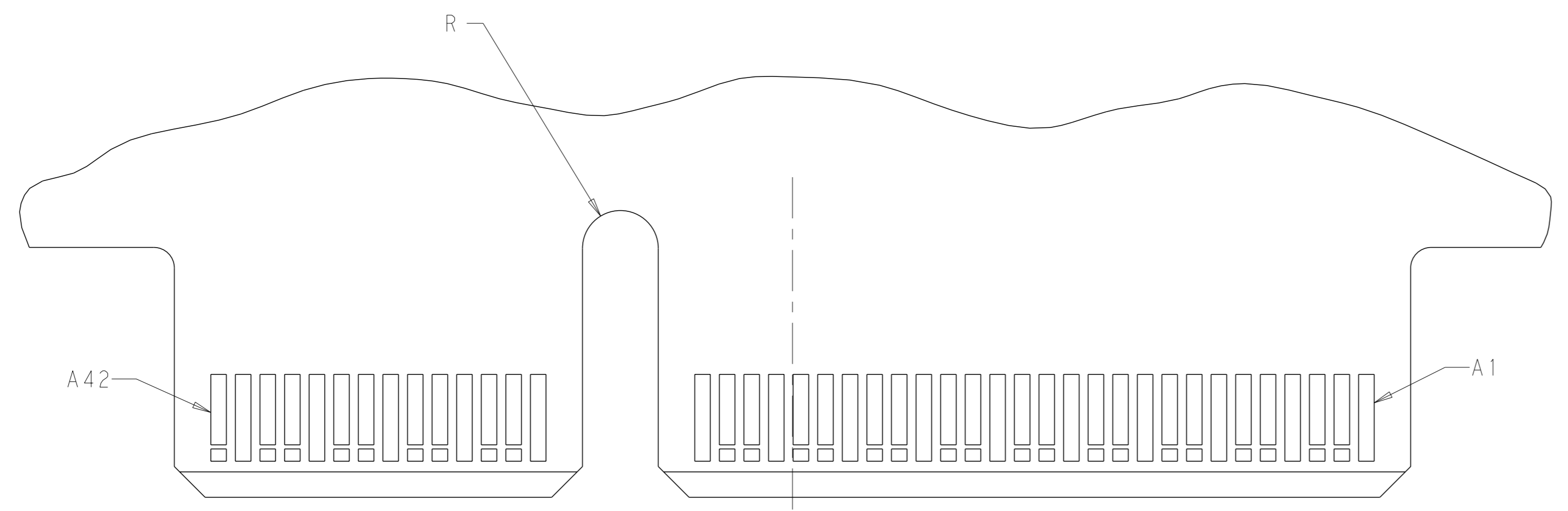
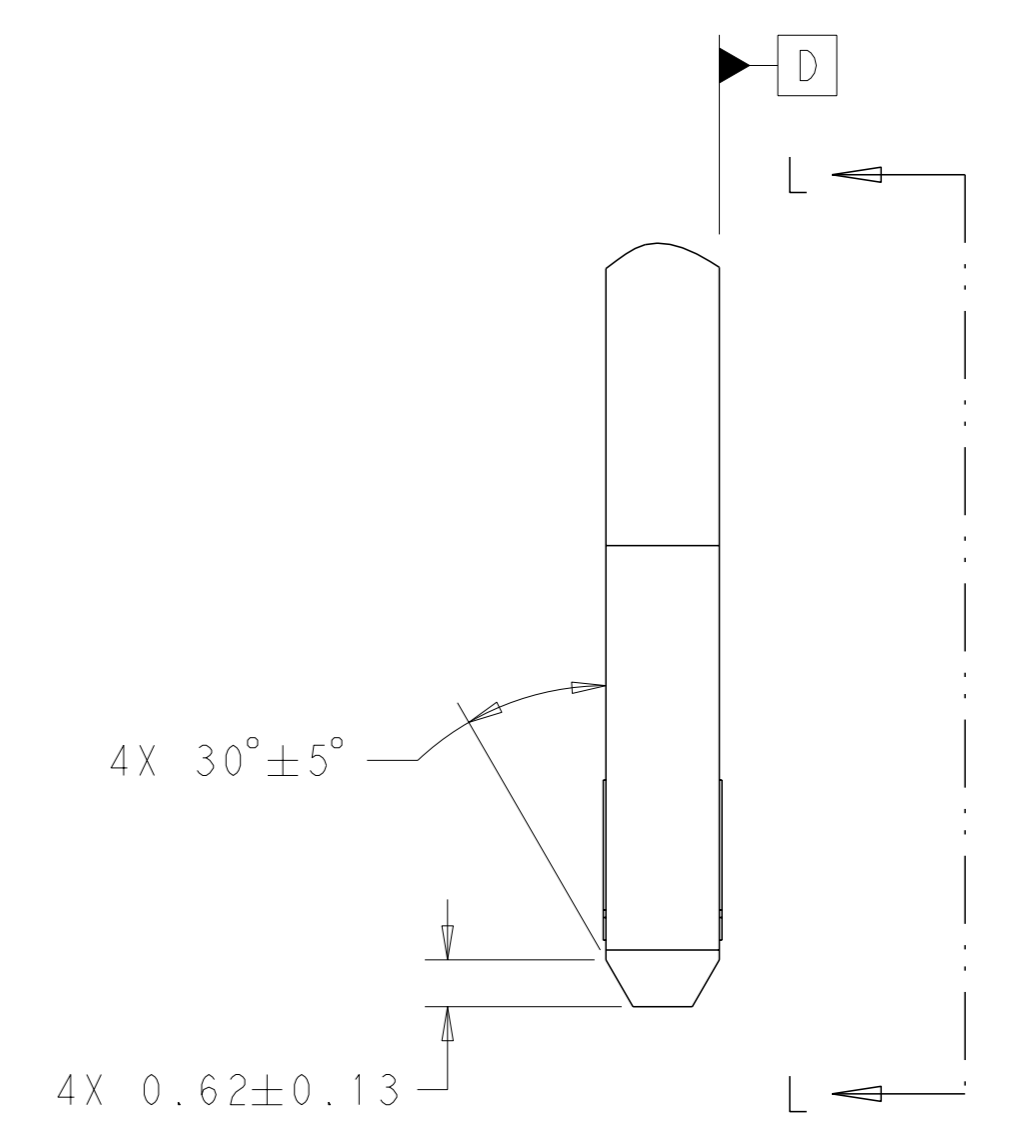
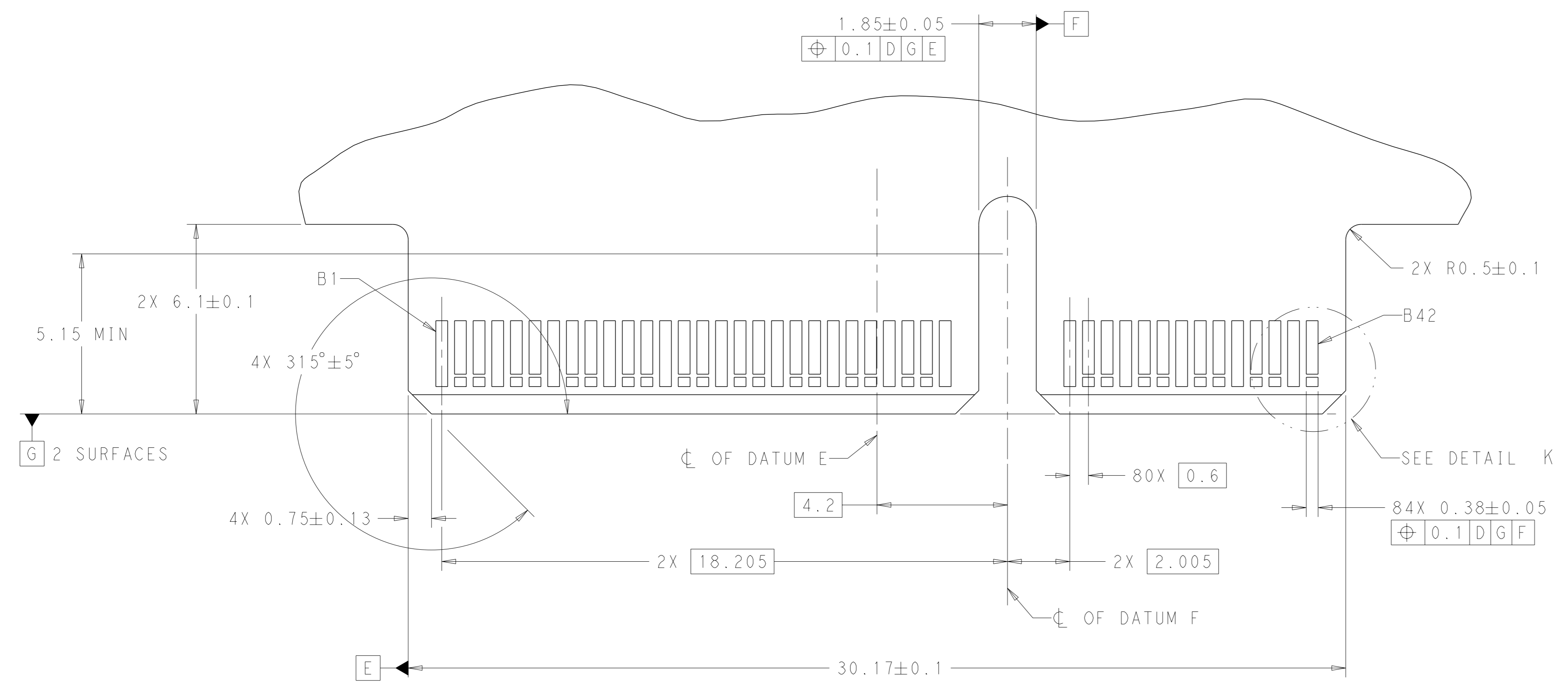
REVISIONS				
P.	LYR	DESCRIPTION	DATE	APVD
-	-	SEE SHEET 1	-	-



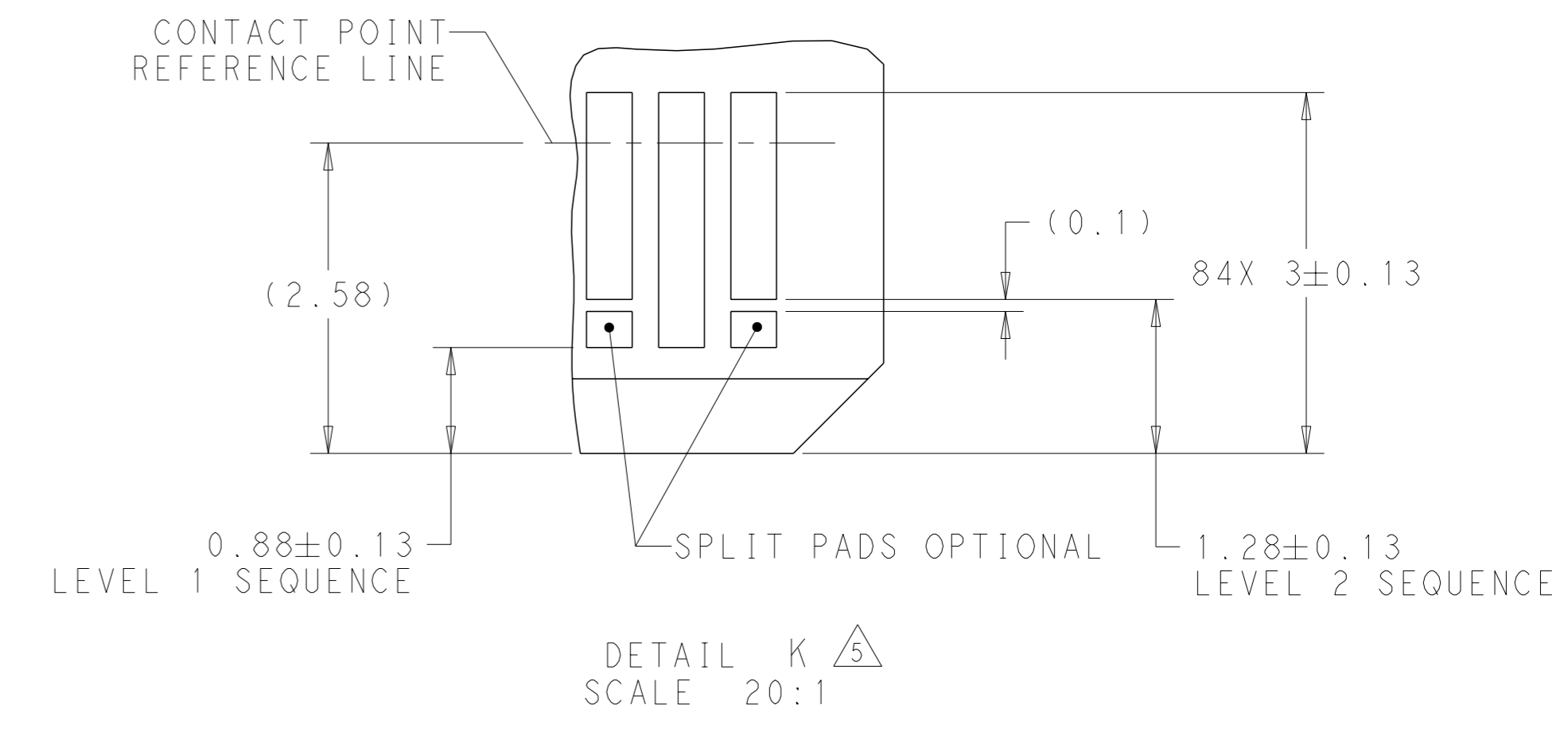
THIS DRAWING IS A CONTROLLED DOCUMENT.		OWN C. VALENTINE 16 JAN 2018	TE Connectivity
DIMENSIONS:		CHK D. HARMON 16 JAN 2018	
mm	TOLERANCES UNLESS OTHERWISE SPECIFIED:	APVD D. HARMON 16 JAN 2018	NAME RECEPTACLE ASSEMBLY, VERTICAL, 84 POSITION, SLIVER 2.0
	0 PLC ± 2 PLC ± 3 PLC ± 4 PLC ± ANGLES ° ±	PRODUCT SPEC 108-130021	SIZE A1
MATERIAL	FINISH	APPLICATION SPEC 114-130008	CAGE CODE DRAWING NO - C=2327678
		WEIGHT -	RESTRICTED TO -
		CUSTOMER DRAWING	SCALE 10:1 SHEET 2 OF 4 REV C

REVISIONS				
#	LY#	DESCRIPTION	DATE	OWN
-	-	SEE SHEET 1	-	-

RECOMMENDED PCB OUTLINE DIMENSIONS.
 TOLERANCE VALUES ARE CRITICAL. PLEASE BE SURE TO DESIGNATE
 TOLERANCES TO PCB SUPPLIER TO ENSURE OPTIMIZED FUNCTIONALITY.



VIEW L-L



THIS DRAWING IS A CONTROLLED DOCUMENT.		OWN C. VALENTINE 16 JAN 2018	TE Connectivity	
DIMENSIONS:		CHK D. HARMON 16 JAN 2018	NAME RECEPTACLE ASSEMBLY, VERTICAL, 84 POSITION, SLIVER 2.0	
mm	TOLERANCES UNLESS OTHERWISE SPECIFIED:	APVD D. HARMON 16 JAN 2018	PRODUCT SPEC 108-130021	
0 PLC ±	1 PLC ±	APPLICATION SPEC 114-130008	SIZE A1	
2 PLC ±	3 PLC ±	WEIGHT	CAGE CODE DRAWING NO - C=2327678	
4 PLC ±	ANGLES ±	MATERIAL	RESTRICTED TO	
FINISH		CUSTOMER DRAWING	SCALE 10:1 SHEET 3 OF 4 REV C	

REVISIONS				
#	DATE	DESCRIPTION	OWN	APVD
-	-	SEE SHEET 1	-	-

TABLE 1: CONNECTOR CONTACT IDENTIFICATION

CONTACT NUMBER	SIDE A	SIDE B
1	GROUND	GROUND
2	SIGNAL	SIGNAL
3	SIGNAL	SIGNAL
4	GROUND	GROUND
5	SIGNAL	SIGNAL
6	SIGNAL	SIGNAL
7	GROUND	GROUND
8	SIGNAL	SIGNAL
9	SIGNAL	SIGNAL
10	GROUND	GROUND
11	SIGNAL	SIGNAL
12	SIGNAL	SIGNAL
13	GROUND	GROUND
14	SIGNAL	SIGNAL
15	SIGNAL	SIGNAL
16	GROUND	GROUND
17	SIGNAL	SIGNAL
18	SIGNAL	SIGNAL
19	GROUND	GROUND
20	SIGNAL	SIGNAL
21	SIGNAL	SIGNAL
22	GROUND	GROUND
23	SIGNAL	SIGNAL
24	SIGNAL	SIGNAL
25	GROUND	GROUND
26	SIGNAL	SIGNAL
27	SIGNAL	SIGNAL
28	GROUND	GROUND
29	GROUND	GROUND
30	SIGNAL	SIGNAL
31	SIGNAL	SIGNAL
32	GROUND	GROUND
33	SIGNAL	SIGNAL
34	SIGNAL	SIGNAL
35	GROUND	GROUND
36	SIGNAL	SIGNAL
37	SIGNAL	SIGNAL
38	GROUND	GROUND
39	SIGNAL	SIGNAL
40	SIGNAL	SIGNAL
41	GROUND	GROUND
42	GROUND	GROUND

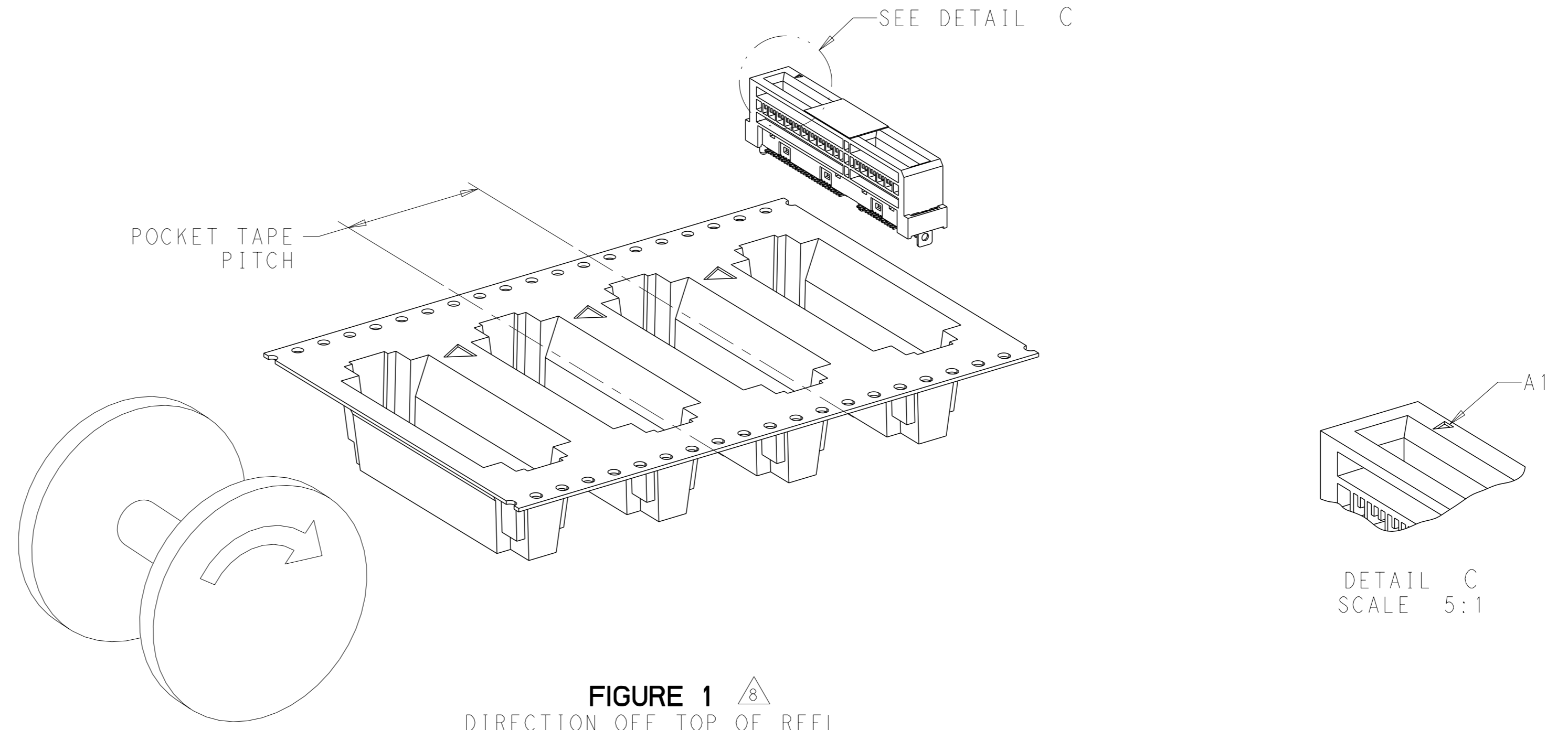


FIGURE 1
 DIRECTION OFF TOP OF REEL
 FOR USER UNREELING
 SHOWN AS 2327678-1 THRU 2327678-9
 SCALE 2:1

3.0±0.1	ALL	0.76µm Au	20	250	YES	200	3-2327678-3
1.2±0.1	ENDS	0.76µm Au	24	250	NO	200	1-2327678-9
		0.38µm Au				100	1-2327678-8
1.8±0.1	ENDS	FLASH Au/PdNi	24	250	NO	50	1-2327678-7
		0.76µm Au				200	1-2327678-6
		0.38µm Au				100	1-2327678-5
1.8±0.1	ALL	FLASH Au/PdNi	24	250	NO	50	1-2327678-4
		0.76µm Au				200	1-2327678-3
		0.38µm Au				100	1-2327678-2
1.2±0.1	ENDS	0.76µm Au	20	350	YES	200	2327678-9
		0.38µm Au				100	2327678-8
		FLASH Au/PdNi				50	2327678-7
1.8±0.1	ENDS	0.76µm Au	20	350	YES	200	2327678-6
		0.38µm Au				100	2327678-5
		FLASH Au/PdNi				50	2327678-4
1.8±0.1	ALL	0.76µm Au	20	350	YES	200	2327678-3
		0.38µm Au				100	2327678-2
		FLASH Au/PdNi				50	2327678-1
A	HOLD DOWNS	PLATING	POCKET TAPE PITCH	REEL QUANTITY	PICK AND PLACE TAPE	MATING CYCLES	PART NUMBER

THIS DRAWING IS A CONTROLLED DOCUMENT. **STE** TE Connectivity

OWN: C. VALENTINE 16 JAN 2018
 CHK: D. HARMON 16 JAN 2018
 APVD: D. HARMON 16 JAN 2018

DIMENSIONS: mm
 TOLERANCES UNLESS OTHERWISE SPECIFIED:
 0 PLC ±
 1 PLC ±
 2 PLC ±
 3 PLC ±
 4 PLC ±
 ANGLES FINISH ±

MATERIAL: 114-130008
 WEIGHT: -

PRODUCT SPEC: 108-130021
 APPLICATION SPEC: -

SIZE: A1
 CAGE CODE: -
 DRAWING NO: 2327678
 RESTRICTED TO: -

CUSTOMER DRAWING SCALE: 10:1 SHEET: 4 OF 4 REV: C

X-ON Electronics

Largest Supplier of Electrical and Electronic Components

Click to view similar products for [Standard Card Edge Connectors](#) category:

Click to view products by [TE Connectivity](#) manufacturer:

Other Similar products are found below :

[CR7E-30DB-3.96E\(72\)](#) [6364499-1](#) [6565204-6](#) [PKC-156](#) [1437274-4](#) [147889-1](#) [1489165-4](#) [EBT15622B2X](#) [1-582587-1](#) [284-0102-12100](#)
[286-0052-12101A](#) [306022901000000](#) [307-012-502-202](#) [307-056-520-300](#) [2129318-1](#) [245-062-520-350](#) [287-0032-12101](#) [306-028-525-102](#)
[307-072-526-202](#) [345-060-559-303](#) [392-008-559-201](#) [534671-1](#) [341-240-317](#) [345-044-500-300](#) [346-240-318](#) [395-100-524-300](#) [09-07-2032](#)
[10035388-802LF](#) [10115859-011LF](#) [10122859-009LF](#) [10127905-B04B24BLF](#) [530555-1](#) [5-678046-1](#) [73726-0005](#) [66308-1](#) [1-1437275-6](#)
[PEC-07-02-T-S-A](#) [346-014-520-801](#) [307-048-502-202](#) [CE100F22-9-C](#) [CE100F26-7-C](#) [CE100F28-3-D](#) [CE156F18-9-C](#) [CE156F22-5-D](#)
[CE156F22-9-C](#) [CT100F22-2-D](#) [CT100F22-3-D](#) [CT100F24-2-D](#) [CT100F24-3-D](#) [CT100F24-6-C](#)