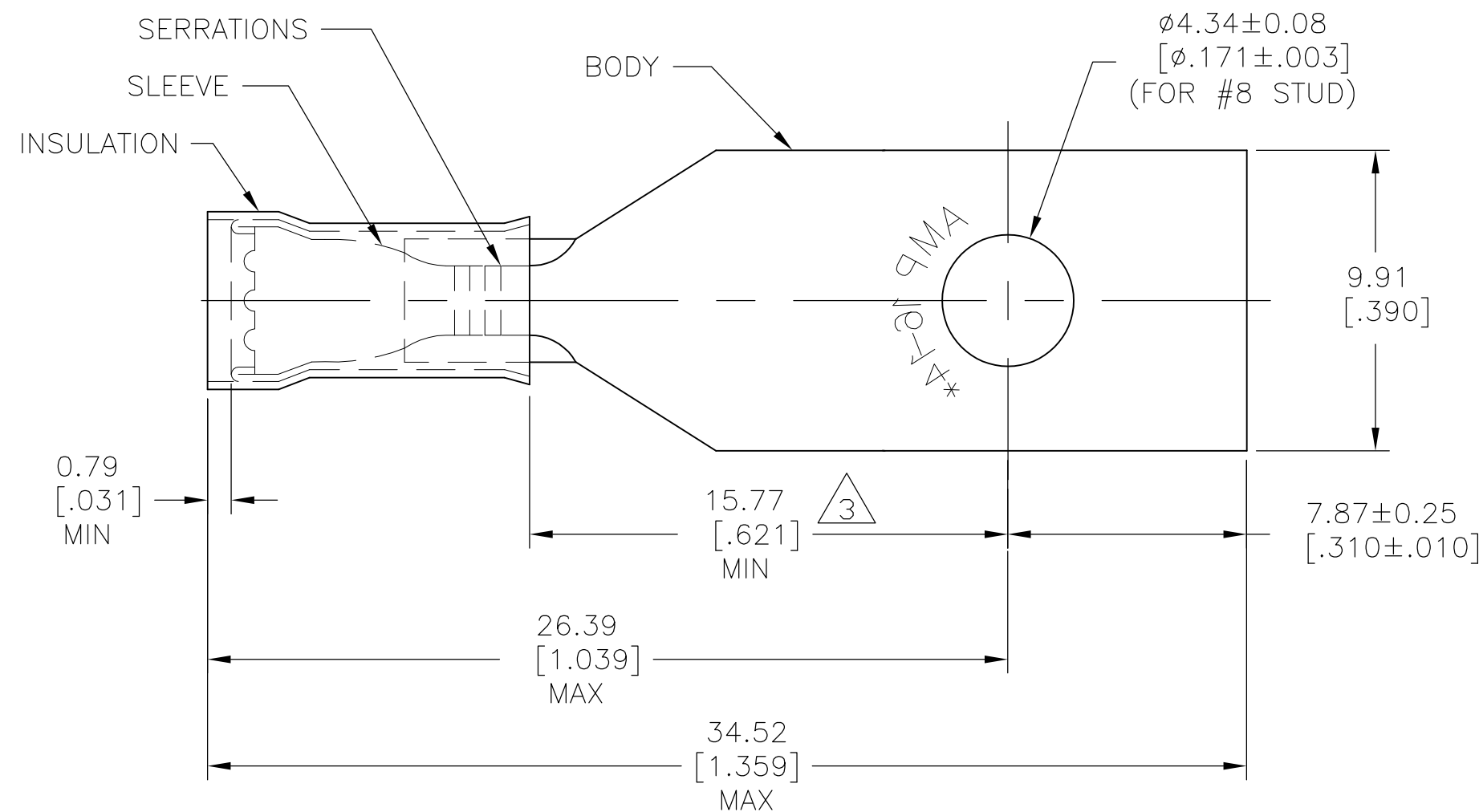


THIS DRAWING IS UNPUBLISHED. RELEASED FOR PUBLICATION
 © COPYRIGHT BY TYCO ELECTRONICS CORPORATION. ALL INTERNATIONAL RIGHTS RESERVED.

LOC	DIST	REVISIONS					
G	14	P	LTR	DESCRIPTION	DATE	DWN	APVD
		J2		REVISED PER ECR-09-026553	04DEC09	JR	TM



- 1 TONGUE MATERIAL THK: 0.79 ± 0.05 [.031 ± .002]
- 2 FOR "A" TO "B" WIRE INSULATION DIA.
- △3 APPLIES FROM THE METAL EDGE OF THE BARREL TO THE CENTER OF THE STUD
- △4 MEETS MS17143-2, CLASS 1 & 2

OBSOLETE	1	WIRE TERMINAL	INSULATION: NYLON (ASTM-D4066) TYPE 1 COLOR: BLUE BODY & SLEEVE: COPPER (ASTM-B152) TIN PL (ASTM-B545)	2-327934-1
OBSOLETE	1	2-327934-2 ON TAPE	INSULATION: NYLON COLOR: BLUE	2-327934-3
	1	WIRE TERMINAL	SLEEVE: COPPER (ASTM-B152) BODY: COPPER (ASTM-B152)	△4 2-327934-2
OBSOLETE	1	WIRE TERMINAL	TIN PL (ASTM-B545)	327934
	QTY	DESCRIPTION	MATERIAL AND FINISH	PART NO

2-327934-2	△4 2-327934-3	2.67 [.105]	3.81 [.150]	
2-327934-1	-	2.92 [.115]	4.32 [.170]	OBSOLETE
327934	-	2.92 [.115]	4.32 [.170]	OBSOLETE
PART NO	PART NO ON TAPE	"A"	"B"	

THIS DRAWING IS A CONTROLLED DOCUMENT.

DIMENSIONS: mm [INCHES]	TOLERANCES UNLESS OTHERWISE SPECIFIED:	DWN RAGHAVENDRA 01SEP09	Tyco Electronics Corporation Harrisburg, PA 17105-3608	
	0 PLC ± -	CHK JEFF RUTH 01SEP09	NAME TOM MICHIELUTTI	
	1 PLC ± -	APVD TOM MICHIELUTTI 01SEP09	PRODUCT SPEC -	
	2 PLC ± -		APPLICATION SPEC -	
	3 PLC ± 0.20 [.008]		SIZE A3	
	4 PLC ± -		CAGE CODE 00779	
	ANGLES ± 5°		DRAWING NO G-327934	
MATERIAL SEE TABLE	FINISH SEE TABLE	WEIGHT -	RESTRICTED TO -	
CUSTOMER DRAWING			SCALE 5:1	SHEET 1 OF 1
			REV J2	

X-ON Electronics

Largest Supplier of Electrical and Electronic Components

Click to view similar products for [Terminals](#) category:

Click to view products by [TE Connectivity](#) manufacturer:

Other Similar products are found below :

[00-054007-01074-6](#) [00-054007-70206-1](#) [00-054007-70210-8](#) [00-054007-70217-7](#) [00-054007-70226-9](#) [00-054007-70228-3](#) [00-054007-70248-1](#) [00-054007-70256-6](#) [00-054007-70301-3](#) [00-054007-70316-7](#) [0-0320562-0](#) [00-054007-49560-4](#) [00-054007-70209-2](#) [00-054007-70225-2](#) [00-054007-70227-6](#) [00-054007-70231-3](#) [00-054007-70241-2](#) [00-054007-70242-9](#) [00-054007-70244-3](#) [00-054007-70246-7](#) [00-054007-70263-4](#) [00-054007-70288-7](#) [00-054007-70290-0](#) [00-054007-70300-6](#) [00-054007-70304-4](#) [01-2065-1-0216](#) [01-2900-1-04412](#) [00581P0075](#) [600TS-10](#) [60205-1](#) [604200-1](#) [605601-1](#) [60598-1-CUT-TAPE](#) [61314-6-C](#) [61810-3](#) [61-S](#) [61-SN](#) [626-0194](#) [62-NBM-A](#) [62-SN](#) [62-SP](#) [63-S](#) [640179-1](#) [M55155/059I03](#) [M55155/079C01](#) [M55155/099H02](#) [M55155/109H01](#) [M55155/109H02](#) [M55155/12XH05](#) [M55155/16XH02](#)