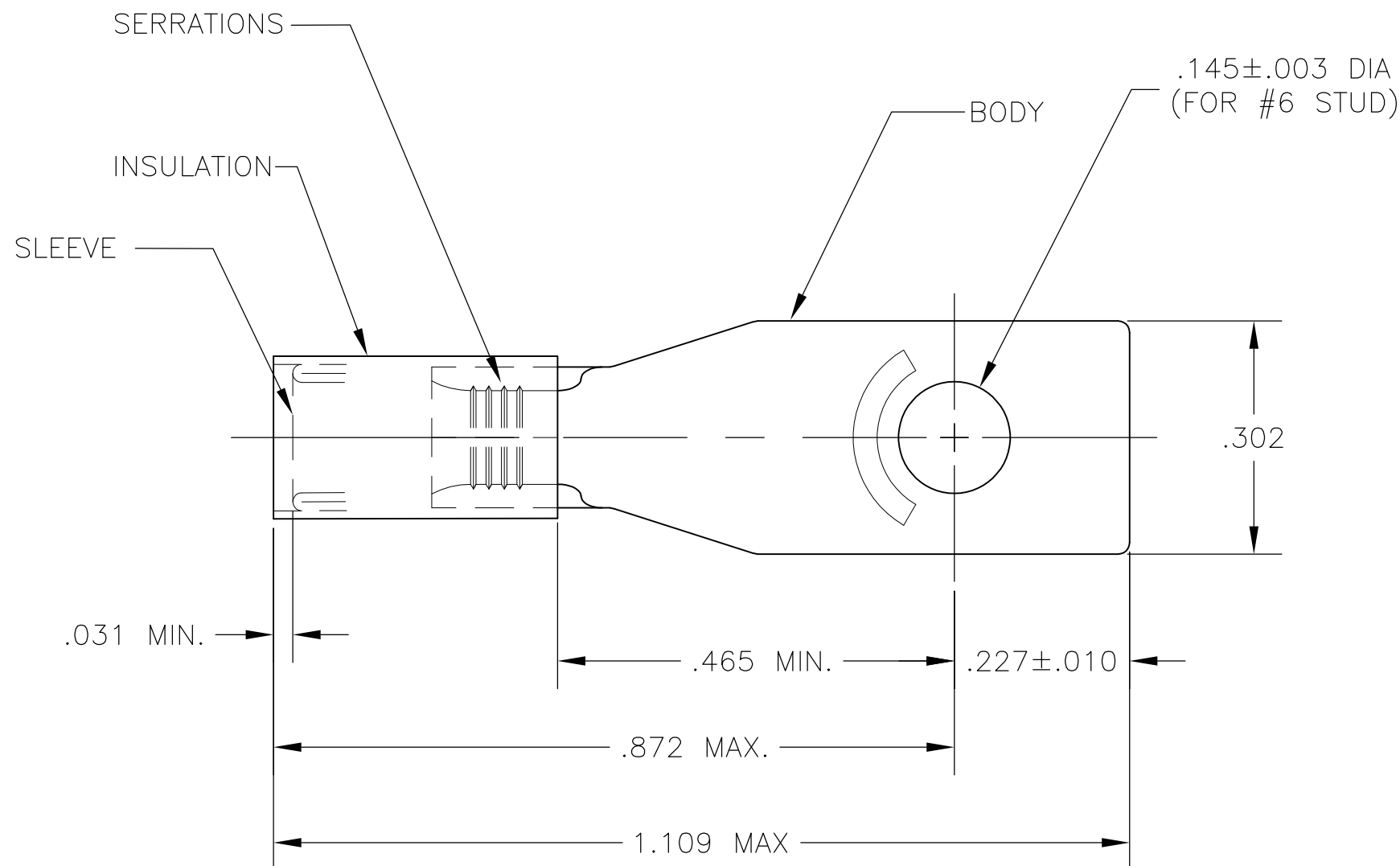


THIS DRAWING IS UNPUBLISHED. RELEASED FOR PUBLICATION
 © COPYRIGHT BY TYCO ELECTRONICS CORPORATION. ALL INTERNATIONAL RIGHTS RESERVED.

LOC	DIST	REVISIONS			
P	LTR	DESCRIPTION	DATE	DWN	APVD
G	02	J2	REVISED PER ECR-09-025663	04DEC09	JR TM



- 1 WIRE INSULATION DIA = .105 TO .140
- 2 TONGUE MATERIAL THK. = .031±.002
- 3 MARKING 22-18 FOR MILITARY COMMERCIAL RANGE 22-16
- △4 FINISH: TIN PLATE (MIL-T-10727) .000100 MIN THK.
- △5 INSULATION PVC-RED
- △6 INSULATION NYLON MIL-M-20693 TYPE I RED
- △7 SUPERSEDED BY 2-327938-1
- △8 MEETS MS17143-4, CLASS 1 & 2
- △9 MEETS MS17143-4, CLASS 2

OBSOLETE	△4	△6	100	ON TAPE, SM BOX	2-327938-5	
OBSOLETE	△4	△6	1000	ON TAPE, LG BOX	2-327938-4	
	△7	△4	△6	5000	ON TAPE, REEL	△9 2-327938-2
		△4	△6	-	LOOSE PIECE	△8 2-327938-1
OBSOLETE		△4	△5	-	LOOSE PIECE	327938
		BODY FINISH	INSUL. MATL.	QTY	DESCRIPTION	PART NO

THIS DRAWING IS A CONTROLLED DOCUMENT.		DWN RAGHAVENDRA 09JUN08	Tyco Electronics Corporation Harrisburg, PA 17105-3608			
DIMENSIONS: INCHES		CHK T MICHIELUTTI 09JUN08	NAME			
TOLERANCES UNLESS OTHERWISE SPECIFIED:		APVD T MICHIELUTTI 09JUN08	PRODUCT SPEC			
0 PLC ± - 1 PLC ± - 2 PLC ± - 3 PLC ± .008 4 PLC ± - ANGLES ± -		APPLICATION SPEC		TERMIAL, PIDG, RECTANGULAR TONGUE WIRE SIZE : 22-16		
MATERIAL SEE TABLE	FINISH SEE TEBLE	WEIGHT -	SIZE A3	CAGE CODE 00779	DRAWING NO G-327938	RESTRICTED TO -
CUSTOMER DRAWING			SCALE 5:1	SHEET 1 OF 1	REV J2	

X-ON Electronics

Largest Supplier of Electrical and Electronic Components

Click to view similar products for [Terminals](#) category:

Click to view products by [TE Connectivity](#) manufacturer:

Other Similar products are found below :

[00-054007-01074-6](#) [00-054007-70206-1](#) [00-054007-70210-8](#) [00-054007-70217-7](#) [00-054007-70226-9](#) [00-054007-70228-3](#) [00-054007-70248-1](#) [00-054007-70256-6](#) [00-054007-70301-3](#) [00-054007-70316-7](#) [00-054007-49560-4](#) [00-054007-70209-2](#) [00-054007-70225-2](#) [00-054007-70227-6](#) [00-054007-70231-3](#) [00-054007-70241-2](#) [00-054007-70242-9](#) [00-054007-70244-3](#) [00-054007-70246-7](#) [00-054007-70263-4](#) [00-054007-70288-7](#) [00-054007-70290-0](#) [00-054007-70300-6](#) [00-054007-70304-4](#) [01-2065-1-0216](#) [01-2900-1-04412](#) [00581P0075](#) [600TS-10](#) [60205-1](#) [604200-1](#) [605601-1](#) [60598-1-CUT-TAPE](#) [61314-6-C](#) [61810-3](#) [61-S](#) [61-SN](#) [626-0194](#) [62-NBM-A](#) [62-SN](#) [62-SP](#) [63-S](#) [640179-1](#) [M55155/059I03](#) [M55155/079C01](#) [M55155/099H02](#) [M55155/109H01](#) [M55155/109H02](#) [M55155/12XH05](#) [M55155/16XH02](#) [M55155/29-5S](#)