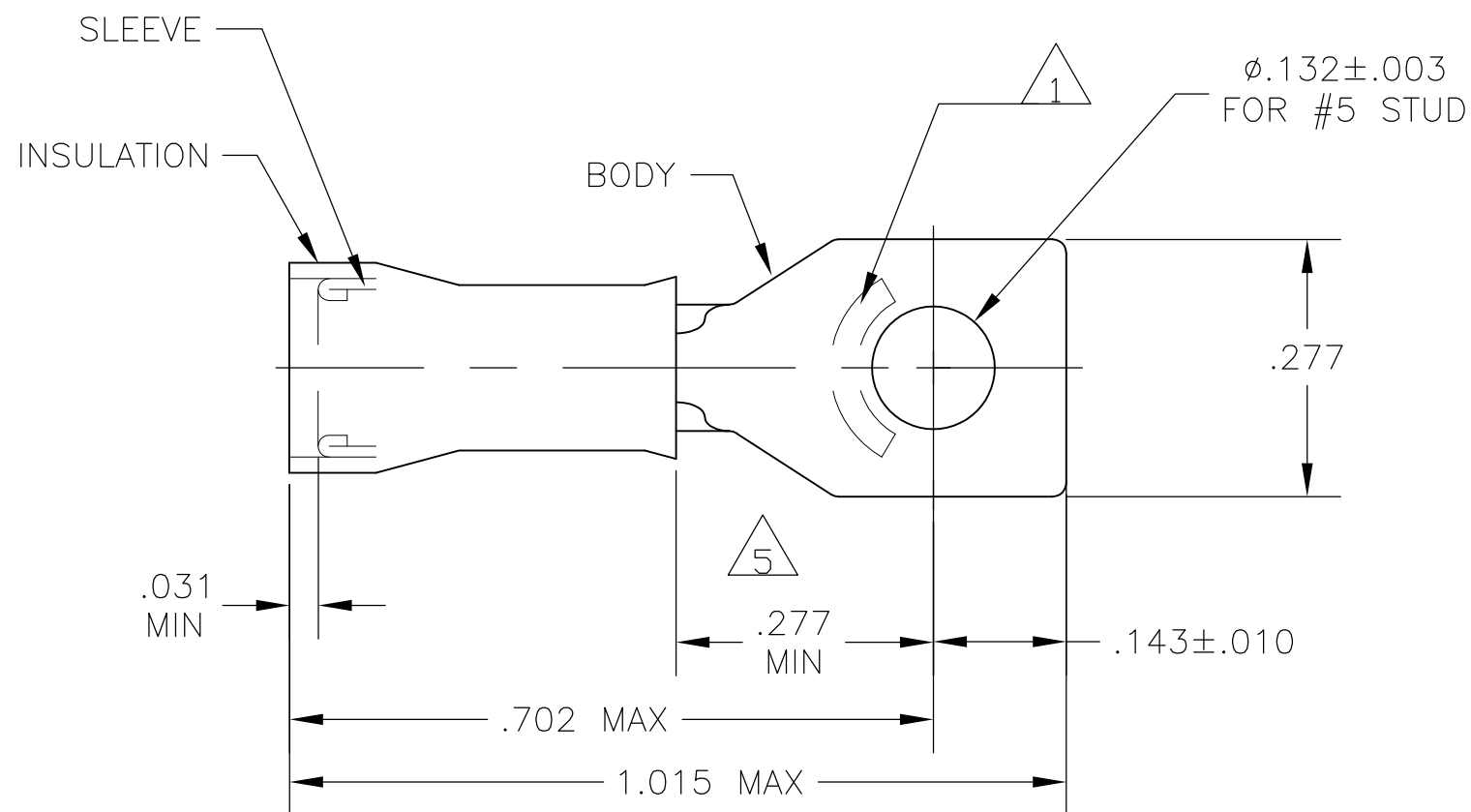


THIS DRAWING IS UNPUBLISHED. RELEASED FOR PUBLICATION  
 © COPYRIGHT BY TYCO ELECTRONICS CORPORATION. ALL RIGHTS RESERVED.

| LOC | DIST | REVISIONS |     |                       |         |     |      |
|-----|------|-----------|-----|-----------------------|---------|-----|------|
|     |      | P         | LTR | DESCRIPTION           | DATE    | DWN | APVD |
| G   | 14   |           | F1  | REV PER ECR 10-000871 | 13JAN10 | JR  | TM   |

|                                |                                |                                |
|--------------------------------|--------------------------------|--------------------------------|
| <b>AMP</b><br>WIRE RANGE       | E13288<br>Listed               | LR7189<br>Certified            |
| 22-16 AWG<br>SOLID OR STRANDED | 22-16 AWG<br>SOLID OR STRANDED | 22-16 AWG<br>SOLID OR STRANDED |



- 1 STAMP "AMP 22-18\*", APPROX AS SHOWN  
22-16 TERMINALS ARE STAMPED 22-18 IN  
ACCORDANCE WITH MILITARY SPEC AS7928,  
COMMERCIAL WIRE RANGE IS 22-16
- 2 WIRE INSULATION DIA: .105-.140
- 3 TONGUE MATERIAL THK: .031±.002
- 4 BODY & SLEEVE: CU PER ASTM B152  
BODY & SLEEVE: TIN PLATE .000100 MIN  
EXT THK PER ASTM B545  
INSULATION: NYLON PER ASTM D4066, COLOR - RED
- 5 APPLIES FROM EDGE OF METAL WIRE BARREL  
TO CENTER OF STUD HOLE.
- 6 MEETS MS17143-10, CLASS 1 & 2

|     |              |                 |            |
|-----|--------------|-----------------|------------|
| 500 | LOOSE PIECE  |                 | 2-327950-1 |
| QTY | PACKAGE TYPE | MATERIAL FINISH | PART NO    |

|  |  |   |  |  |                                  |  |                    |
|--|--|---|--|--|----------------------------------|--|--------------------|
| <b>CUSTOMER SERVICE SYSTEMS</b>  |  | MAX RECOMMENDED OPERATING TEMPERATURE:<br>105°C MAX   | THIS DRAWING IS A CONTROLLED DOCUMENT. |  | DWN<br>JR RUTH<br>13JAN10        | Tyco Electronics Corporation<br>Harrisburg, Pa 17105-3608    |                    |
| FOR ADDITIONAL PRODUCT INFORMATION OR COPIES OF DRAWINGS AND TECHNICAL DOCUMENTS | PRODUCT INFORMATION CENTER<br>1-800-522-6752 | VOLTAGE RATING:<br>300 V MAX  | DIMENSIONS:<br>INCHES                  | TOLERANCES UNLESS OTHERWISE SPECIFIED:   | CHK<br>T MICHIELUTTI<br>13JAN10  | NAME<br>TERMINAL, RING TONGUE, PIDG,<br>WIRE SIZE: 22-16 AWG |                    |
| FOR APPLICATION TOOLING INFORMATION  | TOOLING ASSISTANCE CENTER<br>1-800-722-1111  | CIRCULAR MIL AREA:<br>0.26-1.65mm² [509-3,260]<br>STRANDED OR SOLID   |  | 0 PLC ± -<br>1 PLC ± -<br>2 PLC ± -<br>3 PLC ± .008<br>4 PLC ± -<br>ANGLES ± - | APVD<br>T MICHIELUTTI<br>13JAN10 | PRODUCT SPEC   | SIZE<br>A3         |
| FOR ORDER ENTRY  | 1-800-526-5142                               | THIS DRAWING IS A CONTROLLED DOCUMENT FOR AMP INCORPORATED. IT IS SUBJECT TO CHANGE AND THE CONTROLLING ENGINEERING ORGANIZATION SHOULD BE CONTACTED FOR THE LATEST REVISION. | MATERIAL<br>SEE TABLE                  | FINISH<br>SEE TABLE  | APPLICATION SPEC                 | WEIGHT<br>-  | CAGE CODE<br>00779 |
|  |  |   |  |  | DRAWING NO<br>G-327950           |  | RESTRICTED TO<br>- |
|  |  |   |  |  | CUSTOMER DRAWING                 |  | SCALE<br>5:1       |
|  |  |   |  |  |                                  |  | SHEET<br>1 OF 1    |
|  |  |   |  |  |                                  |  | REV<br>F1          |

## X-ON Electronics

Largest Supplier of Electrical and Electronic Components

*Click to view similar products for [Terminals](#) category:*

*Click to view products by [TE Connectivity](#) manufacturer:*

Other Similar products are found below :

[00-054007-01074-6](#) [00-054007-70206-1](#) [00-054007-70210-8](#) [00-054007-70217-7](#) [00-054007-70226-9](#) [00-054007-70228-3](#) [00-054007-70248-1](#) [00-054007-70256-6](#) [00-054007-70301-3](#) [00-054007-70316-7](#) [00-054007-49560-4](#) [00-054007-70209-2](#) [00-054007-70225-2](#) [00-054007-70227-6](#) [00-054007-70231-3](#) [00-054007-70241-2](#) [00-054007-70242-9](#) [00-054007-70244-3](#) [00-054007-70246-7](#) [00-054007-70263-4](#) [00-054007-70288-7](#) [00-054007-70290-0](#) [00-054007-70300-6](#) [00-054007-70304-4](#) [01-2065-1-0216](#) [01-2900-1-04412](#) [00581P0075](#) [600TS-10](#) [60205-1](#) [604200-1](#) [605601-1](#) [60598-1-CUT-TAPE](#) [61314-6-C](#) [61810-3](#) [61-S](#) [61-SN](#) [626-0194](#) [62-NBM-A](#) [62-SN](#) [62-SP](#) [63-S](#) [640179-1](#) [M55155/059I03](#) [M55155/079C01](#) [M55155/099H02](#) [M55155/109H01](#) [M55155/109H02](#) [M55155/12XH05](#) [M55155/16XH02](#) [M55155/29-5S](#)