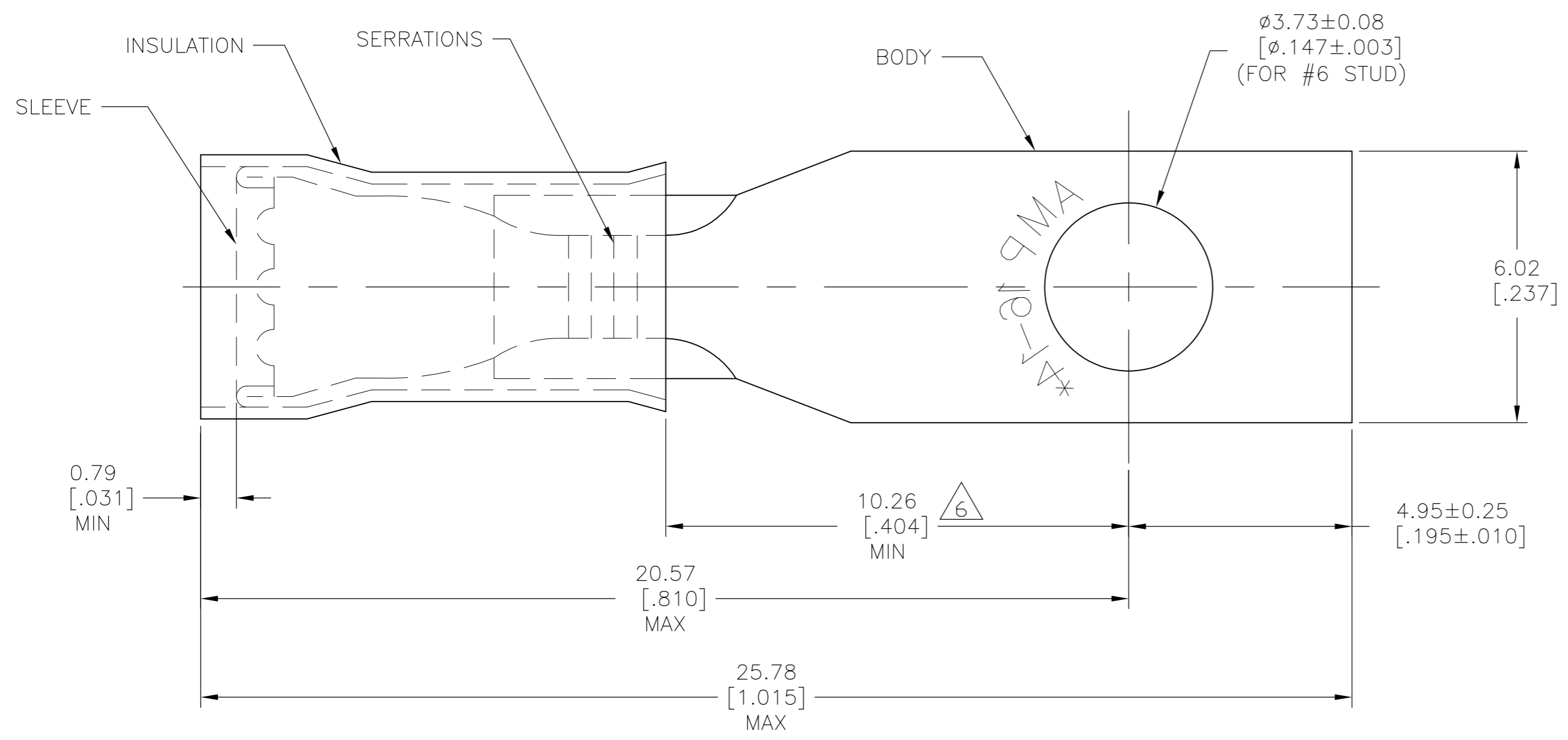


THIS DRAWING IS UNPUBLISHED. RELEASED FOR PUBLICATION
 © COPYRIGHT BY TYCO ELECTRONICS CORPORATION. ALL INTERNATIONAL RIGHTS RESERVED.

LOC		DIST		REVISIONS			
P	LTR	DESCRIPTION		DATE	DWN	APVD	
G	14	P2		REVISED PER ECR-09-026553	04DEC09	JR	TM



- 1 WIRE INSULATION DIAMETER: SEE TABLE
- 2 TONGUE MATERIAL THK: $0.79 \pm .05$ $[\ .031 \pm .002]$
- 3 FINISH: 0.00254 $[\ .000100]$ MIN THK TIN PLATE (ASTM-B545)
- 4 PVC - BLUE
- 5 NYLON ASTM-D4066 TYPE 1 - BLUE
- 6 APPLIES FROM THE METAL EDGE OF THE BARREL TO THE CENTER OF THE STUD
- 7 MEETS MS17143-14, CLASS 1 & 2

OBSOLETE	3	5	2.67-3.81 [.105-.150]	100	ON TAPE, SMALL BOX	2-327958-7
SUPERSEDED BY 2-327958-1	3	5	2.67-3.81 [.105-.150]	1000	ON TAPE, LARGE BOX	2-327958-6
SUPERSEDED BY 2-327958-4	3	5	2.67-3.81 [.105-.150]	5000	ON TAPE, REEL	2-327958-5
	3	5	2.67-3.81 [.105-.150]	-	LOOSE PIECE	7 2-327958-4
OBSOLETE	3	5	2.92-4.32 [.115-.170]	5000	ON TAPE, REEL	2-327958-2
	3	5	2.92-4.32 [.115-.170]	-	LOOSE PIECE	2-327958-1
SUPERSEDED BY 2-327958-1	3	4	2.92-4.32 [.115-.170]	-	LOOSE PIECE	327958

BODY FINISH	INSULATION MATERIAL	WIRE INSULATION DIAMETER	QTY	DESCRIPTION	PART NO
THIS DRAWING IS A CONTROLLED DOCUMENT.					
DIMENSIONS: mm [INCHES]			TOLERANCES UNLESS OTHERWISE SPECIFIED:		
0 PLC ± -			1 PLC ± -		
1 PLC ± -			2 PLC ± -		
2 PLC ± -			3 PLC ± 0.20 [.008]		
3 PLC ± -			4 PLC ± -		
4 PLC ± -			ANGLES ± -		
MATERIAL BODY & SLEEVE COPPER (ASTM-B152)			FINISH SEE TABLE		
DWN RAGHAVENDRA 01SEP09			CHK JEFF RUTH 01SEP09		
APVD TOM MICHELUTTI 01SEP09			PRODUCT SPEC		
APPLICATION SPEC			WEIGHT -		
CUSTOMER DRAWING			SCALE 10:1		
Tyco Electronics		Tyco Electronics Corporation Harrisburg, PA 17105-3608		NAME	
SIZE A2		CAGE CODE 00779		DRAWING NO C=327958	
RESTRICTED TO		SHEET 1 OF 1		REV P2	

327958

A

X-ON Electronics

Largest Supplier of Electrical and Electronic Components

Click to view similar products for [Terminals](#) category:

Click to view products by [TE Connectivity](#) manufacturer:

Other Similar products are found below :

[00-054007-01074-6](#) [00-054007-70206-1](#) [00-054007-70210-8](#) [00-054007-70217-7](#) [00-054007-70226-9](#) [00-054007-70228-3](#) [00-054007-70248-1](#) [00-054007-70256-6](#) [00-054007-70301-3](#) [00-054007-70316-7](#) [0-0320562-0](#) [00-054007-49560-4](#) [00-054007-70209-2](#) [00-054007-70225-2](#) [00-054007-70227-6](#) [00-054007-70231-3](#) [00-054007-70241-2](#) [00-054007-70242-9](#) [00-054007-70244-3](#) [00-054007-70246-7](#) [00-054007-70263-4](#) [00-054007-70288-7](#) [00-054007-70290-0](#) [00-054007-70300-6](#) [00-054007-70304-4](#) [01-2065-1-0216](#) [01-2900-1-04412](#) [00581P0075](#) [600TS-10](#) [60205-1](#) [604200-1](#) [605601-1](#) [60598-1-CUT-TAPE](#) [61314-6-C](#) [61810-3](#) [61-S](#) [61-SN](#) [626-0194](#) [62-NBM-A](#) [62-SN](#) [62-SP](#) [63-S](#) [640179-1](#) [M55155/059I03](#) [M55155/079C01](#) [M55155/099H02](#) [M55155/109H01](#) [M55155/109H02](#) [M55155/12XH05](#) [M55155/16XH02](#)