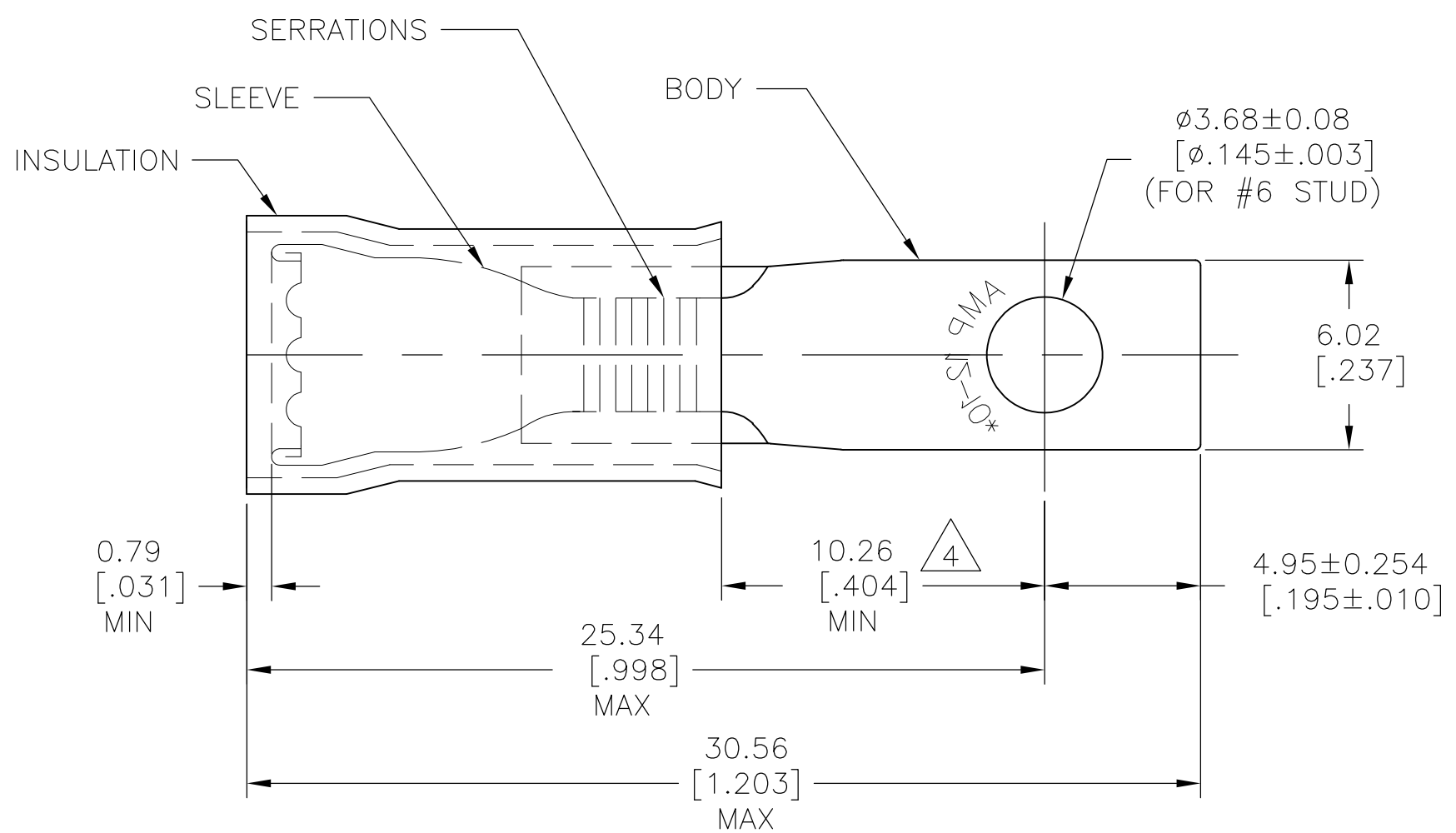


THIS DRAWING IS UNPUBLISHED. RELEASED FOR PUBLICATION  
 © COPYRIGHT - By - ALL RIGHTS RESERVED.

LOC	DIST	REVISIONS					
G	14	P	LTR	DESCRIPTION	DATE	DWN	APVD
			K3	REVISED PER ECO-11-004917	11MAR11	RK	HMR



- 1 TONGUE MATERIAL THK: 1.02±0.05[.040±.002]
- 2 FOR 3.81[.150] TO 5.84[.230] WIRE INSULATION DIA
- 3 SUPERSEDED BY 2-327960-1
- 4 APPLIES FROM THE METAL EDGE OF THE BARREL TO THE CENTER OF THE STUD
- 5 MEETS MS17143-15, CLASS 1 & 2
- 6 MEETS MS17143-15, CLASS 2

QTY	DESCRIPTION	MATERIAL & FINISH	PART NO
1	ON TAPE	BODY & SLEEVE: COPPER (ASTM-B152) TIN PL (ASTM-B545)	6 2-327960-2
OBSOLETE 1	2-327960-1 ON TAPE	INSULATION: NYLON (ASTM-D4066) TYPE 1 COLOR: YELLOW	<del>2-327960-3</del>
1	WIRE TERMINAL		5 2-327960-1
1	WIRE TERMINAL	BODY: COPPER (ASTM-B152) TIN PL (ASTM-B545) SLEEVE: COPPER (ASTM-B152) INSULATION: PVC COLOR: YELLOW	3 327960

THIS DRAWING IS A CONTROLLED DOCUMENT.		DWN RAGHAVENDRA 01SEP09	<b>STE</b> TE Connectivity	
DIMENSIONS: mm [INCHES]		CHK JEFF RUTH 01SEP09		
TOLERANCES UNLESS OTHERWISE SPECIFIED:		APVD TOM MICHIELUTTI 01SEP09	NAME	
0 PLC ± -		PRODUCT SPEC	WIRE TERMINAL	
1 PLC ± -		APPLICATION SPEC	PIDG - RECTANGULAR TONGUE	
2 PLC ± -		WEIGHT -	SIZE A3	CAGE CODE 00779
3 PLC ± 0.20 [.008]			DRAWING NO C-327960	RESTRICTED TO -
4 PLC ± -			SCALE 5:1	SHEET 1 OF 1
ANGLES ± 5°			REV K3	
MATERIAL SEE TABLE	FINISH SEE TABLE	CUSTOMER DRAWING		

## X-ON Electronics

Largest Supplier of Electrical and Electronic Components

*Click to view similar products for [Terminals](#) category:*

*Click to view products by [TE Connectivity](#) manufacturer:*

Other Similar products are found below :

[00-054007-01074-6](#) [00-054007-70206-1](#) [00-054007-70210-8](#) [00-054007-70217-7](#) [00-054007-70226-9](#) [00-054007-70228-3](#) [00-054007-70248-1](#) [00-054007-70256-6](#) [00-054007-70301-3](#) [00-054007-70316-7](#) [0-0320562-0](#) [00-054007-49560-4](#) [00-054007-70209-2](#) [00-054007-70225-2](#) [00-054007-70227-6](#) [00-054007-70231-3](#) [00-054007-70241-2](#) [00-054007-70242-9](#) [00-054007-70244-3](#) [00-054007-70246-7](#) [00-054007-70263-4](#) [00-054007-70288-7](#) [00-054007-70290-0](#) [00-054007-70300-6](#) [00-054007-70304-4](#) [01-2065-1-0216](#) [01-2900-1-04412](#) [00581P0075](#) [600TS-10](#) [60205-1](#) [604200-1](#) [605601-1](#) [60598-1-CUT-TAPE](#) [61314-6-C](#) [61810-3](#) [61-S](#) [61-SN](#) [626-0194](#) [62-NBM-A](#) [62-SN](#) [62-SP](#) [63-S](#) [640179-1](#) [M55155/059I03](#) [M55155/079C01](#) [M55155/099H02](#) [M55155/109H01](#) [M55155/109H02](#) [M55155/12XH05](#) [M55155/16XH02](#)