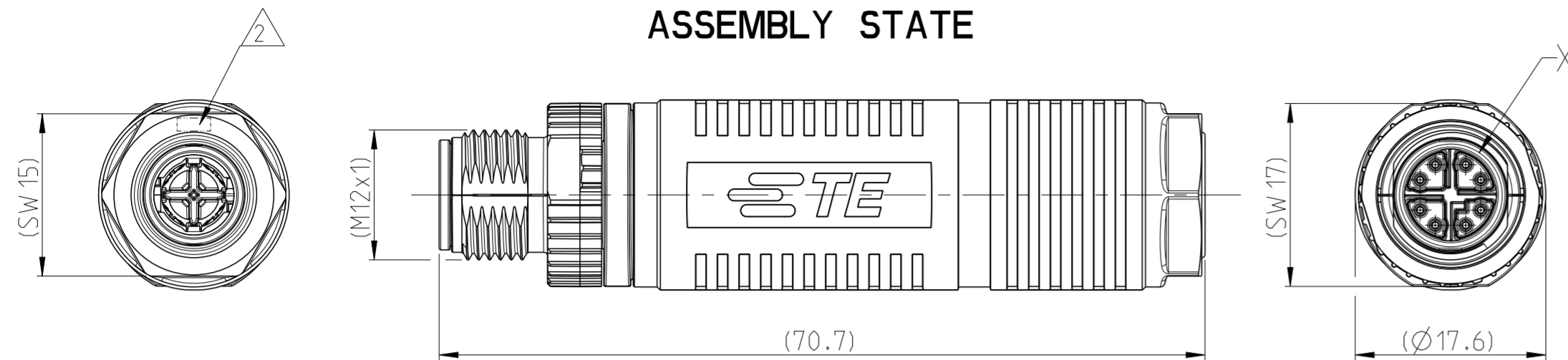
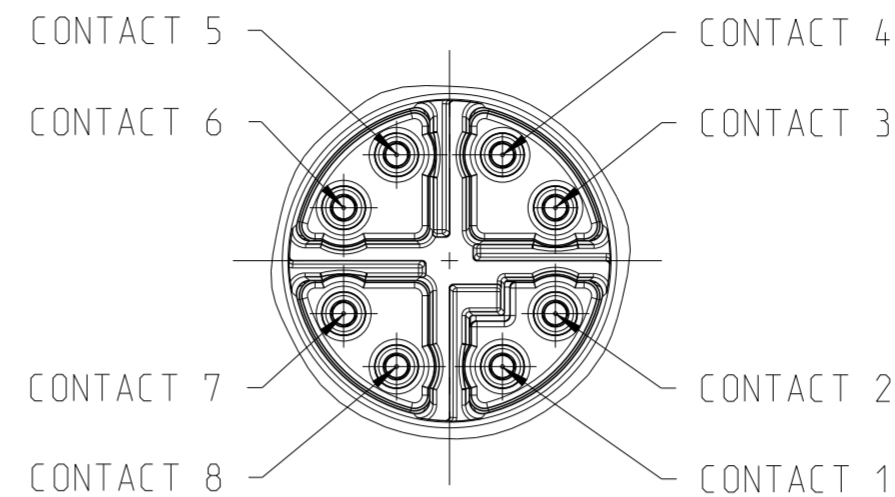


REVISIONS		DATE	DWN	APVD
P	LTR	DESCRIPTION		
1		NEW PELIMINARY DRAWING	ER	EL
2		TEXT REVISED	ER	EL
3		COMPONENTS AND DRAWING UPDATED	ER	JDB
A1		ACTIVATION	ER	JDB

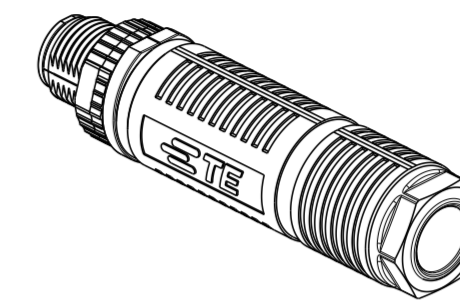
ASSEMBLY STATE



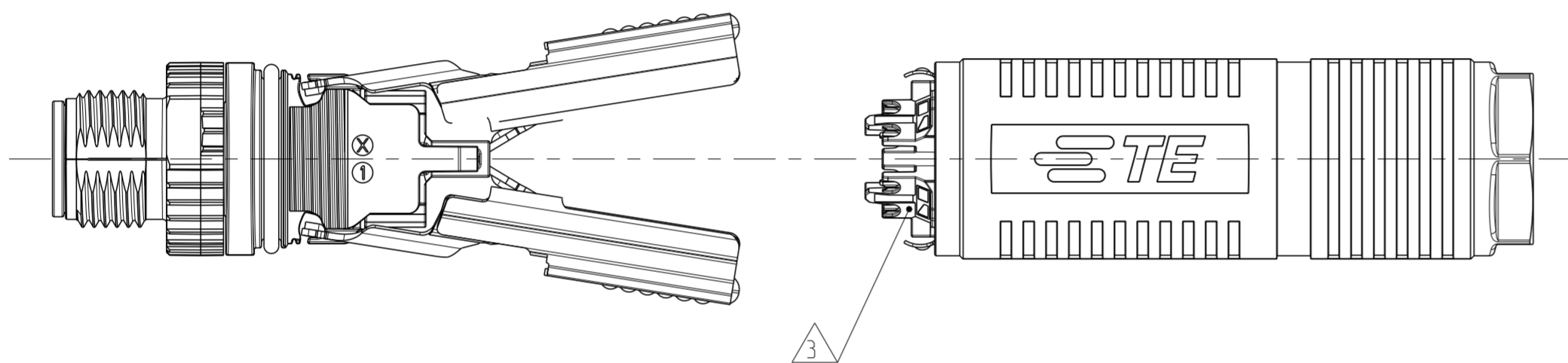
DETAIL X
 SCALE 5:1



SCALE 1:1

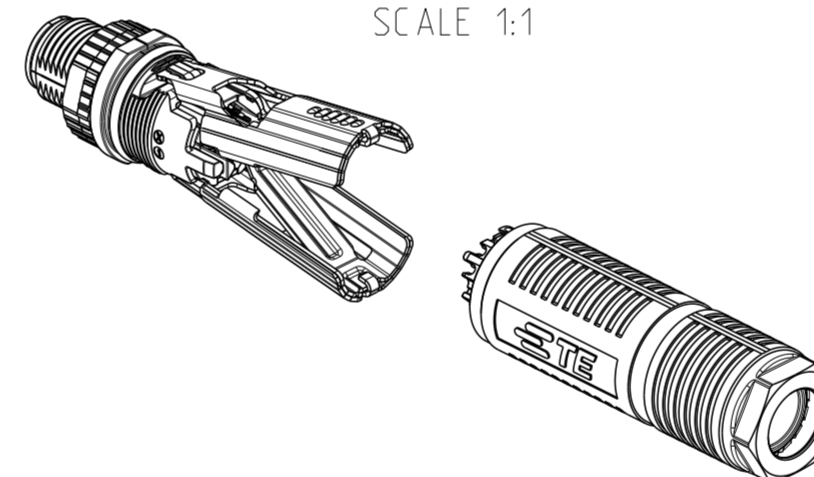


DELIVERY STATE



- 2 MANUFACTURING DATE CODE MARKING:
 YEAR AND WEEK (SEE TABLE)
 AFTER POSITIVE INSPECTION
- 3 FLOATING POSITION
- 4 PACKAGING: 1 PIECE OF EACH COMPONENT
 PACKED IN A FOLDING CARTON
 WITH A INSTRUCTION SHEET
- 6 APPLICATION SEE INSTRUCTION SHEET 408-18019

SCALE 1:1



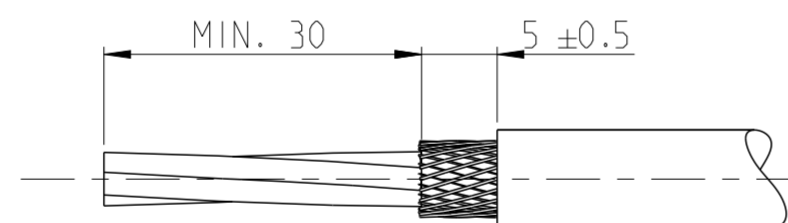
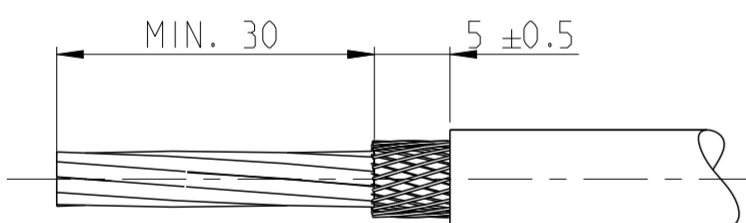
- 1 AS SHOWN

CABLE: 8 POS. AWG 24 AND AWG 26 STRANDED OR SOLID

CABLE: 4 POS. AWG 22 STRANDED OR SOLID

RECOMMENDED STRIPPING LENGTH

RECOMMENDED STRIPPING LENGTH



COLOR ALLOCATION OF M12 X-CODE CONTACT 8 POS. TYPE:

COLOR ALLOCATION OF M12 X-CODE CONTACT 4 POS. TYPE:

CONTACT NO.	COLOR CODE/ WIRE COLOR
1	WHITE/ORANGE
2	ORANGE
3	WHITE/GREEN
4	GREEN
5	WHITE/BROWN
6	BROWN
7	WHITE/BLUE
8	BLUE

CONTACT NO.	COLOR CODE	WIRE COLOR (PROFINET 4P)
1	WHITE/ORANGE	YELLOW
2	ORANGE	ORANGE
3	WHITE/GREEN	WHITE
4	GREEN	BLUE

PRODUCTION DATE CODE		
YEAR	CODE	WEEK
2018	K	01
2019	L	T0
2020	M	52
2021	N	
2022	P	
2023	R	

EXAMPLES: WEEK 22 IN 2018 = K22
 WEEK 3 IN 2020 = M03

TOLERANCING ISO 8015
 GEOMETRIC TOLERANCING ISO 1101
 SIZE ISO 14405
 GENERAL TOLERANCES ISO 2768-K

-			2327989-1	TE CONNECTIVITY ORDER-NO.			
-				1	M12 X-CODE FIELD INSTALLABLE CABLE PLUG WITH INSTRUCTION SHEET	-	-
QUANTITY				DESCRIPTION		SURFACE COLOUR	MATERIAL

DIESE ZEICHNUNG IST EIN KONTROLLIERTES DOKUMENT. BEMASSUNGEN UND TOLERANZEN GEMAESS GPS (ISO STANDARDS).		DWN E. REISS 04 APR 2018		TE Connectivity	
THIS DRAWING IS A CONTROLLED DOCUMENT. DIMENSIONING AND TOLERANCING PER GPS (ISO STANDARDS).		CHK T. LEIJNIGER 04 APR 2018			
DIMENSIONS: MASSE/EINHEITEN: (MM)		APVD E. LEIJTENS 04 APR 2018			
TOLERANCES UNLESS OTHERWISE SPECIFIED: ALLGEMEINTOLERANZEN		PRODUCT SPEC PRODUKTSPEZ. 108-94661		NAME M12 X-CODE CAT6a M12 X-CODE CAT6a	
0 PLC ±0.3 1 PLC ±0.3 2 PLC ±0.3 3 PLC ± 4 PLC ±		APPLICATION SPEC VERARBEITUNGSSPEZ. -		SIZE A2	
MATERIAL		WEIGHT GEWICHT		CAGE CODE 00779	
-		-		DRAWING NO. ZEICHNUNGS-NR. C-2327989	
-		-		RESTRICTED TO NUR FUER	
-		-		SCALE MASSSTAB 2:1	
-		-		SHEET BLATT 1 OF 1	
-		-		REV A1	

X-ON Electronics

Largest Supplier of Electrical and Electronic Components

Click to view similar products for [Circular Metric Connectors](#) category:

Click to view products by [TE Connectivity](#) manufacturer:

Other Similar products are found below :

[600X518037X](#) [6STD15PCR99B70A](#) [8R4000A16M020](#) [8R5000A16M005](#) [1200910002](#) [1203580030](#) [1200910008](#) [1200910011](#) [1300140094](#)
[130203-0054](#) [1300140026](#) [1300150099](#) [RF-12S1N8A90DU](#) [1-3637-600-5205](#) [1612618](#) [21036836414](#) [8R4006A16M010](#) [8R5006A18A120](#)
[1604232](#) [1R3006A20M005](#) [RF-12P1N8A80DU](#) [RF-12P1N8A90DU](#) [41-40011](#) [42-01015](#) [4-22279-4](#) [4-22281-1](#) [4-22284-9](#) [43-01088](#) [43-](#)
[01203](#) [41-40013](#) [42-00008](#) [43-00343](#) [43-01032](#) [43-01162](#) [43-10000](#) [600X518050X](#) [SACC-DSI-FS-5P-PG9-L180 SC](#) [8R5006A16M020](#)
[8R5006A16M005](#) [8R4000A16M010](#) [6-22279-3](#) [1605332](#) [N03FA03144](#) [1300140077](#) [43-01338](#) [XS2RD4265](#) [RSC 4/9](#) [XS2R-D426-1](#)
[XS8A-0441](#) [859RD04-103R004](#)